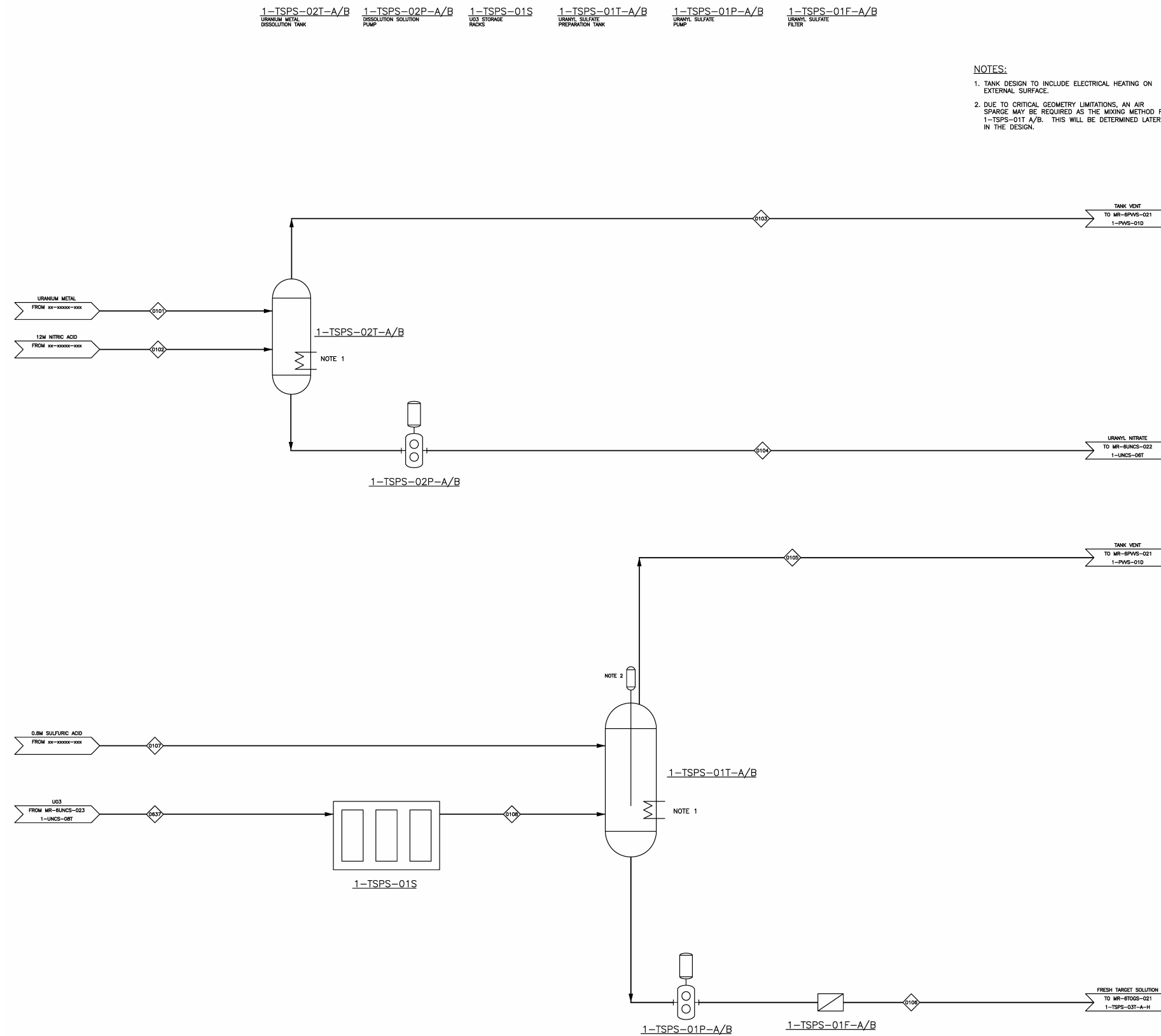


Figure 9b.2-1 – TSPS Flow Diagram



NOTES:

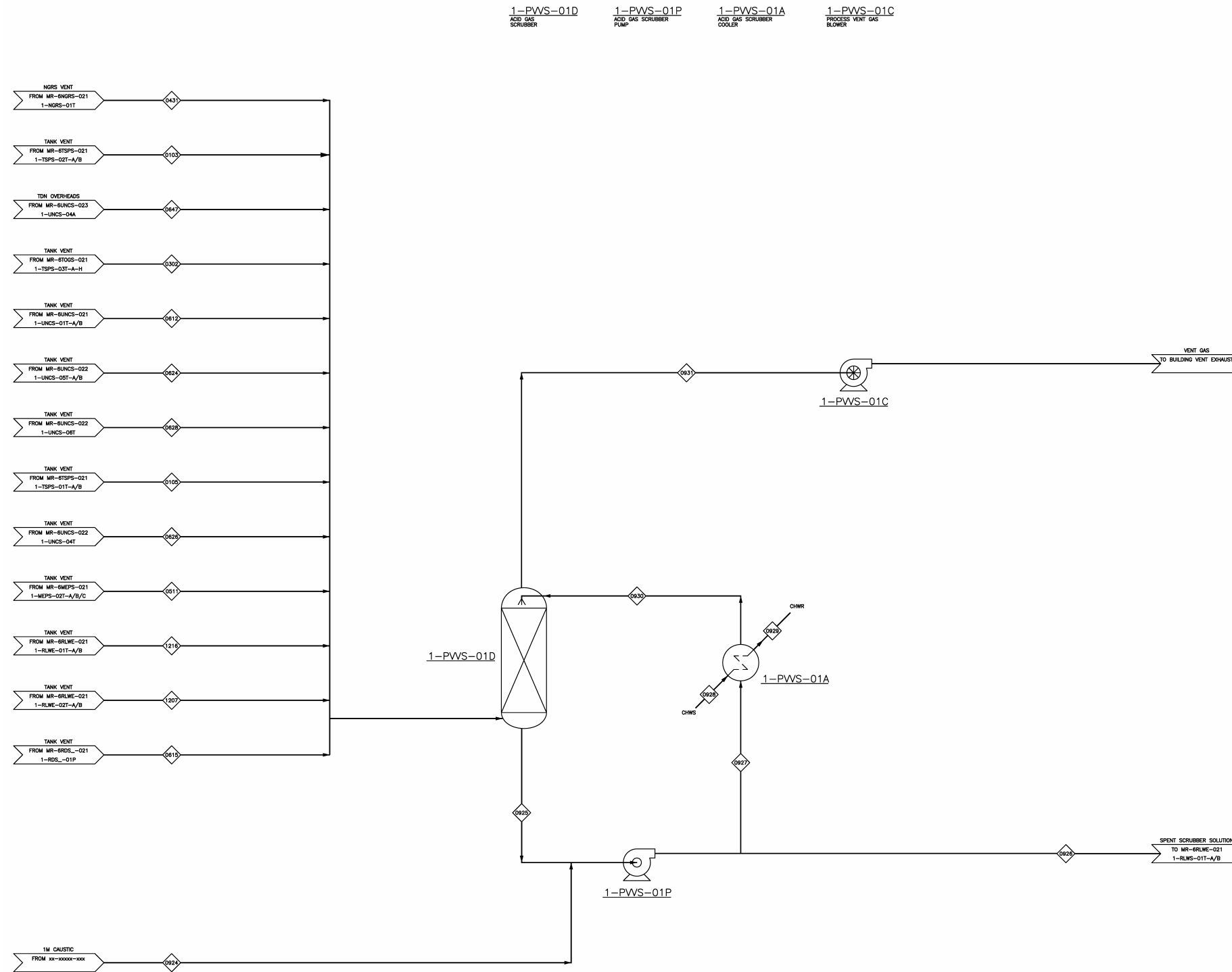
1. TANK DESIGN TO INCLUDE ELECTRICAL HEATING ON EXTERNAL SURFACE.
2. DUE TO CRITICAL GEOMETRY LIMITATIONS, AN AIR SPARGE MAY BE REQUIRED AS THE MIXING METHOD FOR 1-TSPS-01T A/B. THIS WILL BE DETERMINED LATER IN THE DESIGN.

DRAWING SCALE

Figure 9b.2-2 – Uranium Oxide/Metal Storage Rack

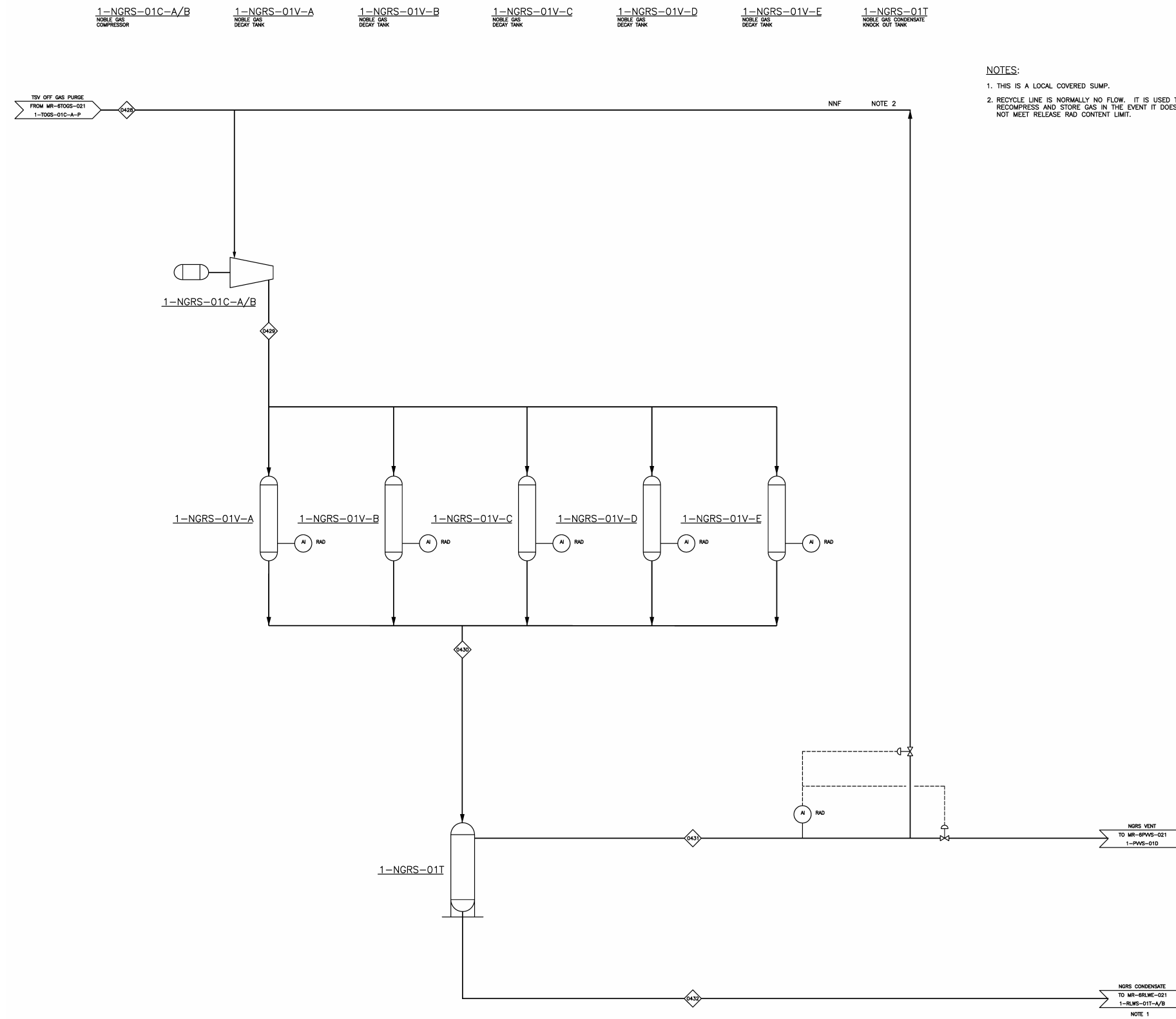
Proprietary Information – Withhold from public disclosure under 10 CFR 2.390(a)(4)
Security-Related Information – Withhold Under 10 CFR 2.390

Figure 9b.6-1 – Process Vessel Vent System (PVVS) Process Flow Diagram



DRAWING SCALE

Figure 9b.6-2 – Noble Gas Removal System (NGRS) Process Flow Diagram



NOTES:

1. THIS IS A LOCAL COVERED SUMP.
2. RECYCLE LINE IS NORMALLY NO FLOW. IT IS USED TO RECOMPRESS AND STORE GAS IN THE EVENT IT DOES NOT MEET RELEASE RAD CONTENT LIMIT.

DRAWING SCALE

Figure 9b.7-1 – Molybdenum Extraction, Purification, and Packaging GA 1

Proprietary Information – Withhold from public disclosure under 10 CFR 2.390(a)(4)
Security-Related Information – Withhold Under 10 CFR 2.390

Figure 9b.7-2 – Molybdenum Extraction, Purification, and Packaging GA 2

Proprietary Information – Withhold from public disclosure under 10 CFR 2.390(a)(4)
Security-Related Information – Withhold Under 10 CFR 2.390

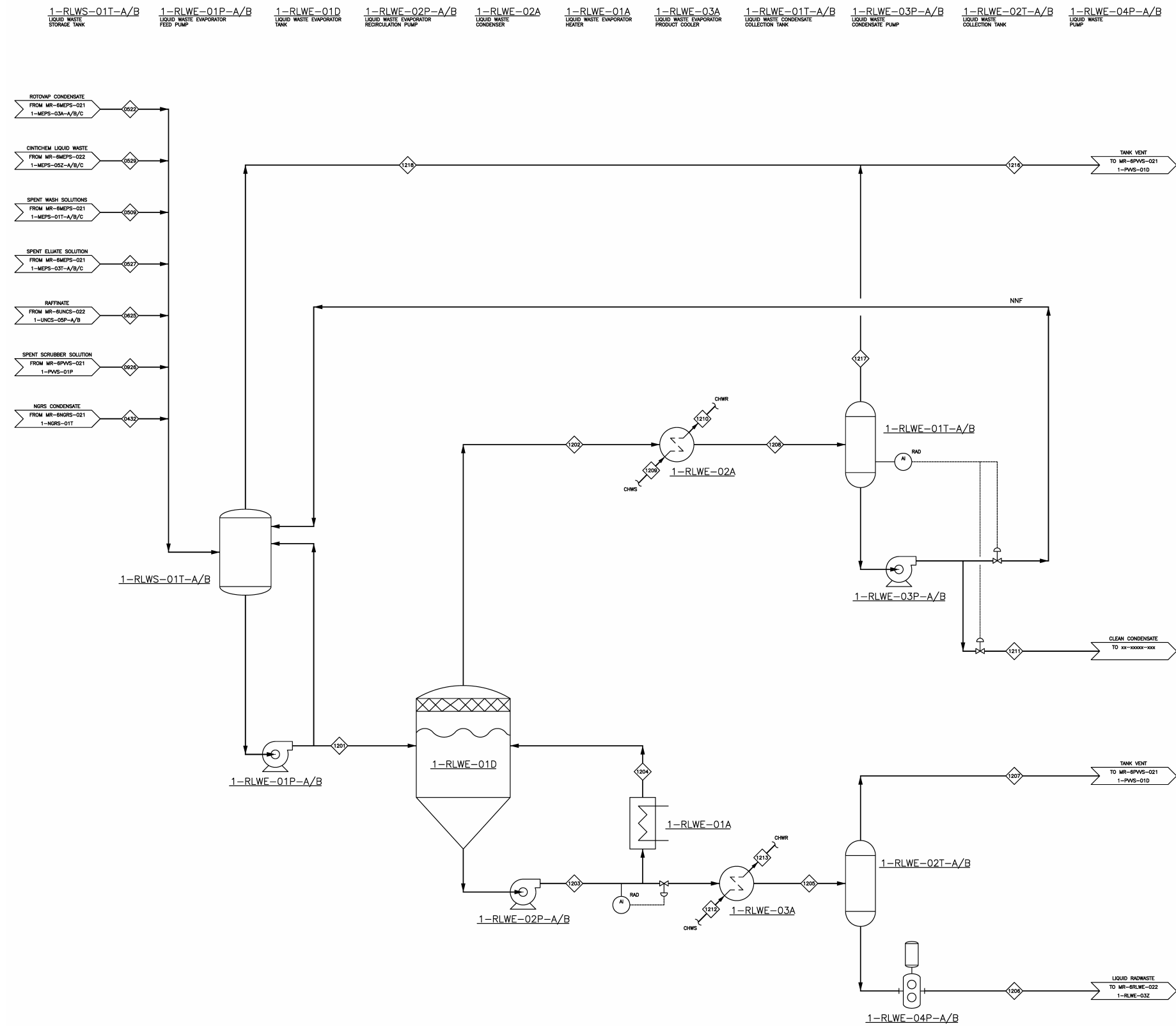
Figure 9b.7-3 – RCA Overhead Crane Locations and Coverage

Proprietary Information – Withhold from public disclosure under 10 CFR 2.390(a)(4)
Security-Related Information – Withhold Under 10 CFR 2.390

Figure 9b.7-4 – RCA Hot Cell Locations

Proprietary Information – Withhold from public disclosure under 10 CFR 2.390(a)(4)
Security-Related Information – Withhold Under 10 CFR 2.390

Figure 9b.7-5 – RLWE Liquid Waste Evaporator and Storage System Process Flow Diagram



DRAWING SCALE

Figure 9b.7-6 – RLWE Liquid Waste Immobilization System Process Flow Diagram

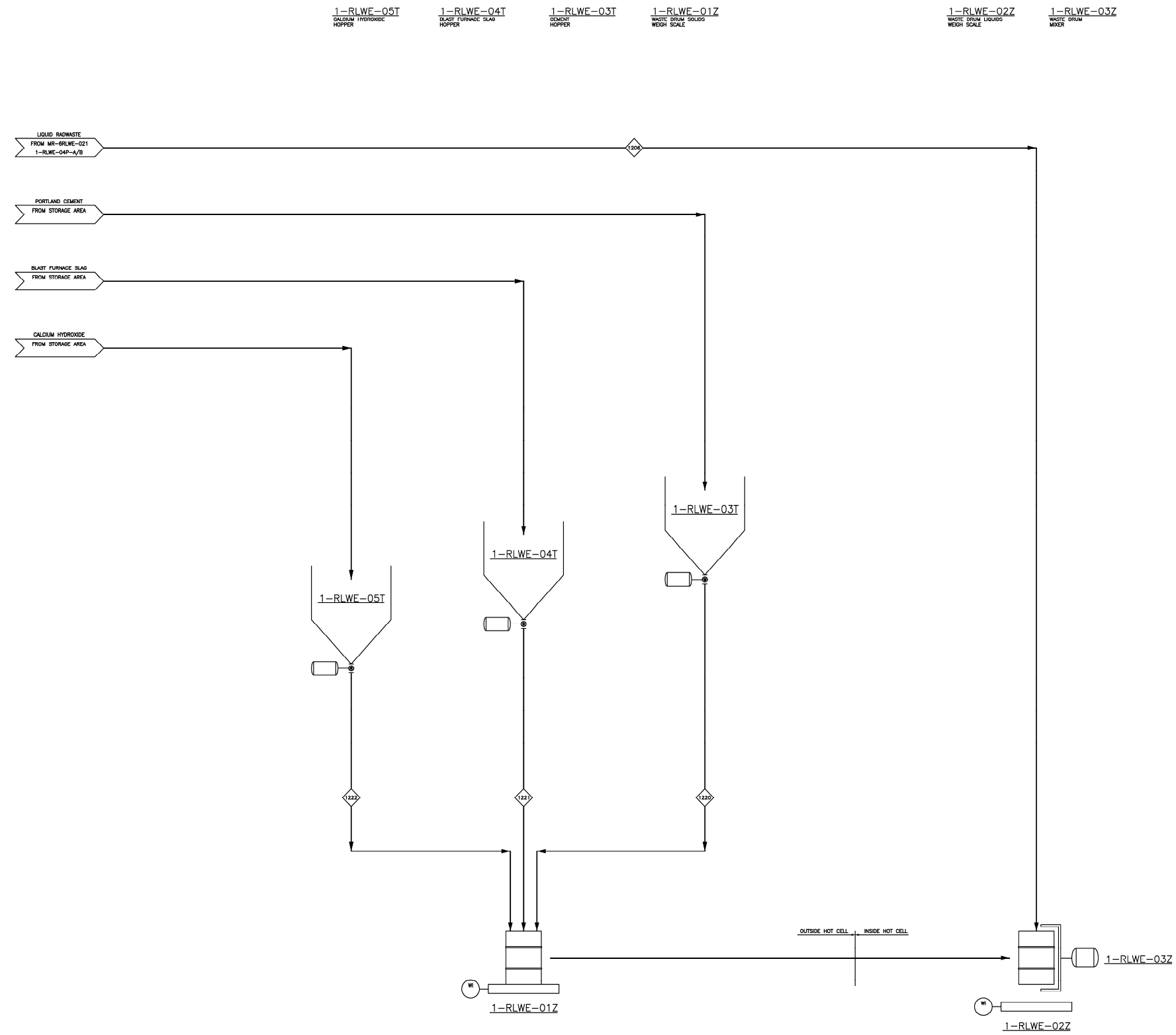


Figure 9b.7-7 – Solid Radioactive Waste Handling Hot Cell Inputs and Outputs

Proprietary Information – Withhold from public disclosure under 10 CFR 2.390(a)(4)

Figure 9b.7-8 – RDS Process Flow Diagram

Proprietary Information – Withhold from public disclosure under 10 CFR 2.390(a)(4)
Security-Related Information – Withhold Under 10 CFR 2.390