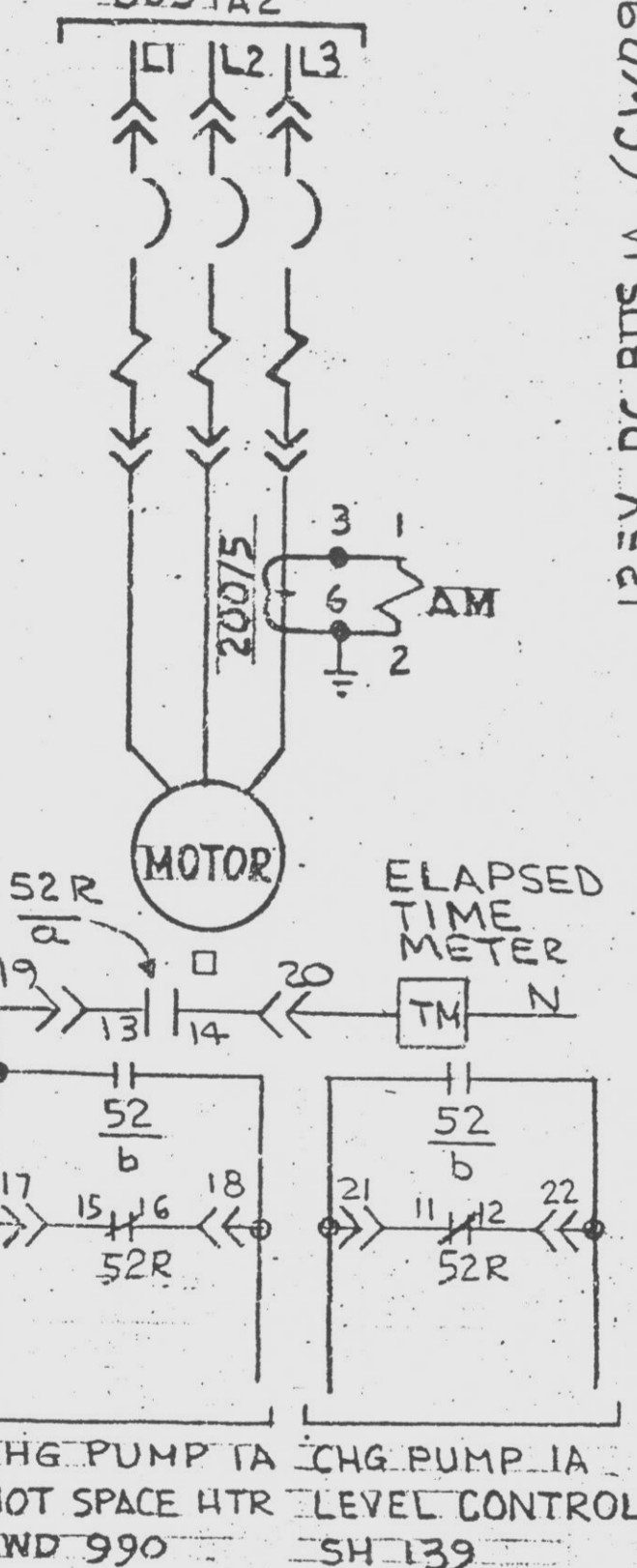


**NOTE**  
 FOR SS/177 ISOLATION SW  
 DEVELOPMENT SEE  
 CWD 983

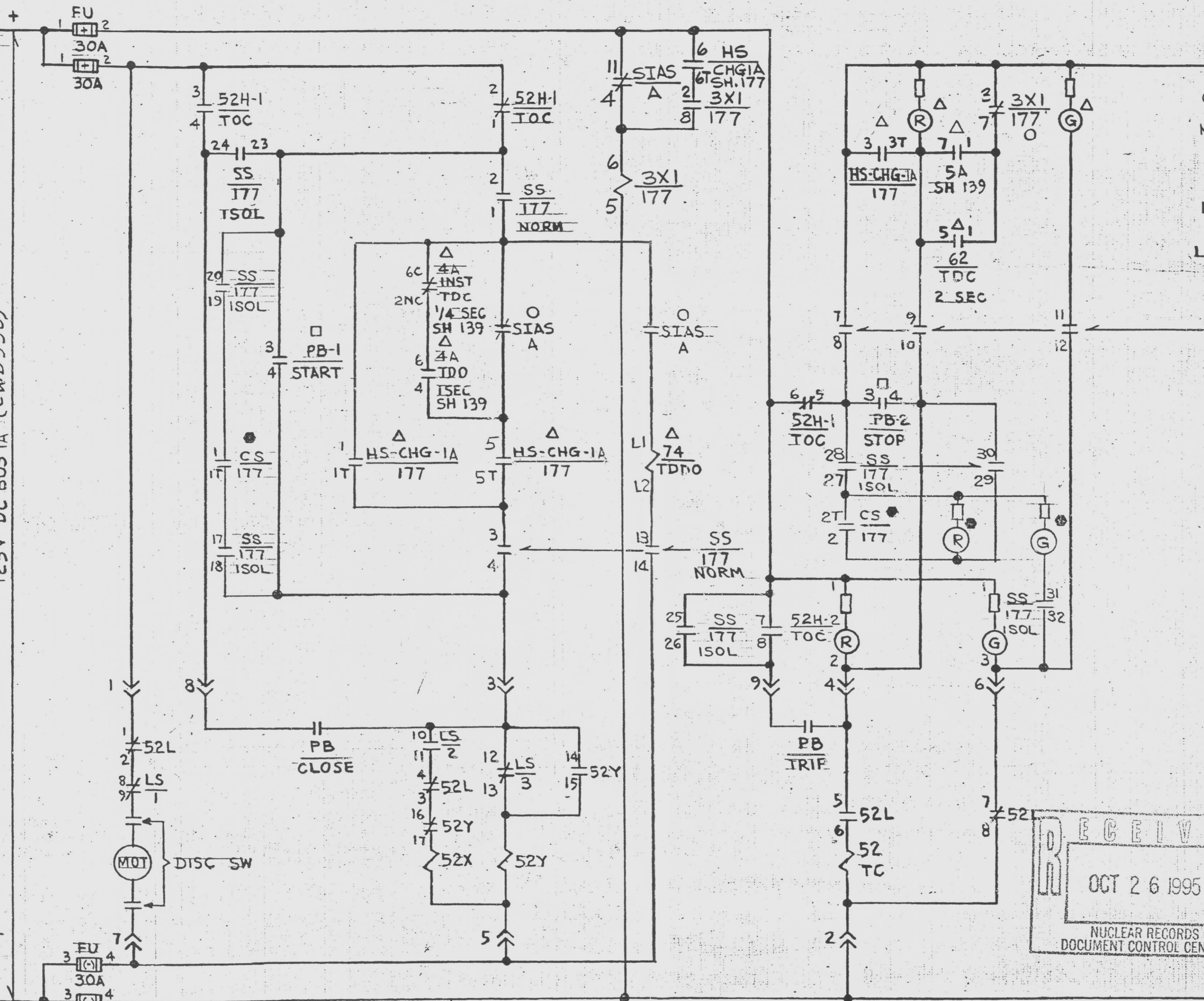
**LOCATION SYMBOLS**

- - ESC SA
  - △ - RTGB-105
  - - LOCAL
  - - HSCP-1A
- ALL EQUIPMENT NOT DESIGNATED  
 BY A SYMBOL IS LOCATED IN  
 480V SWGR 1A2

480V, 3Φ, 60 HZ  
 BUS 1A2



125V DC BUS 1A (CWD990)

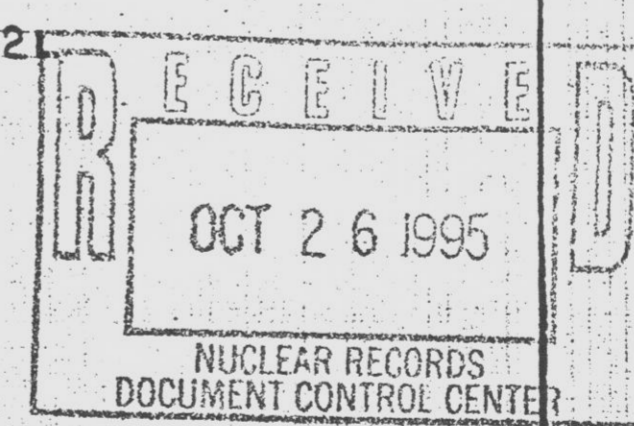
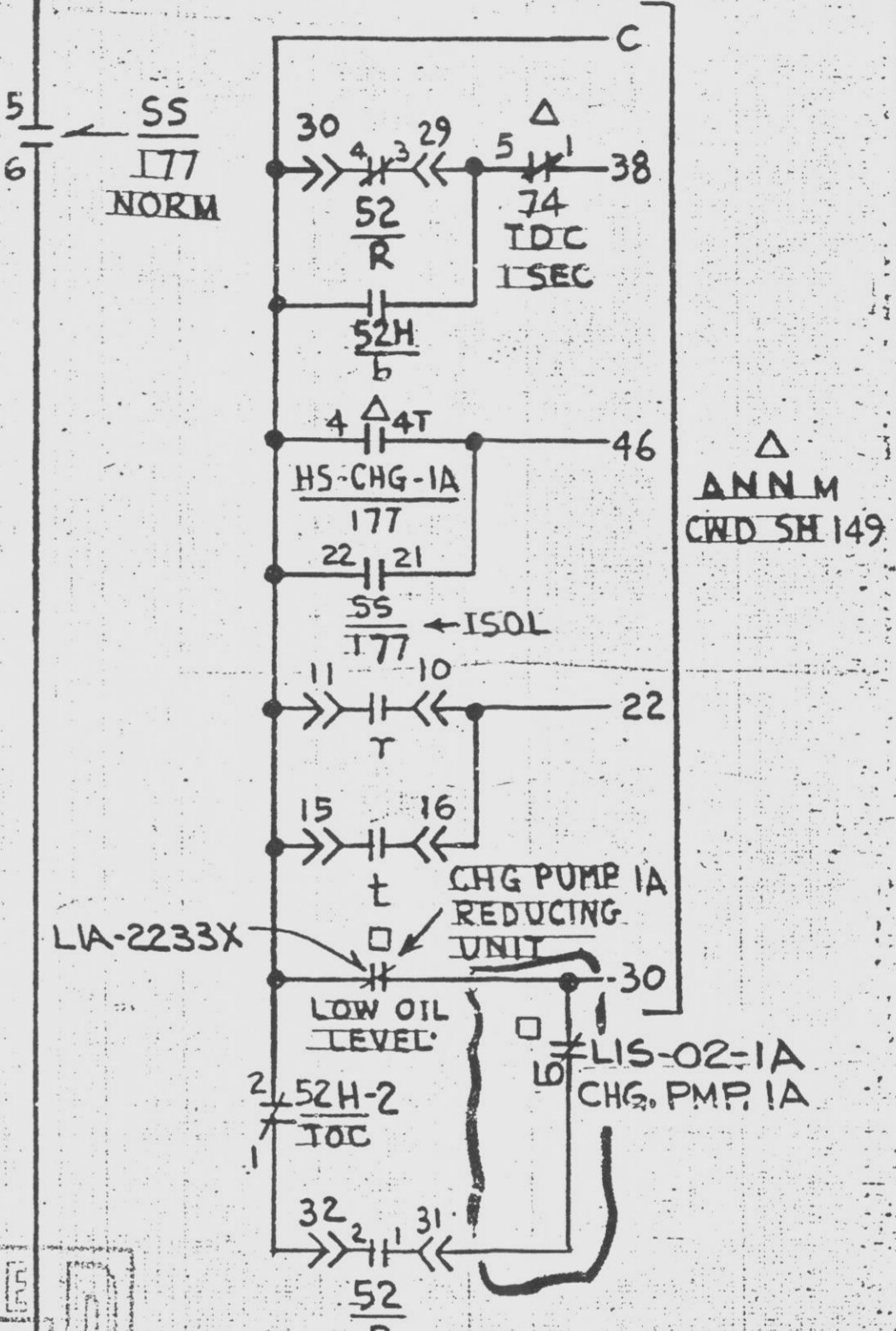


**HS-CHG-1A/177**

CONTACTS		POSITIONS			
HANDLE END	NO.	START	AUTO	STOP	
1T 1 2 2T	1	X			
0+1-0 0+1-0	2	X	X		
3T 3 4 4T	3			X	
0+1-0 0+1-0	4			X	
5T 5 6 6T	5		X		
0+1-0 0+1-0	6		X		

PS-2224X  
 CHG PUMP 1A  
 SUCT PRESS  
 LOW

SPRING RETURN FROM START  
 TO AUTO ONLY  
 MAINTAINED IN STOP POSITION  
 X=CONTACT CLOSED



R5-PCM 52-81E  
 R4-PCM 267-77  
 R3-PCM 512-78

RG-PCM 005-190, R7-PCM 132-189, RB-PCM 131-195

REV	DATE	BY	APPROVED	REV	DATE	BY	APPROVED
8	10/10/95	EM	[Signature]	4	1-18-82	EM	[Signature]
7	1-2-92	CA/MC	[Signature]	3	11-14-79	DV	[Signature]
6	1-6-92	CA/MC	[Signature]	2	12-2-75	DV	[Signature]
5	8-16-83	EM	[Signature]	1	9-11-74	DV	[Signature]

EBASCO SERVICES INCORPORATED  
 NEW YORK

DIV. ELEC DR. RM  
 SCALE + CH. RK  
 DATE SEP 21, 1972

APPROVED  
 RC [Signature]  
 N.Y. 11

FLORIDA POWER & LIGHT CO.  
 HUTCHINSON ISLAND PLANT-UNIT NO.1  
 SCHEMATIC DIAGRAM  
 CHARGING PUMP 1A

8770-B-326  
 SHEET 177

LOAD LIGHT  
 RTGB-101  
 CWD 996

CHG PUMP 1A  
 SEAL LUBE PUMP  
 CWD 173

9701270072 -10

E