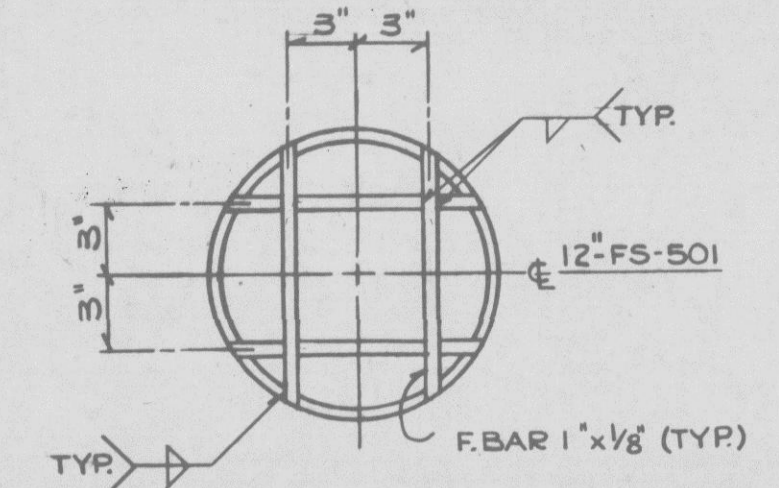
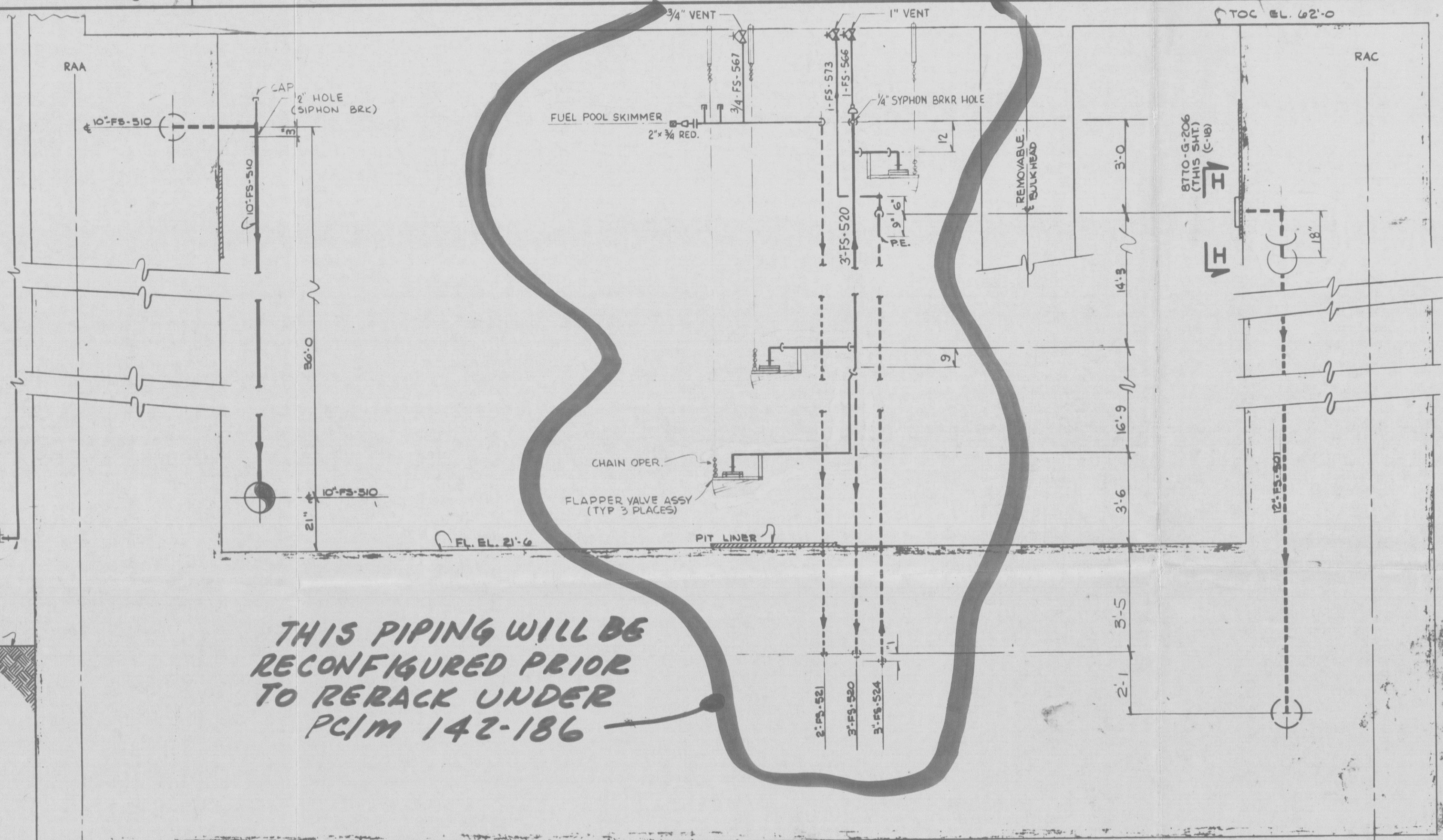
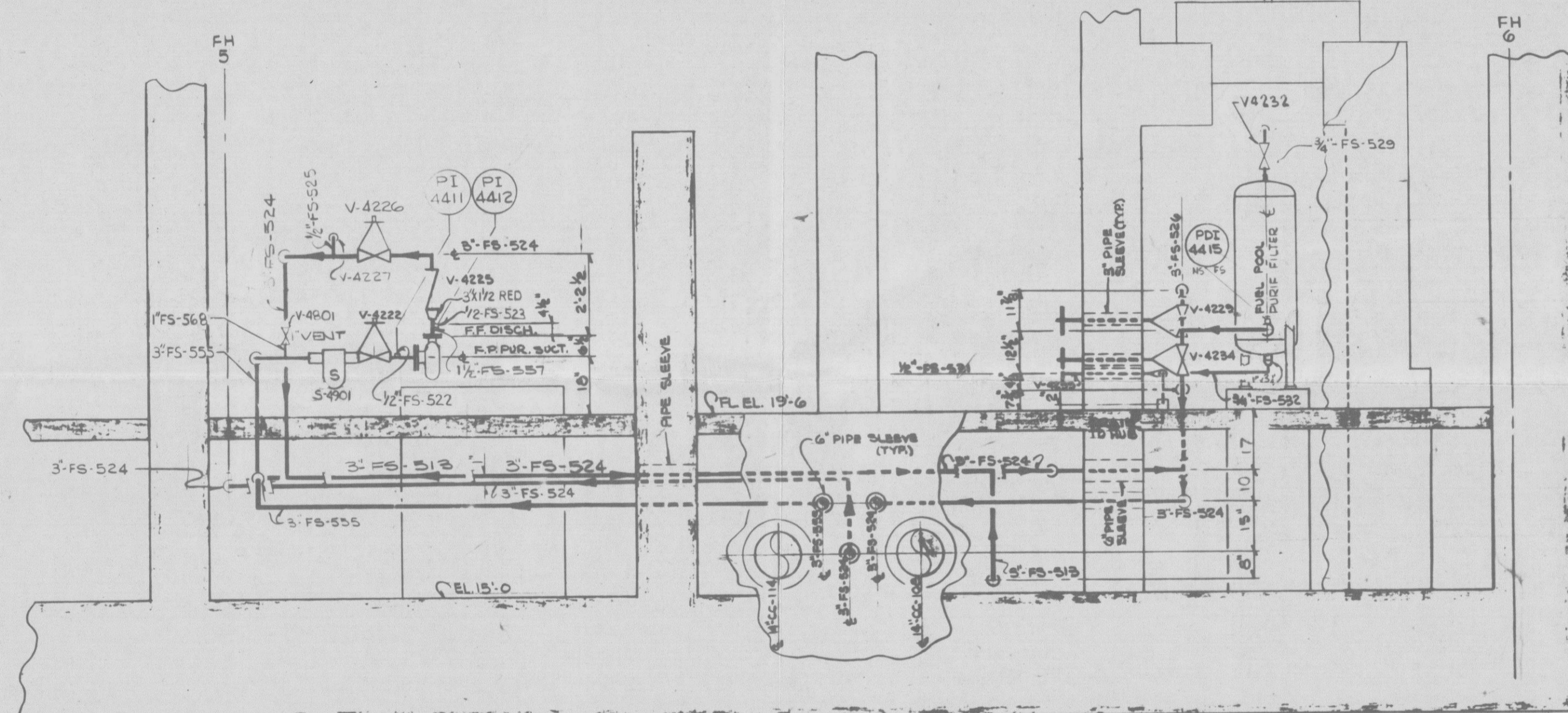


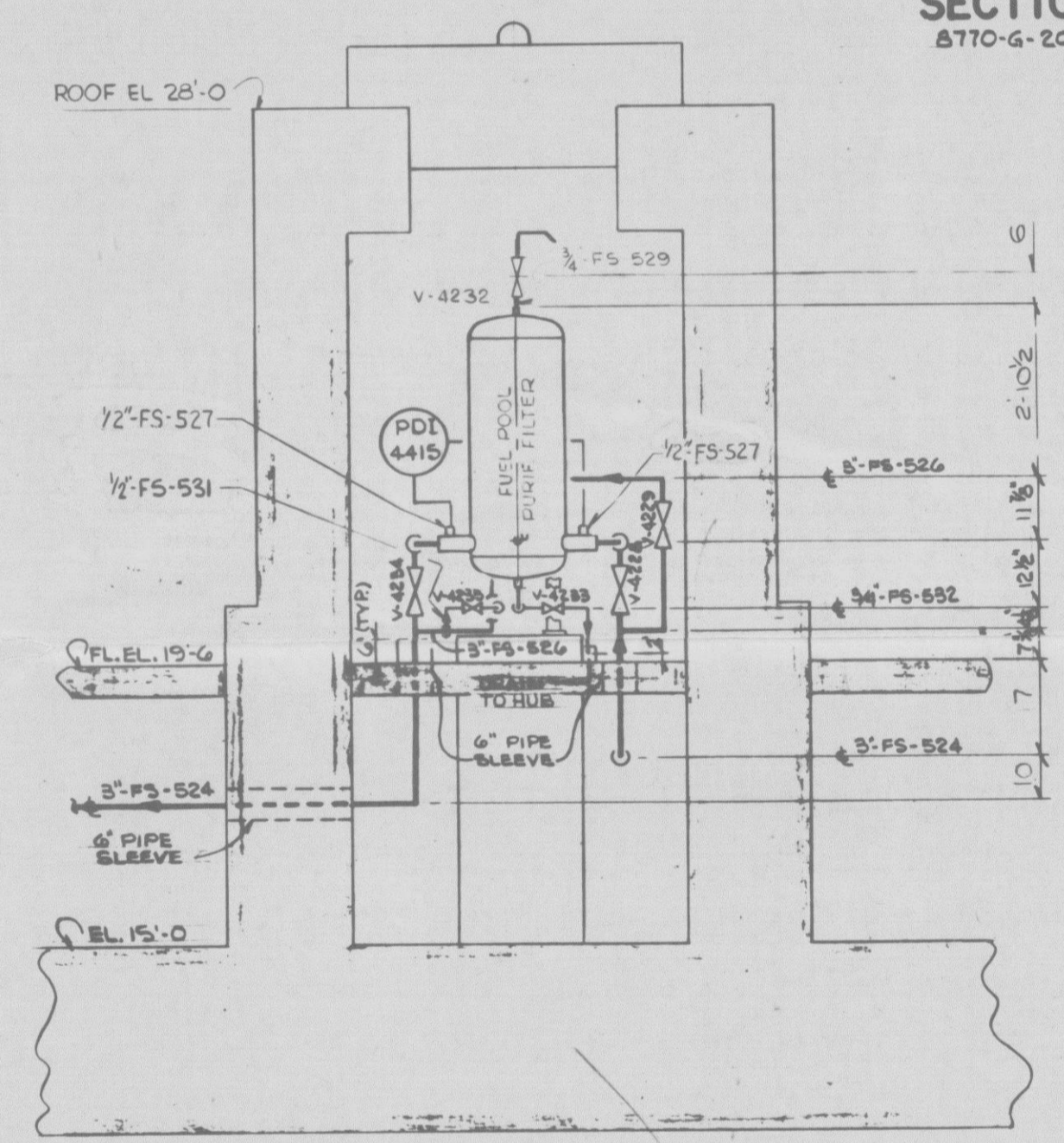
SECTION E-E  
8770-G-206 SH.1 (M-18)



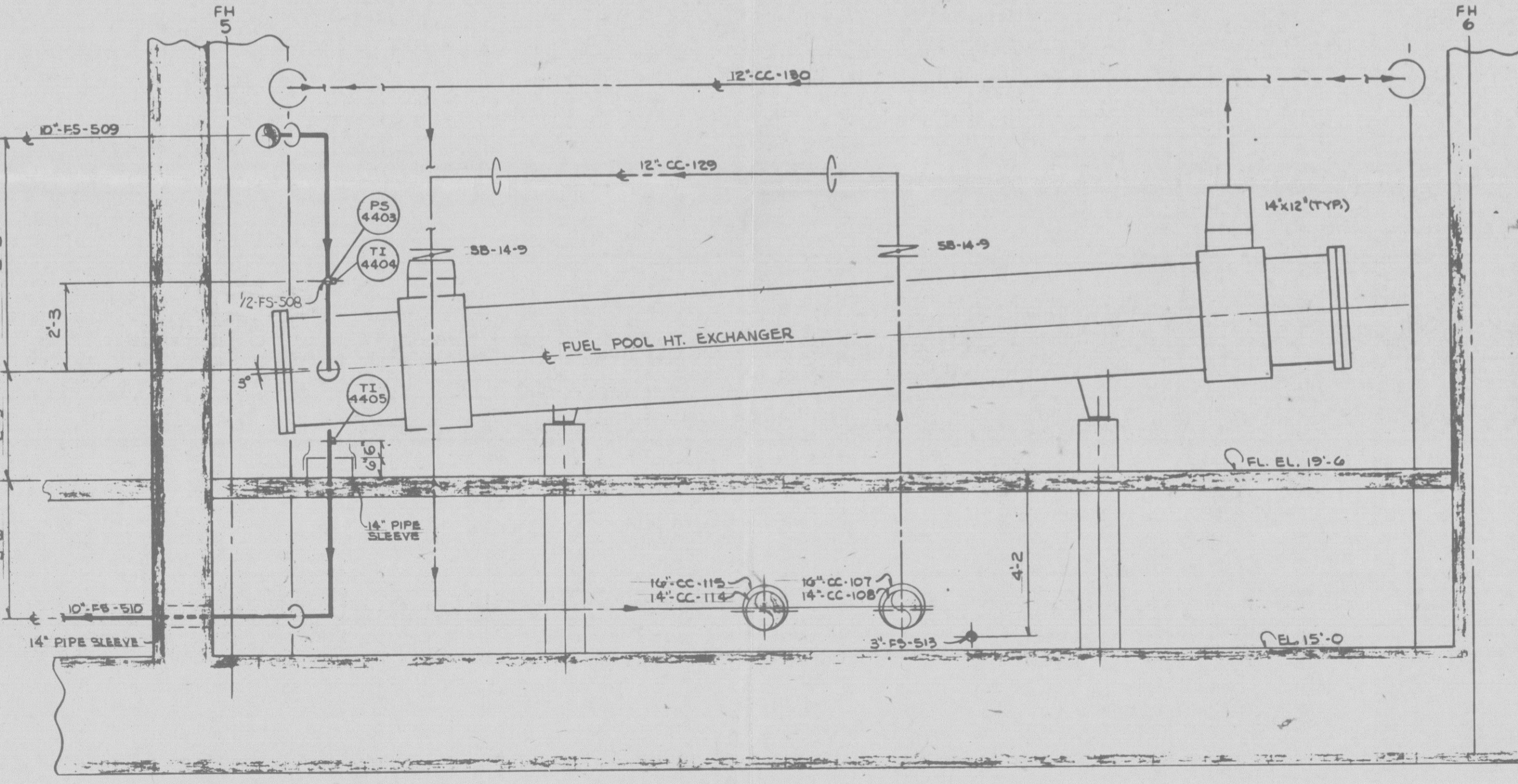
SECTION H-H  
SCALE 1/2"=1'-0"  
8770-G-206 (THIS SHEET)



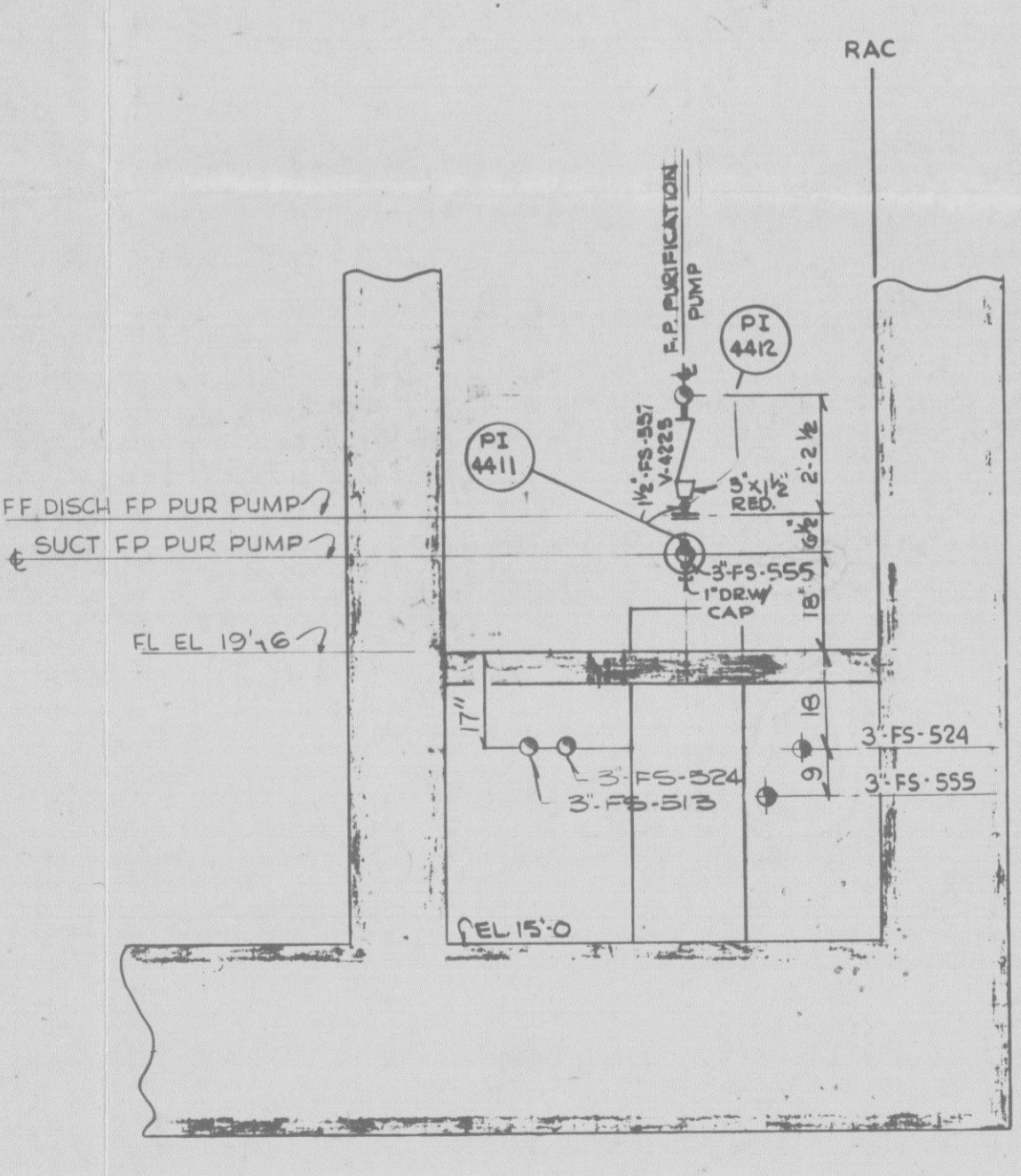
SECTION C-C  
8770-G-206 SH.1 (M-16)



SECTION D-D  
8770-G-206 SH.1 (L-5)



SECTION A-A  
8770-G-206 SH.1 (J-11)



SECTION B-B  
8770-G-206 SH.1 (L-12)

TI  
APERTURE  
CARD

Docket # 50-285  
Contract # 7709110000  
Date 11-13-73  
REGULATORY DOCKET FILE

FLORIDA POWER & LIGHT COMPANY  
HUTCHINSON ISLAND PLANT  
1976 - 890,000 KW INSTALLATION - UNIT NO. 1  
SPENT FUEL PIT COOLANT PIPING  
SECTIONS & DETAILS SHEET 2

EBASCO SERVICES INCORPORATED NEW YORK

SCALE 3/8"=1'-0" NOTED  
APPROVED DATE  
DIV. MECH.  
DR. F. PAGAN SK-83-02-M-003  
CH.

REGULATORY DOCKET FILE COPY

NO.	DATE	REVISION	BY	CR.	APPROVED

8709110329