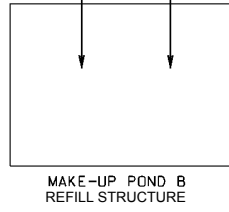
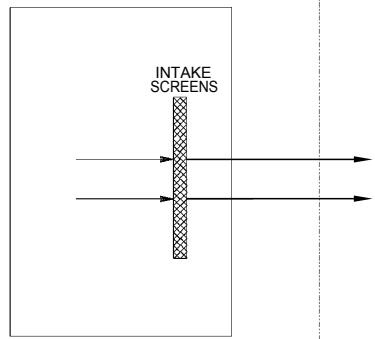


RWS REFILL SUBSYSTEM  
(FIG. 9.2-206)

RWS REFILL SUBSYSTEM  
(FIG. 9.2-206)

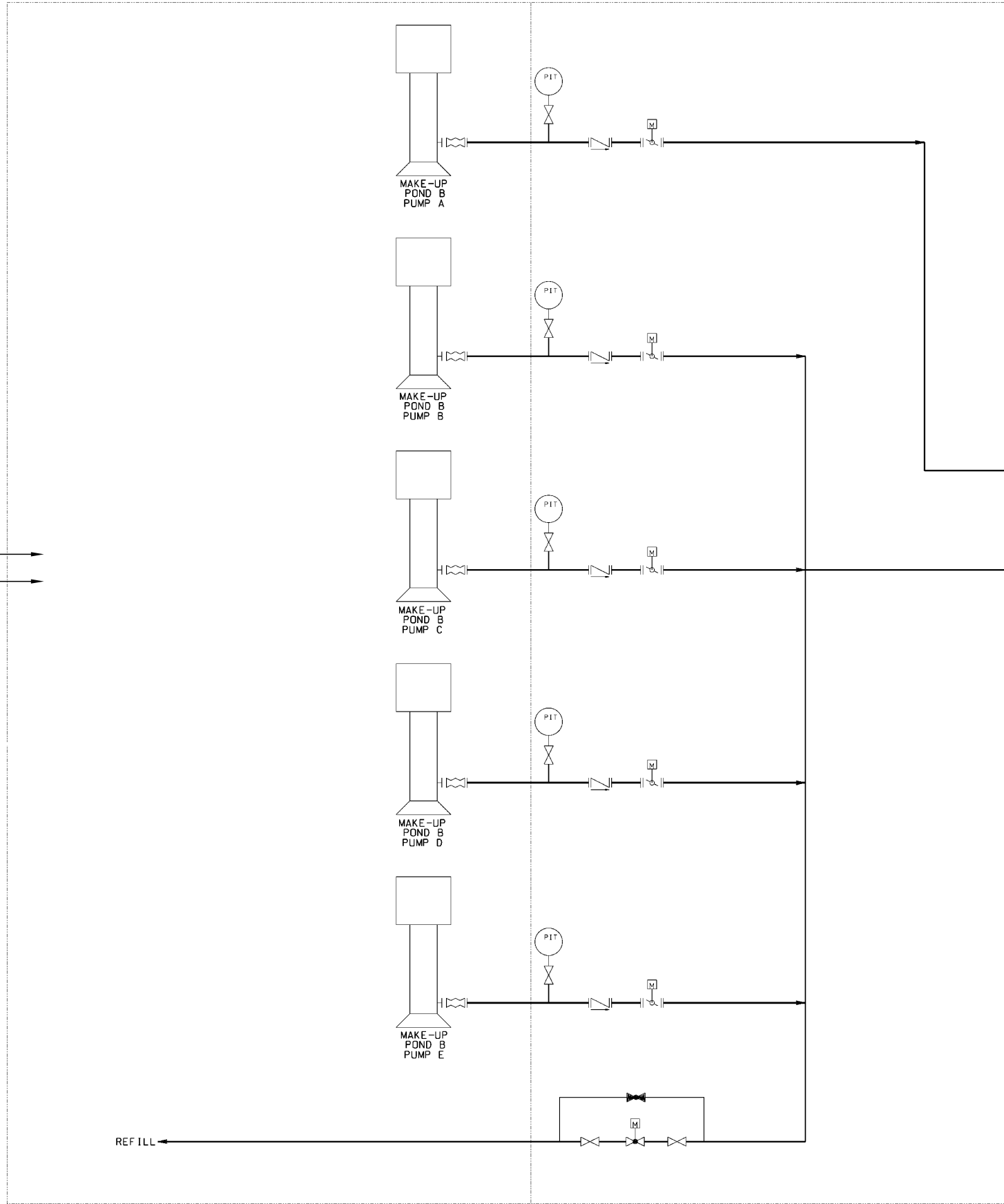


MAKE-UP POND B  
REFILL STRUCTURE



MAKE-UP POND B  
INTAKE STRUCTURE

WLS SUP 9.2-5



MAKE-UP POND B PUMP STRUCTURE

NOTES:

- 1. ALL MOTOR OPERATED VALVES SHALL HAVE MANUAL OPERATION HANDWHEELS.

RWS MAKE-UP POND C  
SUBSYSTEM  
(FIG. 9.2-207)

RWS RIVER WATER  
SUBSYSTEM  
(FIG. 9.2-201)

RWS RAW WATER SUPPLY  
SUBSYSTEM  
(FIG. 9.2-202)

WILLIAM STATES LEE III  
NUCLEAR STATION UNITS 1 & 2

Raw Water System,  
Make-Up Pond B Subsystem

FIGURE 9.2-203 Rev 5