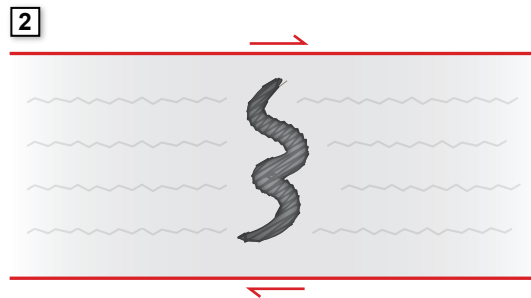
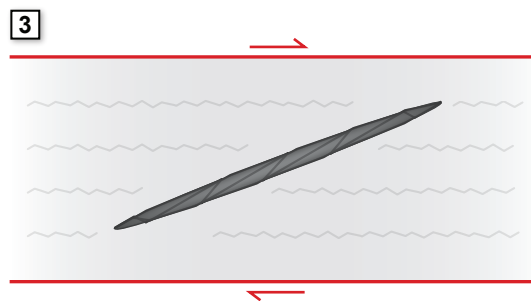


Fracture opens parallel to maximum compression stress, filled with calcite quartz, epidote, white mica.



Fracture rotates into field of compression and is folded.



Fracture rotates into field of extension and becomes extended and flattened into the foliation.