

Figure 7.6-11 – Suppression Pool Temperature Monitoring System IED (Sheet 1 of 3)

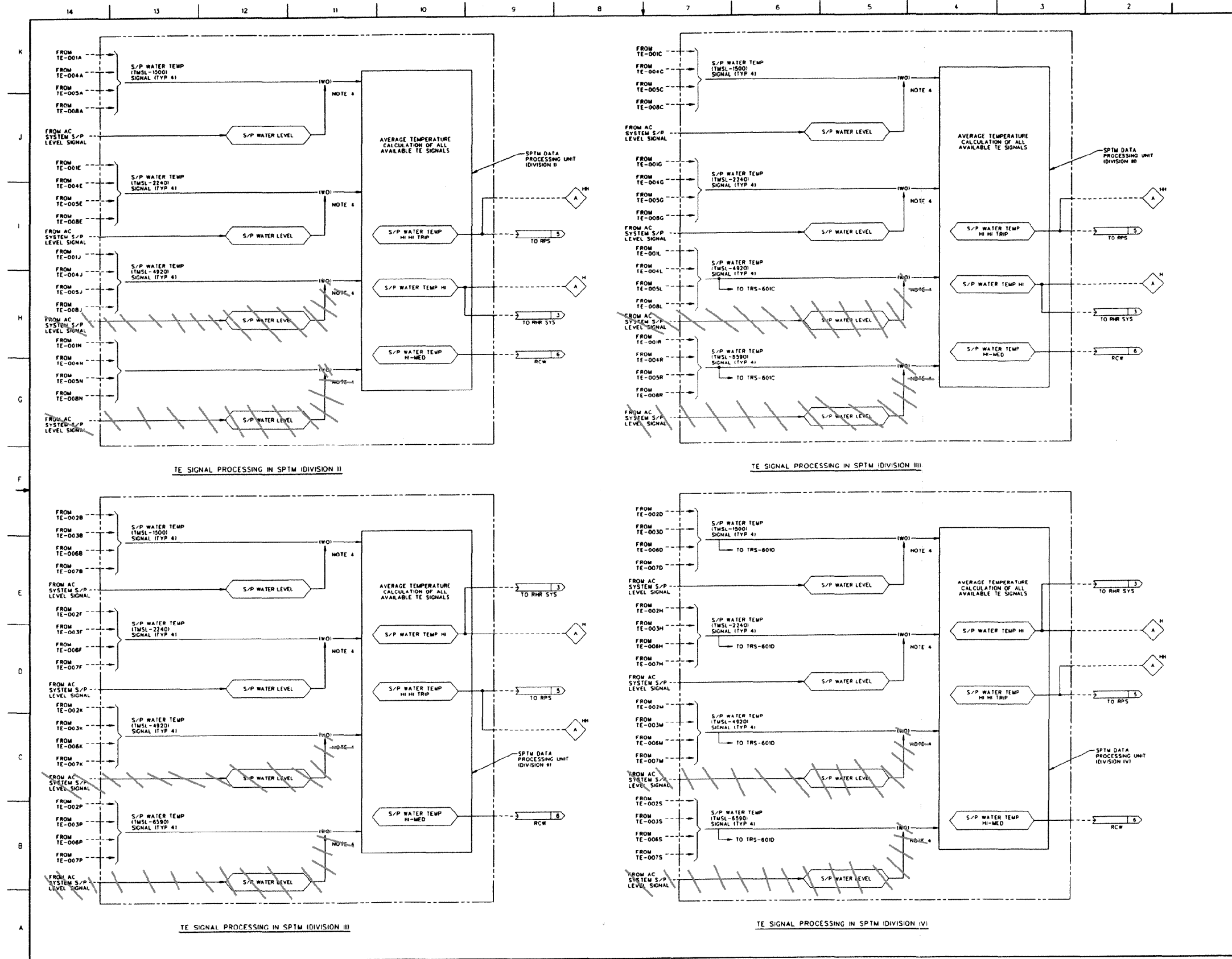


Figure 7.6-11 – Suppression Pool Temperature Monitoring System IED (Sheet 3 of 3)

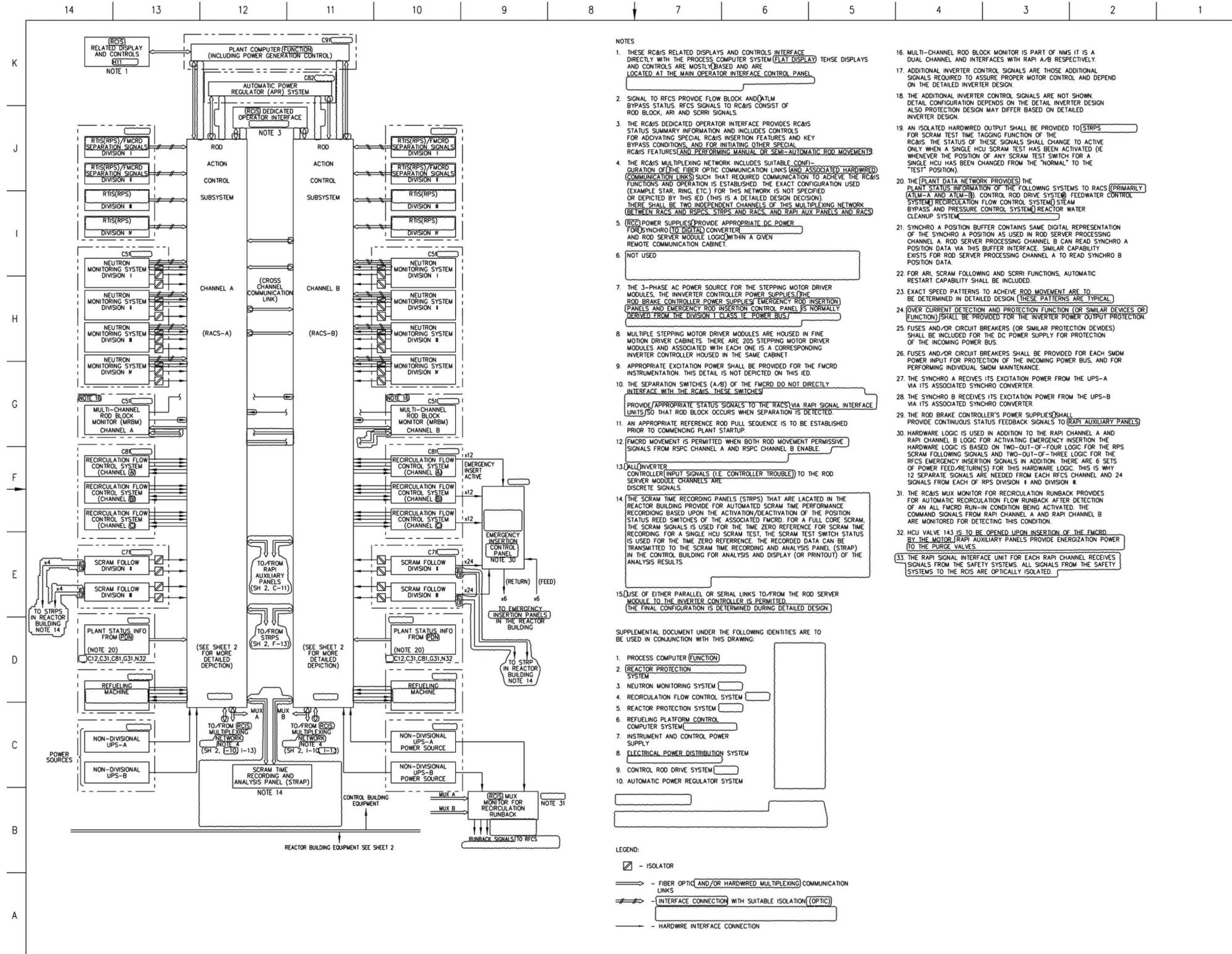


Figure 7.7-2 – Rod Control and Information System IED (Sheet 1 of 5)

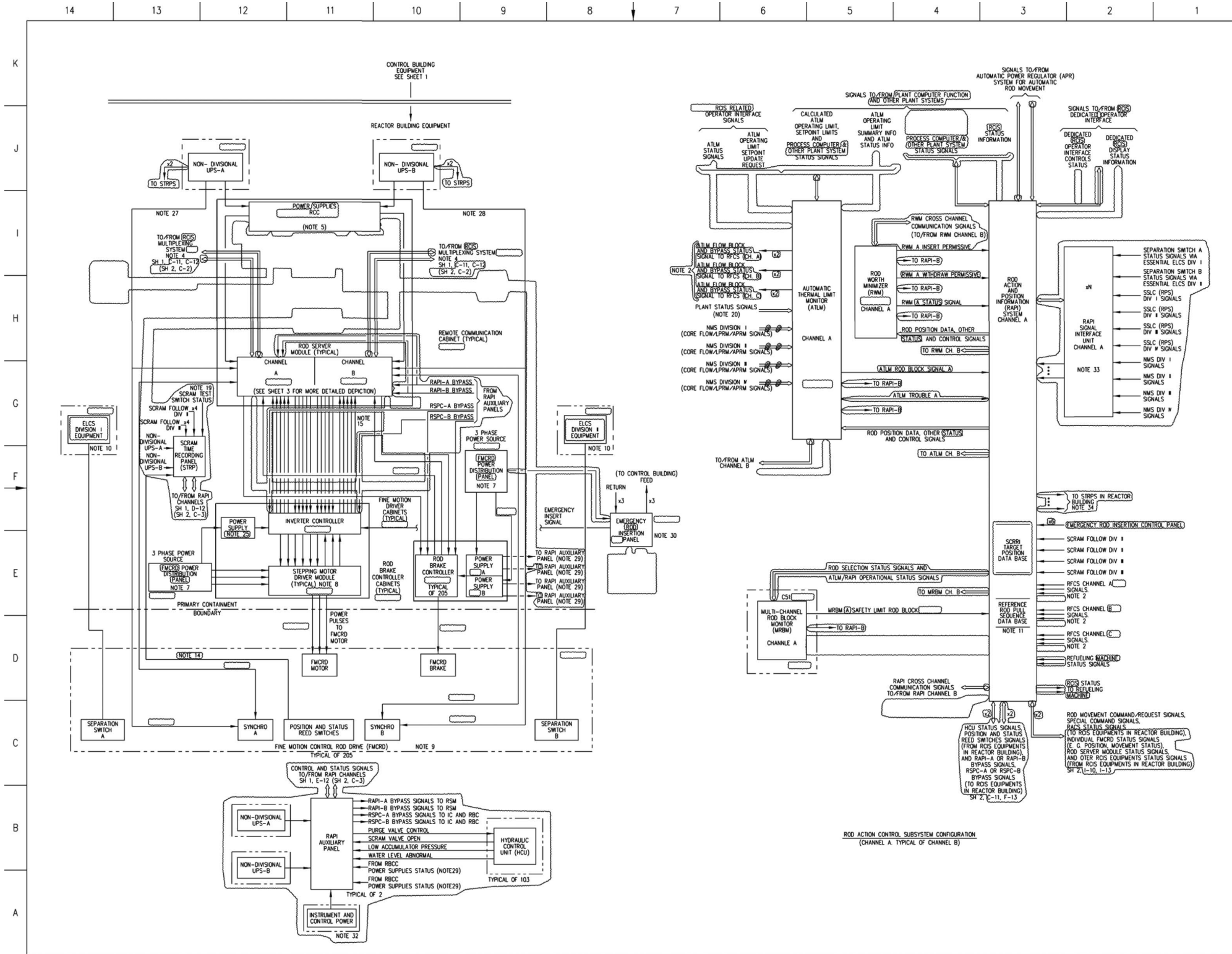


Figure 7.7-2 – Rod Control and Information System IED (Sheet 2 of 5)

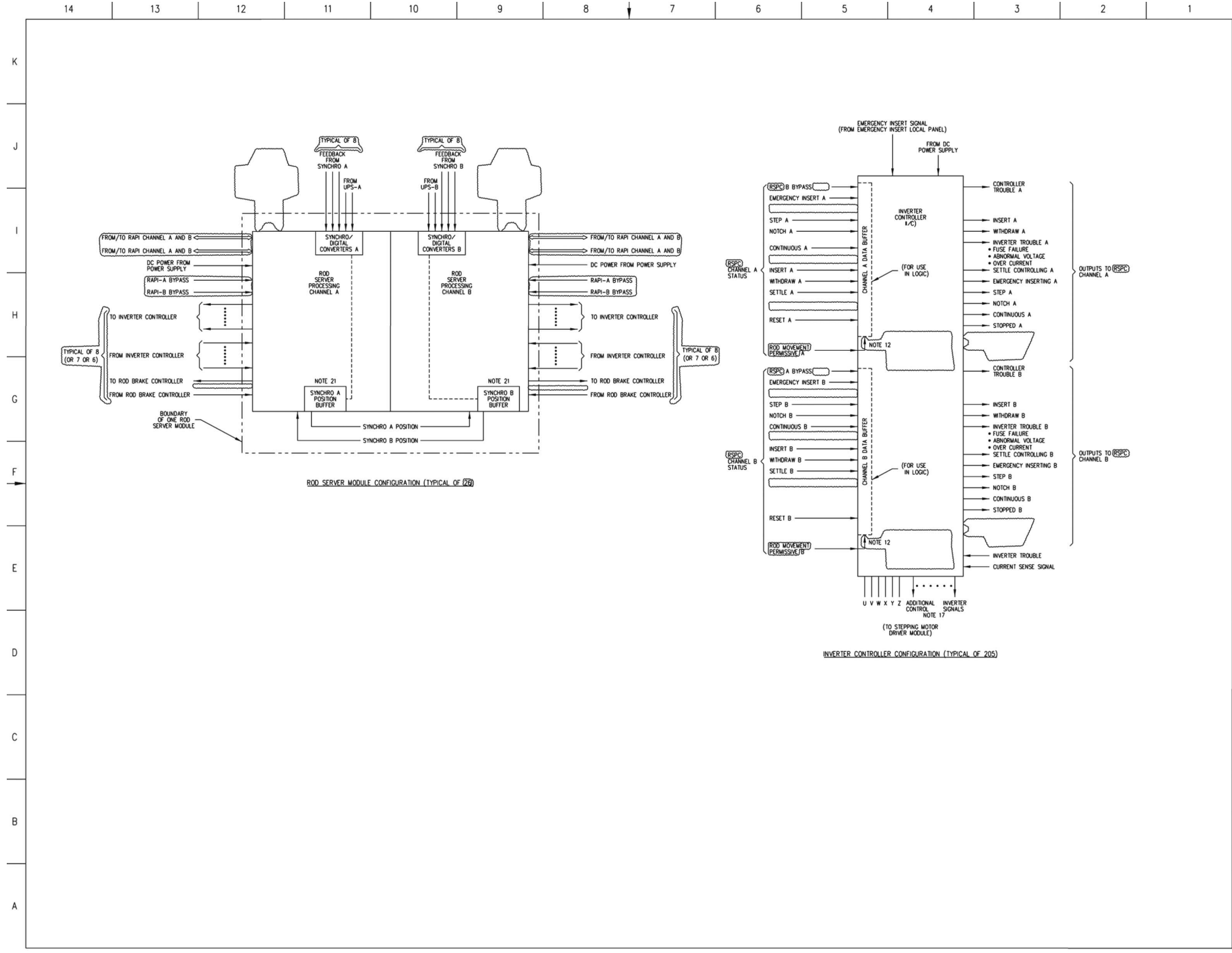


Figure 7.7-2 – Rod Control and Information System IED (Sheet 3 of 5)

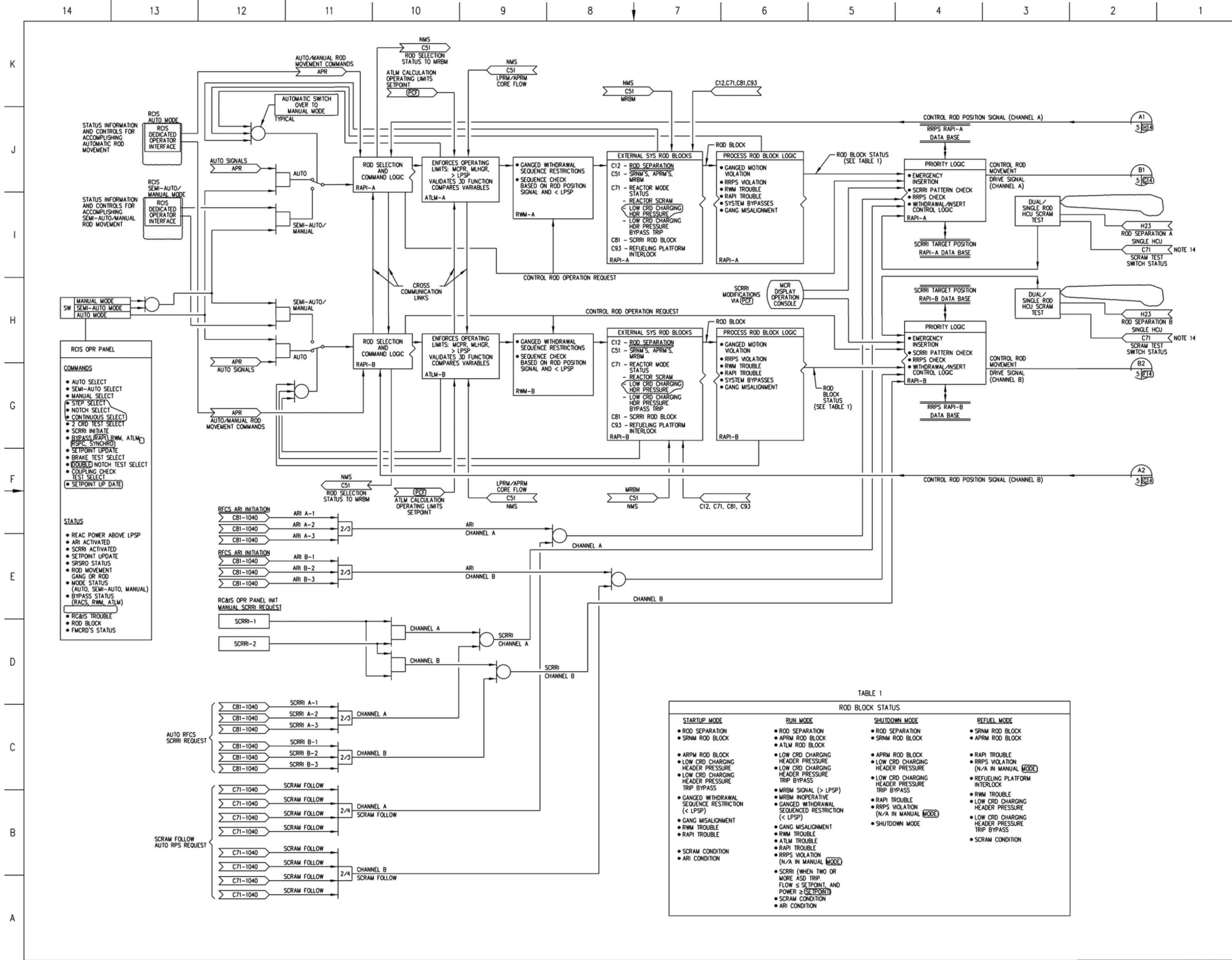


Figure 7.7-2 – Rod Control and Information System IED (Sheet 4 of 5)

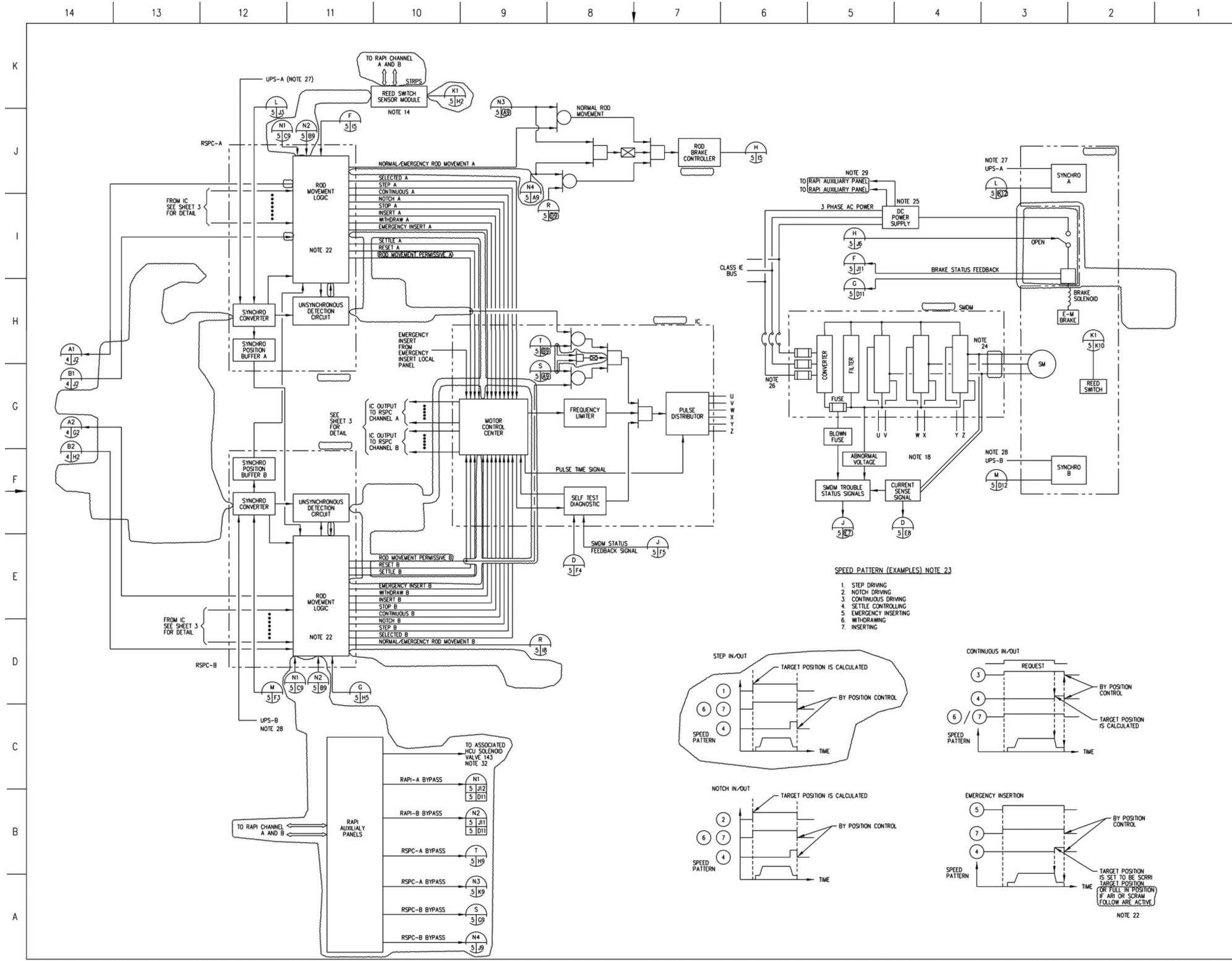


Figure 7.7-2 – Rod Control and Information System IED (Sheet 5 of 5)

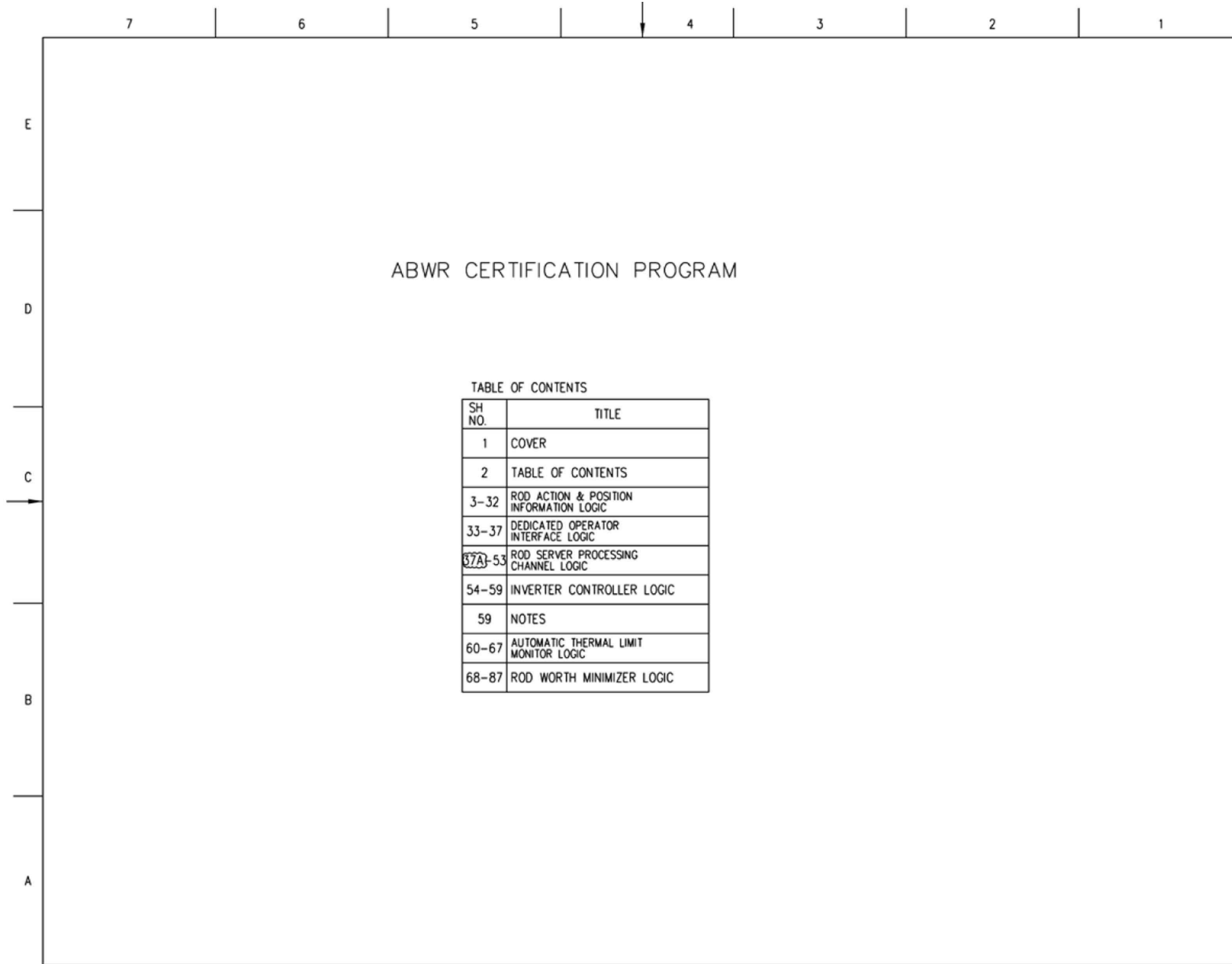


Figure 7.7-3 – Rod Control and Information System IBD (Sheet 1 of 87)



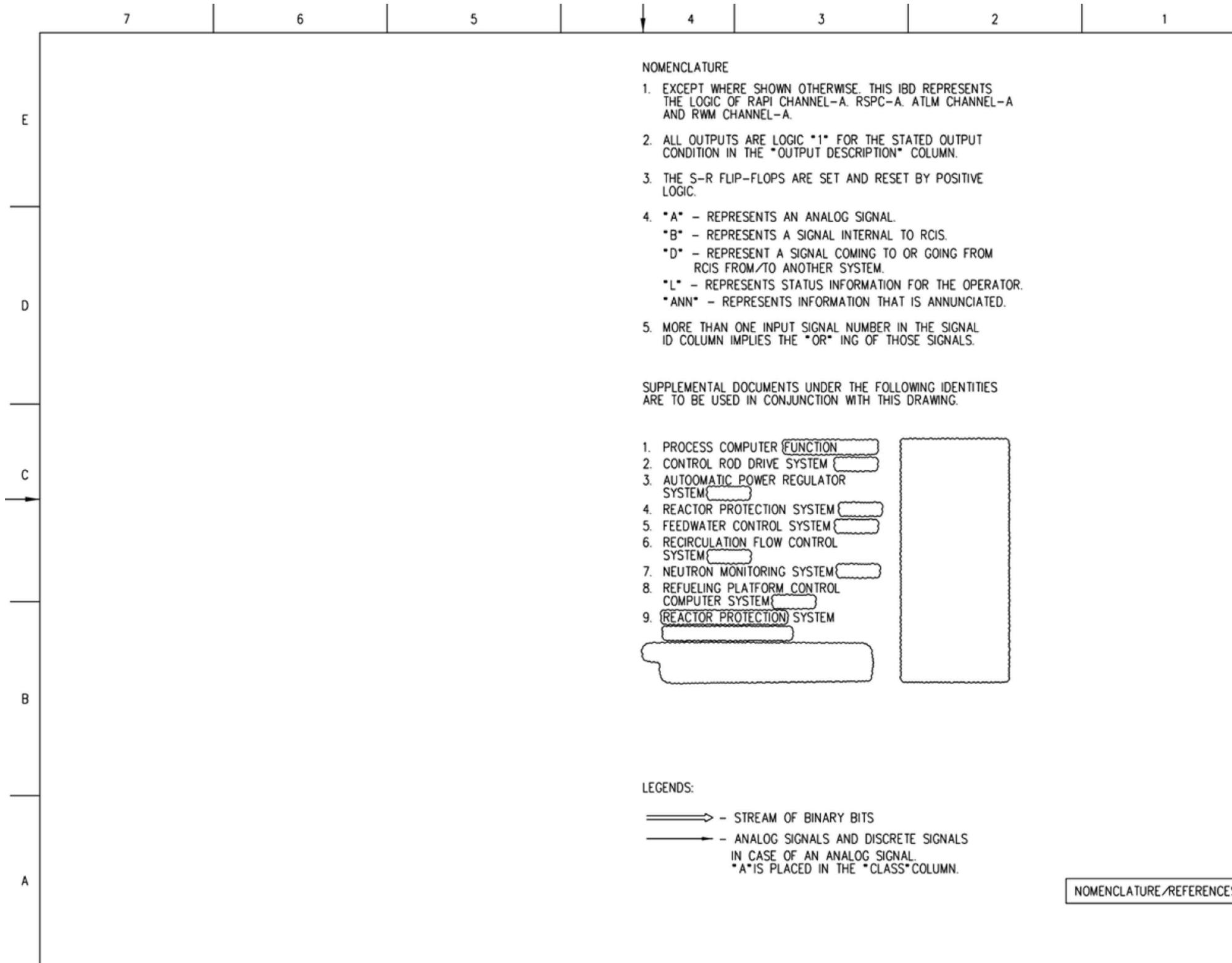


Figure 7.7-3 – Rod Control and Information System IBD (Sheet 2 of 87)

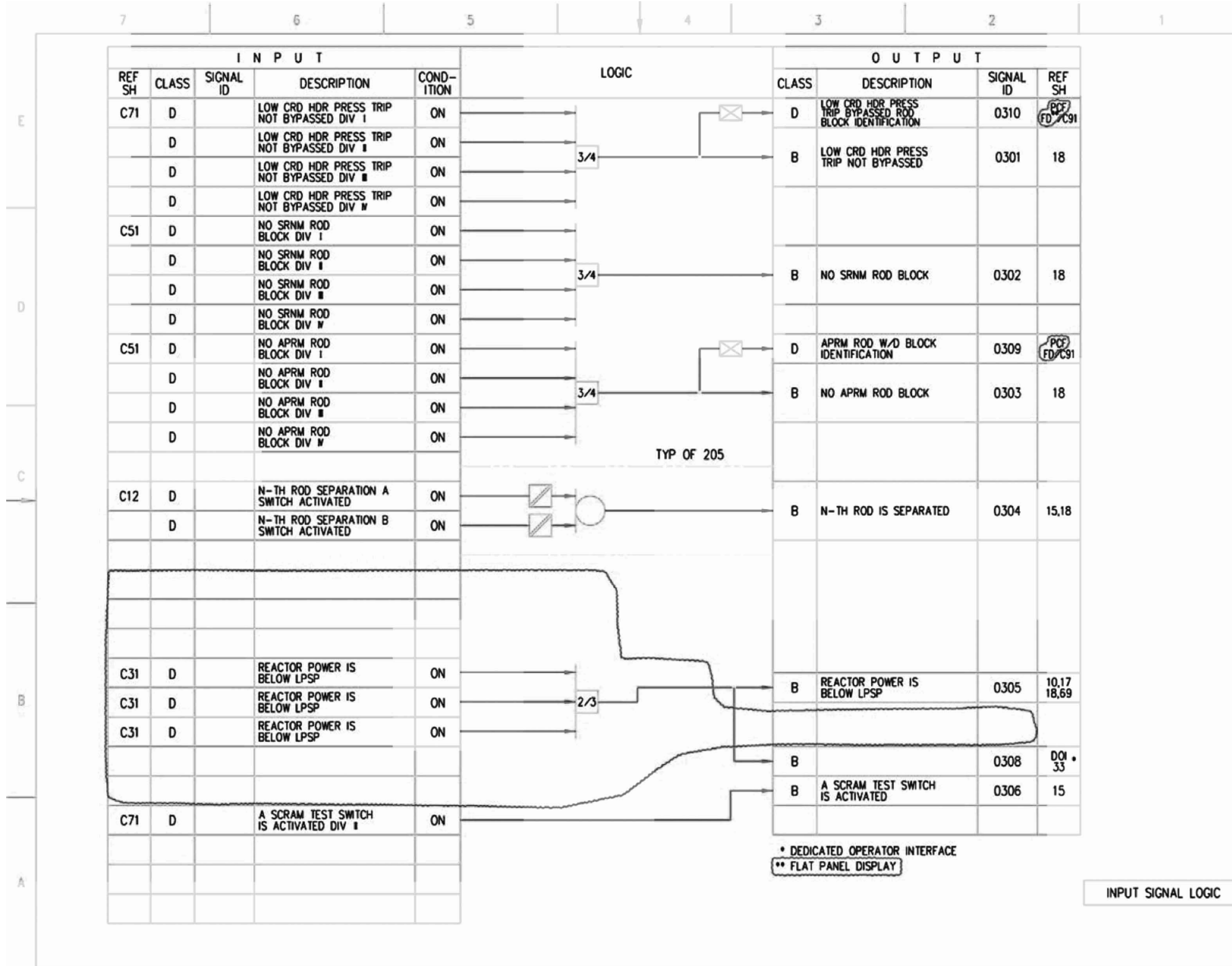


Figure 7.7-3 – Rod Control and Information System IBD (Sheet 3 of 87)

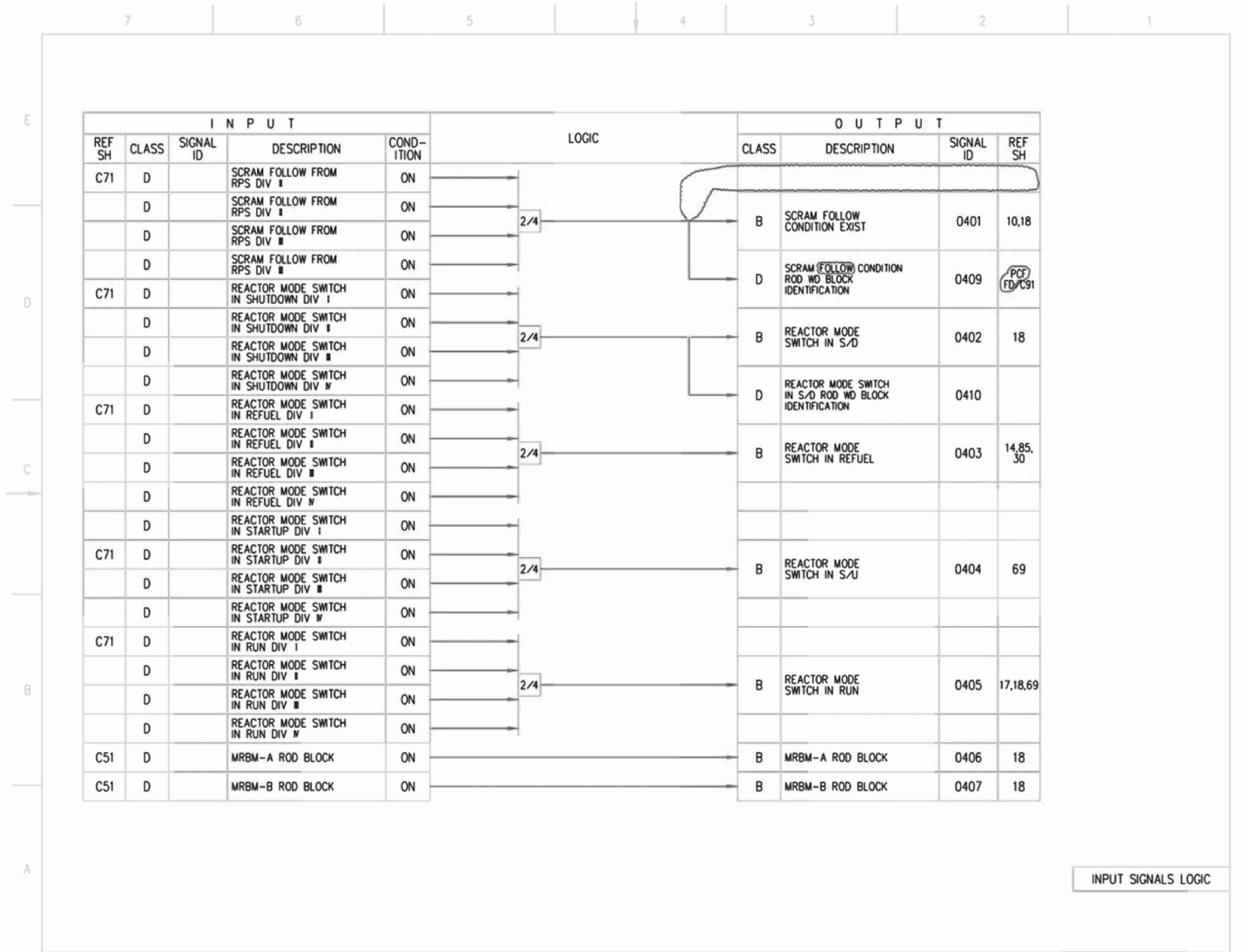


Figure 7.7-3 – Rod Control and Information System IBD (Sheet 4 of 87)

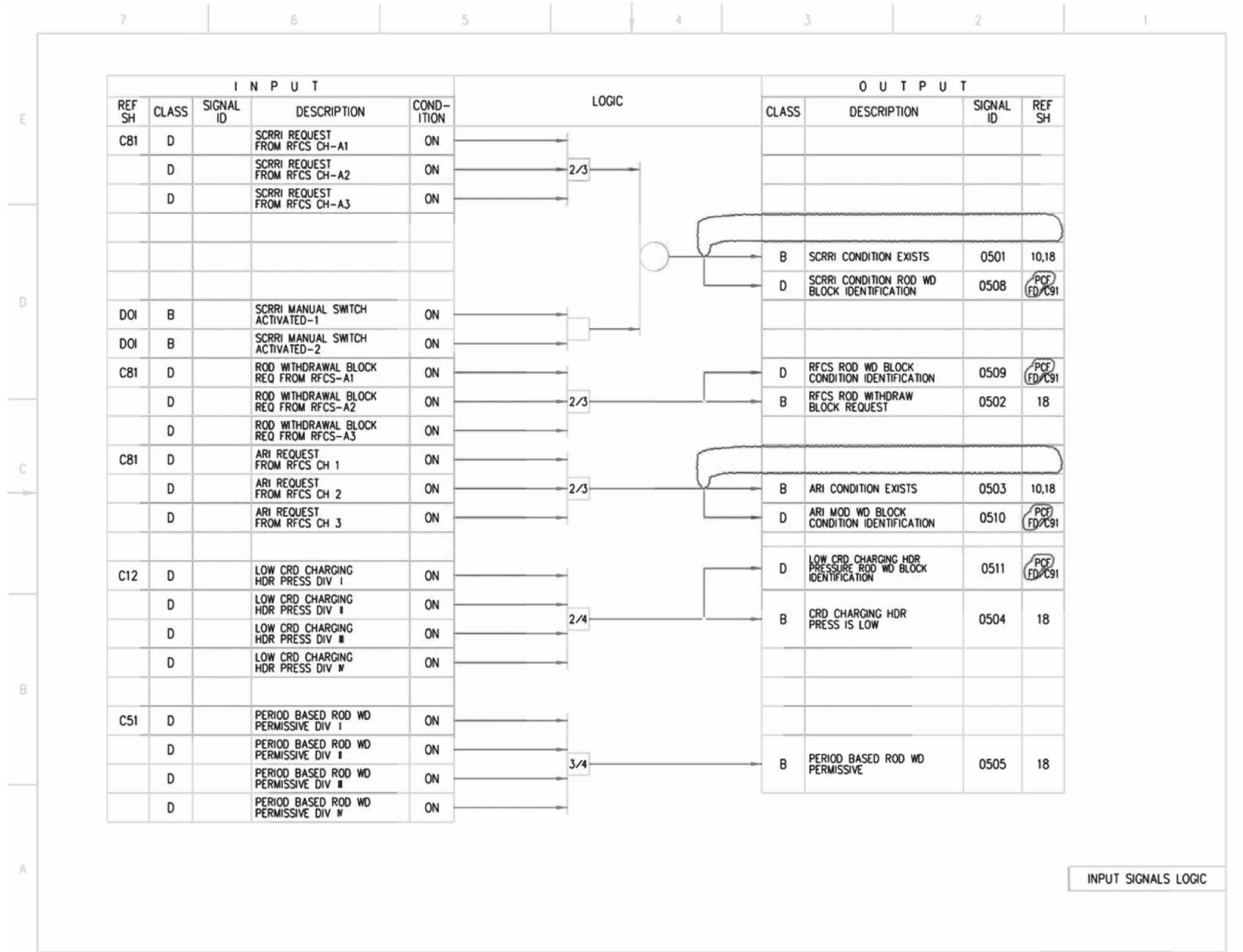


Figure 7.7-3 – Rod Control and Information System IBD (Sheet 5 of 87)

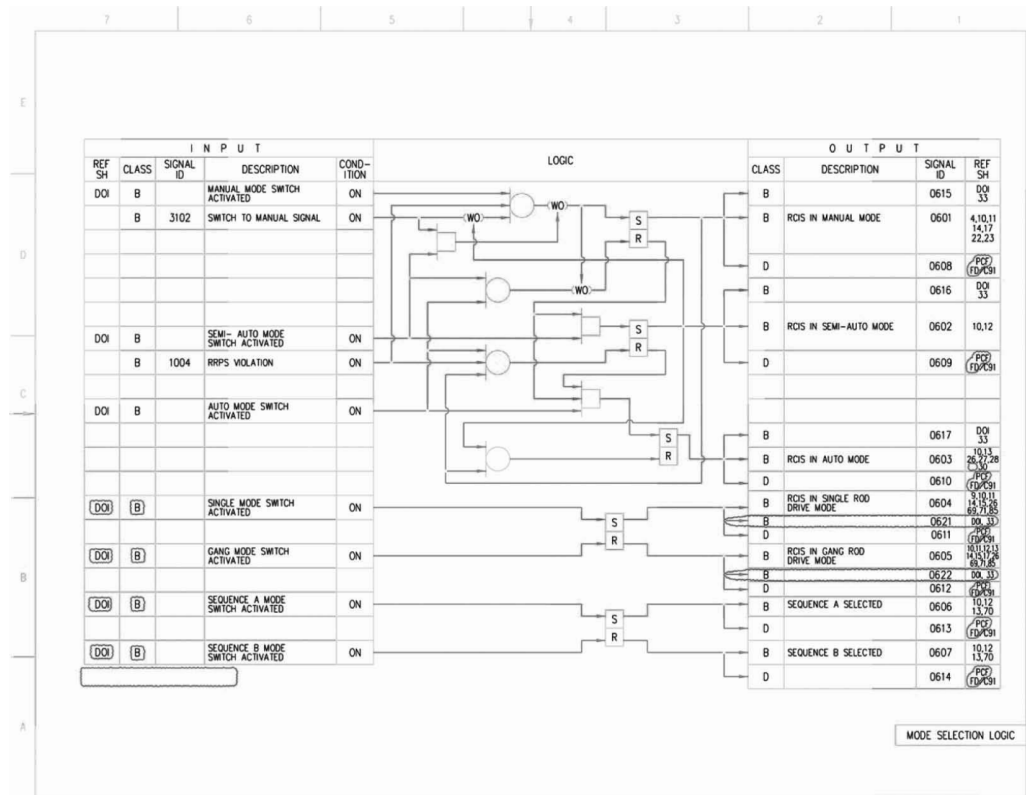


Figure 7.7-3 – Rod Control and Information System IBD (Sheet 6 of 87)

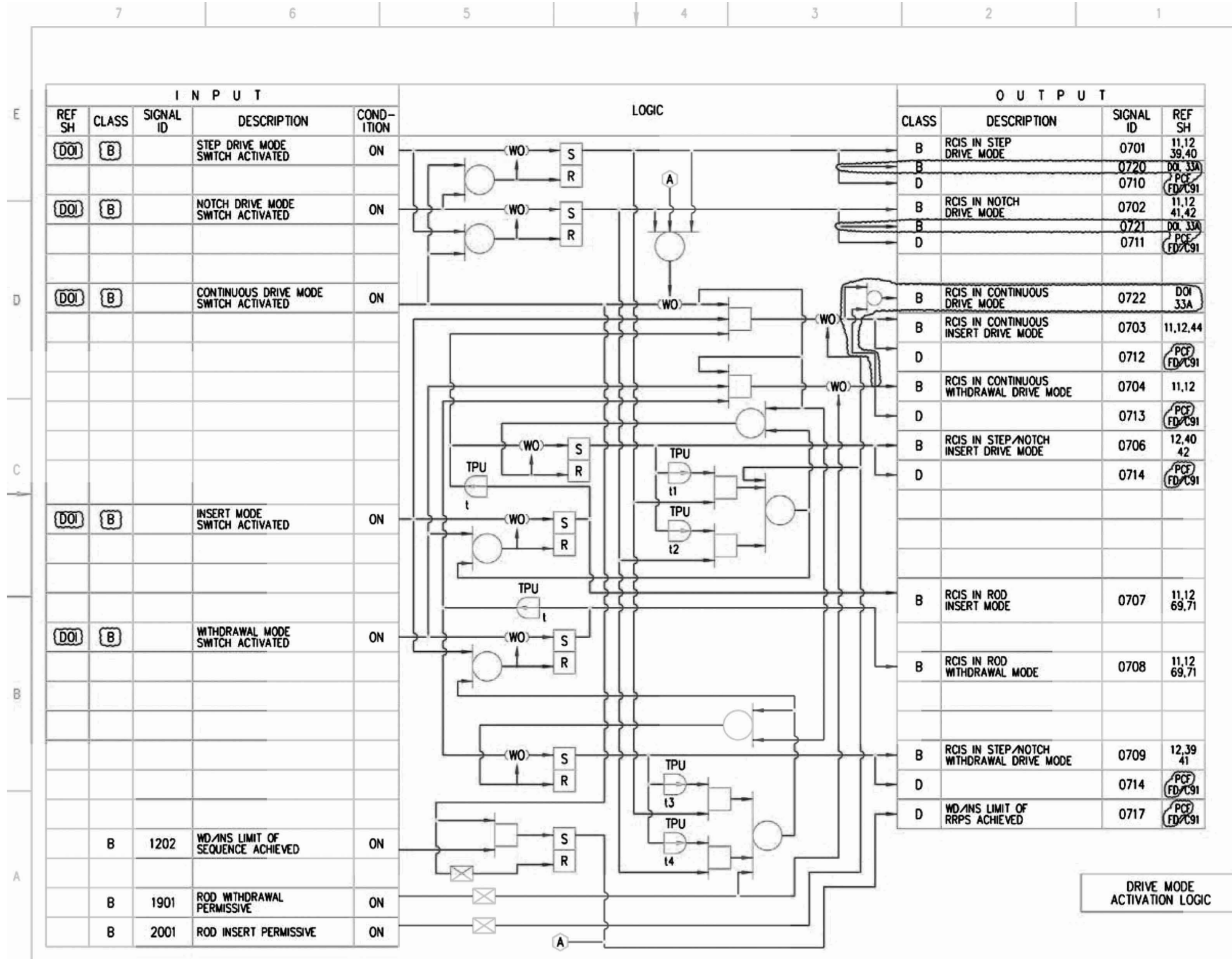


Figure 7.7-3 – Rod Control and Information System IBD (Sheet 7 of 87)

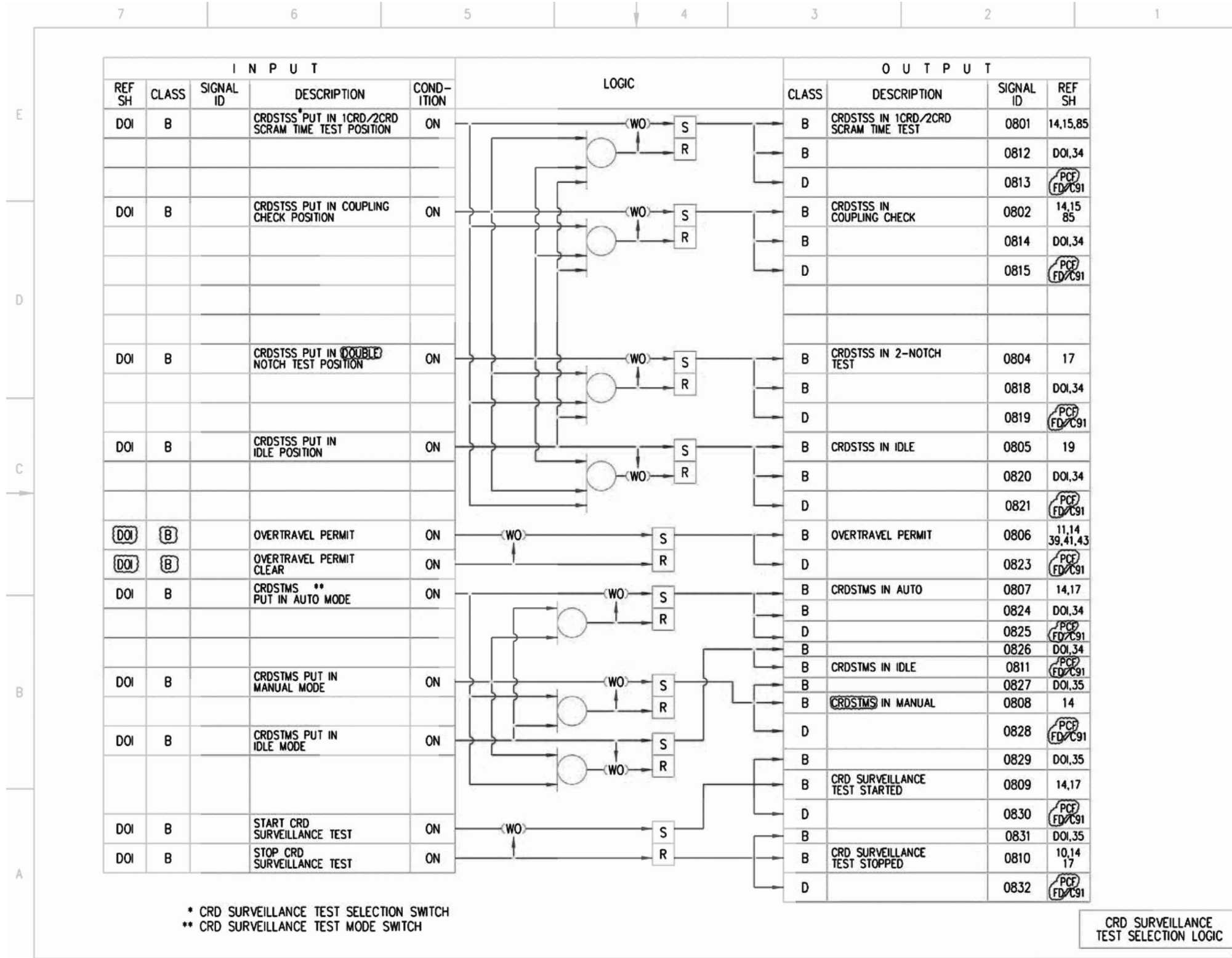


Figure 7.7-3 – Rod Control and Information System IBD (Sheet 8 of 87)

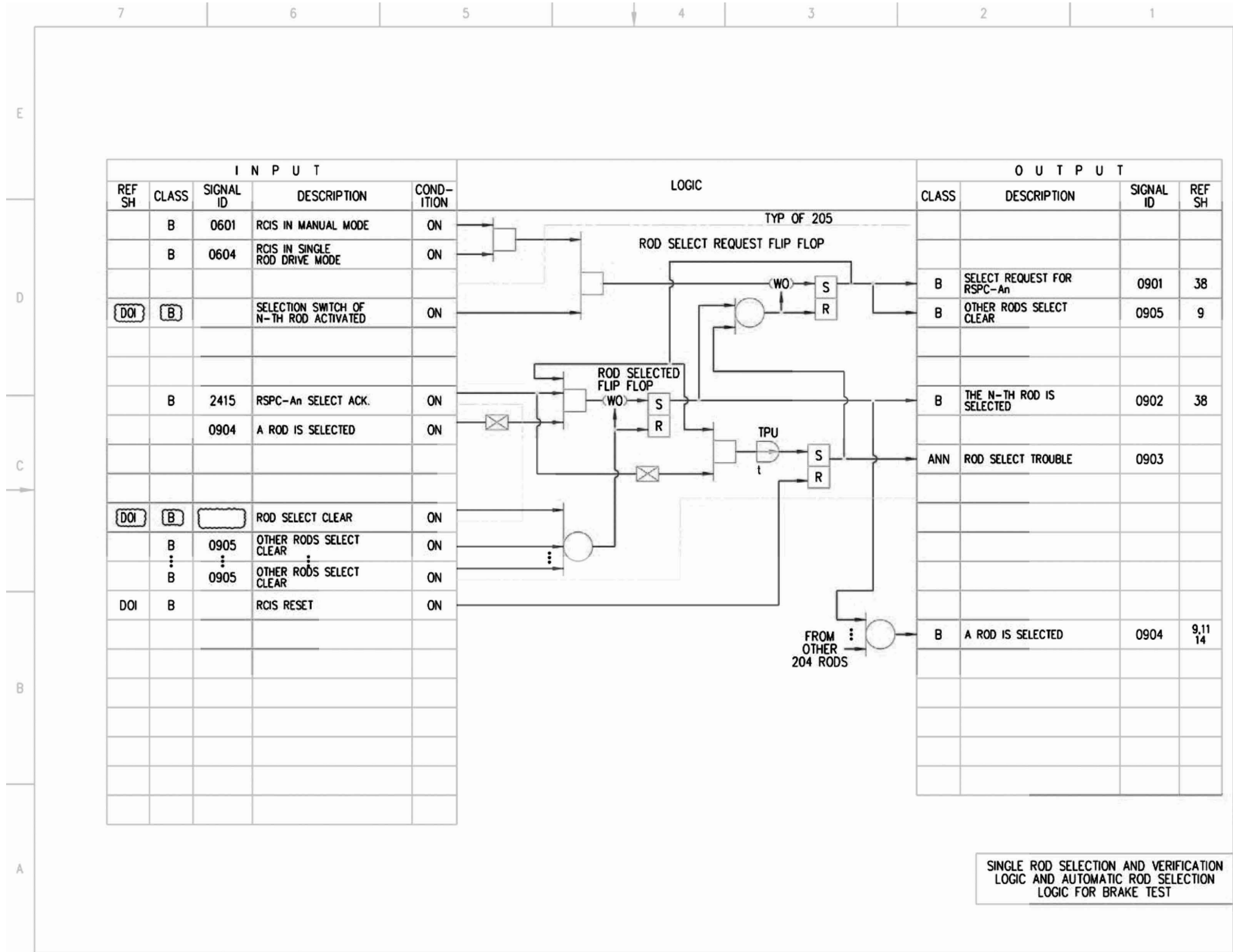


Figure 7.7-3 – Rod Control and Information System IBD (Sheet 9 of 87)



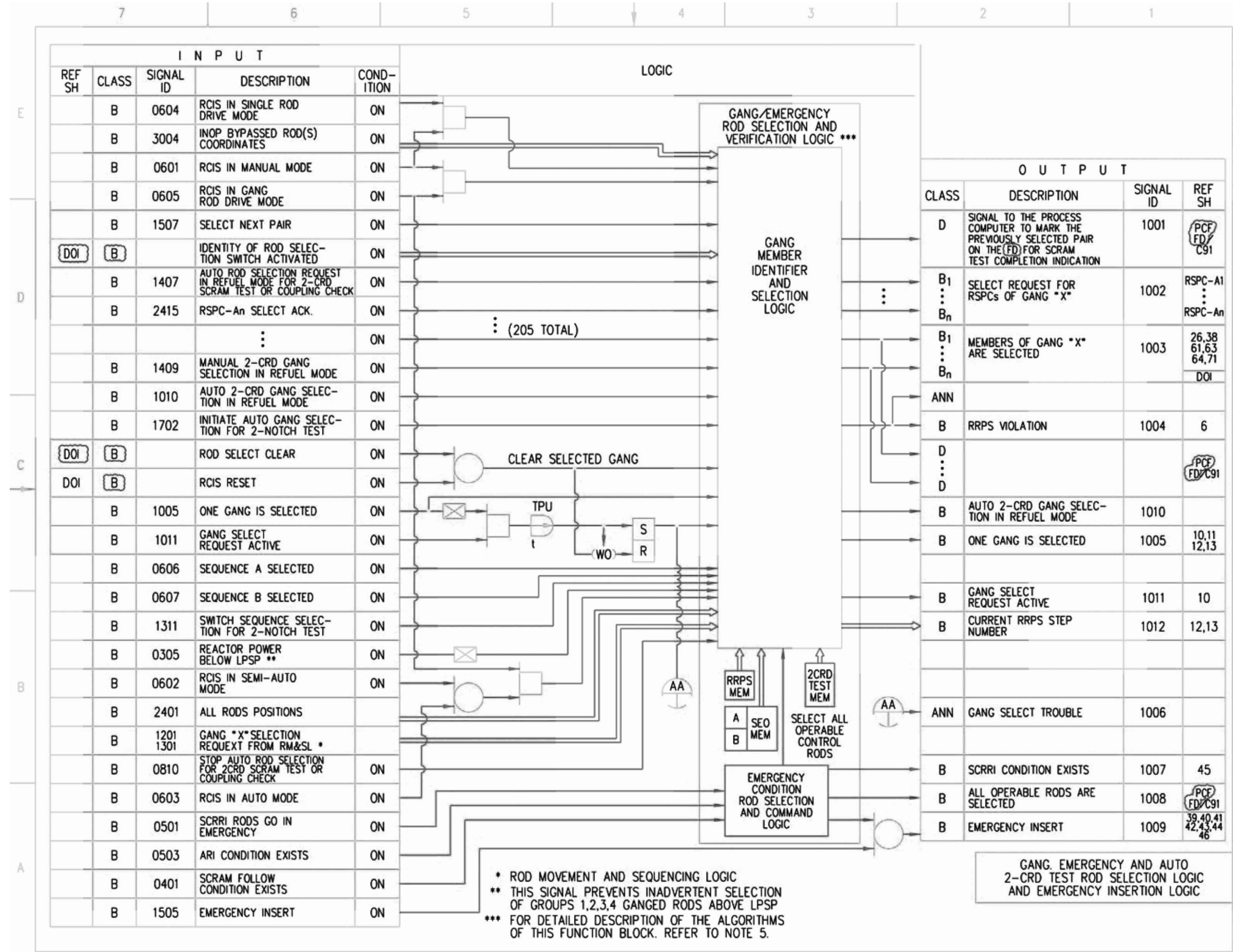


Figure 7.7-3 – Rod Control and Information System IBD (Sheet 10 of 87)

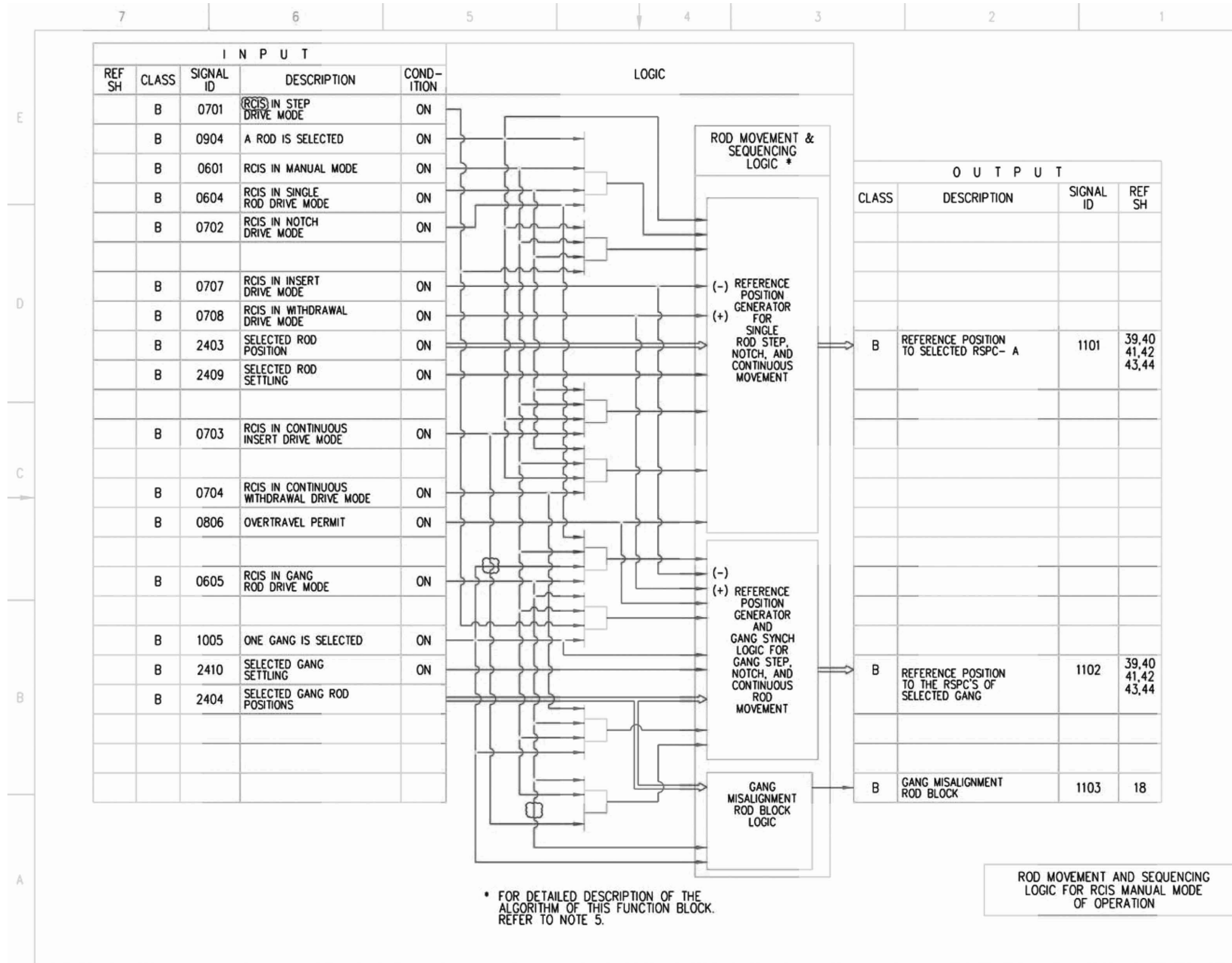


Figure 7.7-3 – Rod Control and Information System IBD (Sheet 11 of 87)

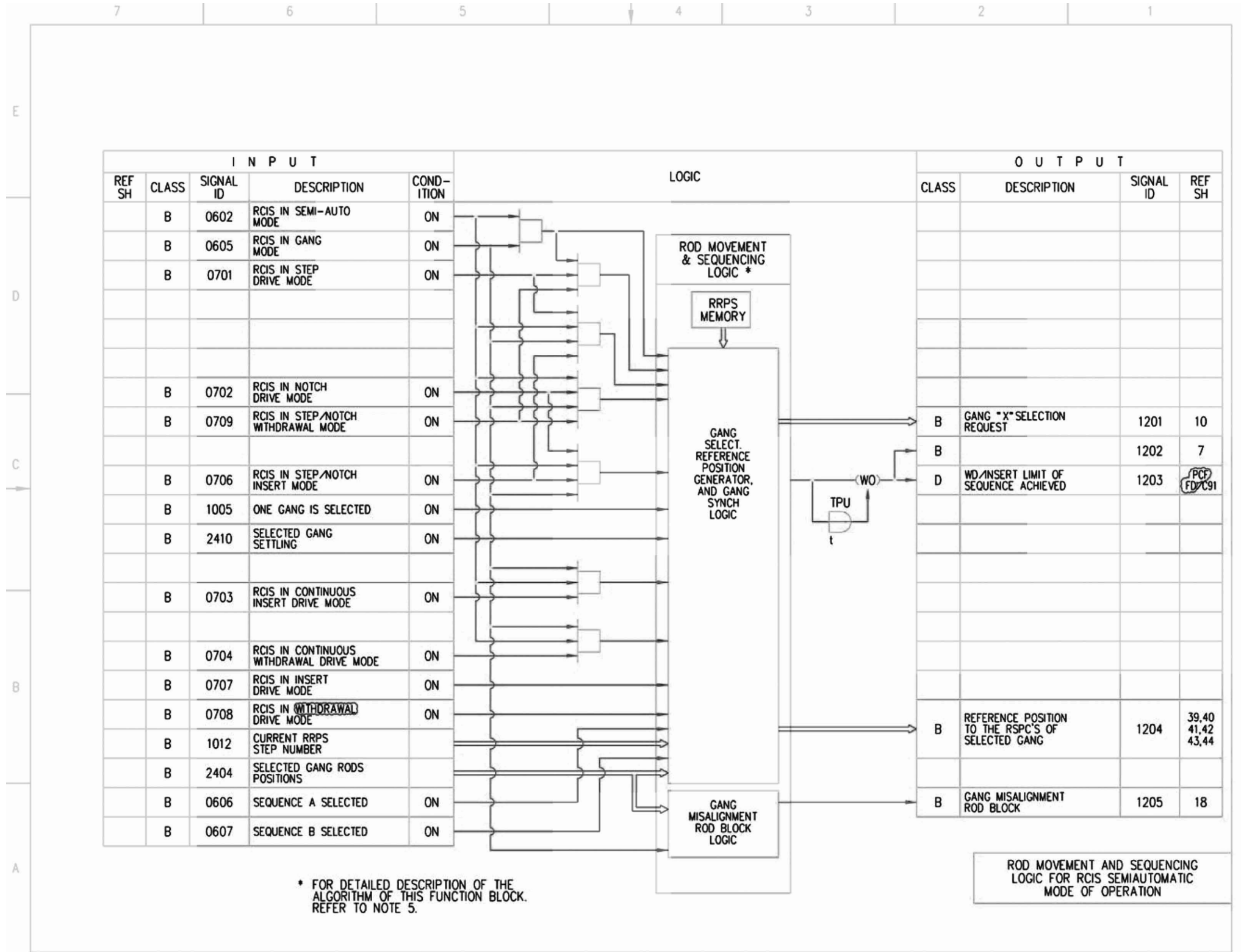


Figure 7.7-3 – Rod Control and Information System IBD (Sheet 12 of 87)

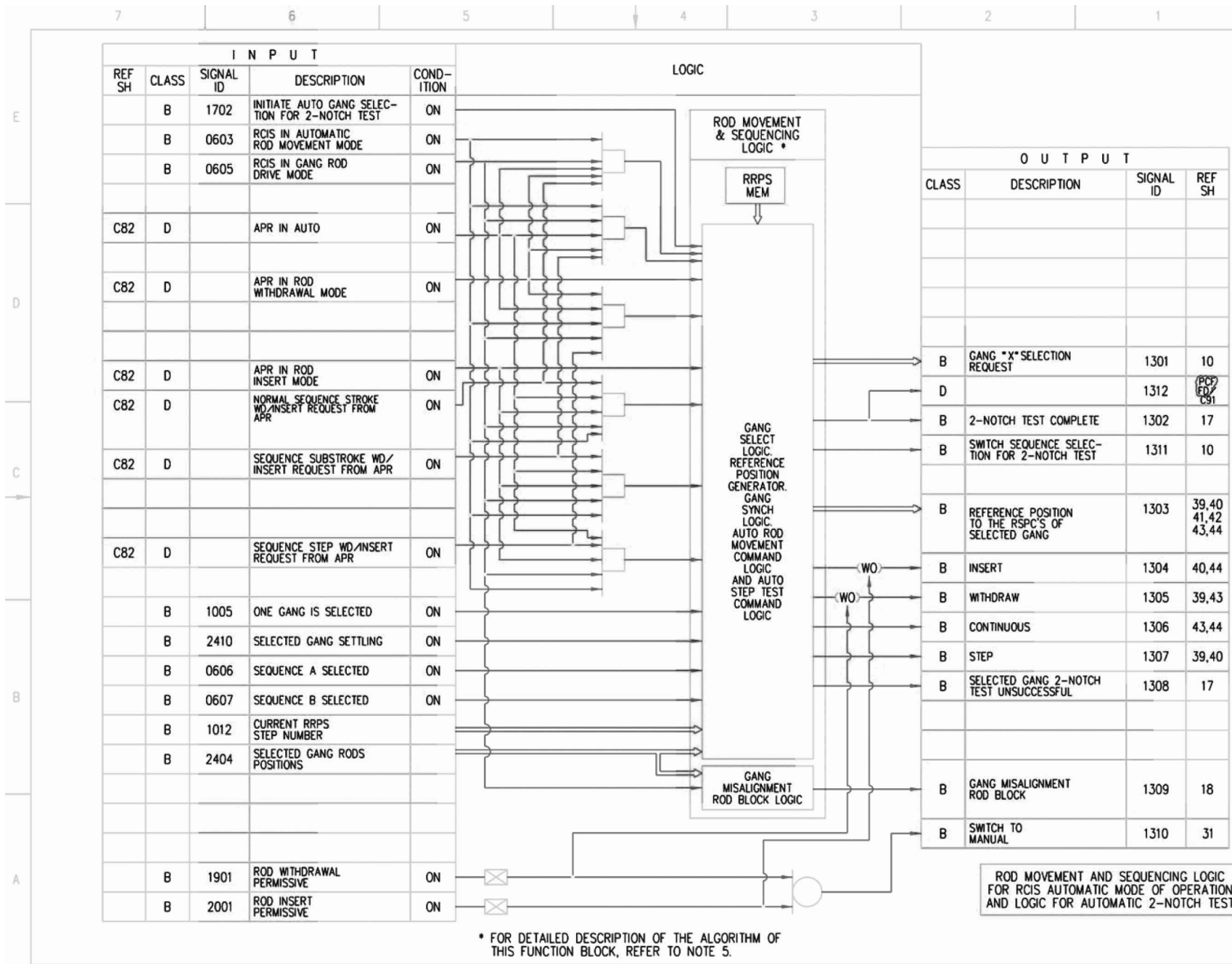


Figure 7.7-3 – Rod Control and Information System IBD (Sheet 13 of 87)