

Figure 7.3-5 – Leak Detection and Isolation System IBD (Sheet 41 of 77)

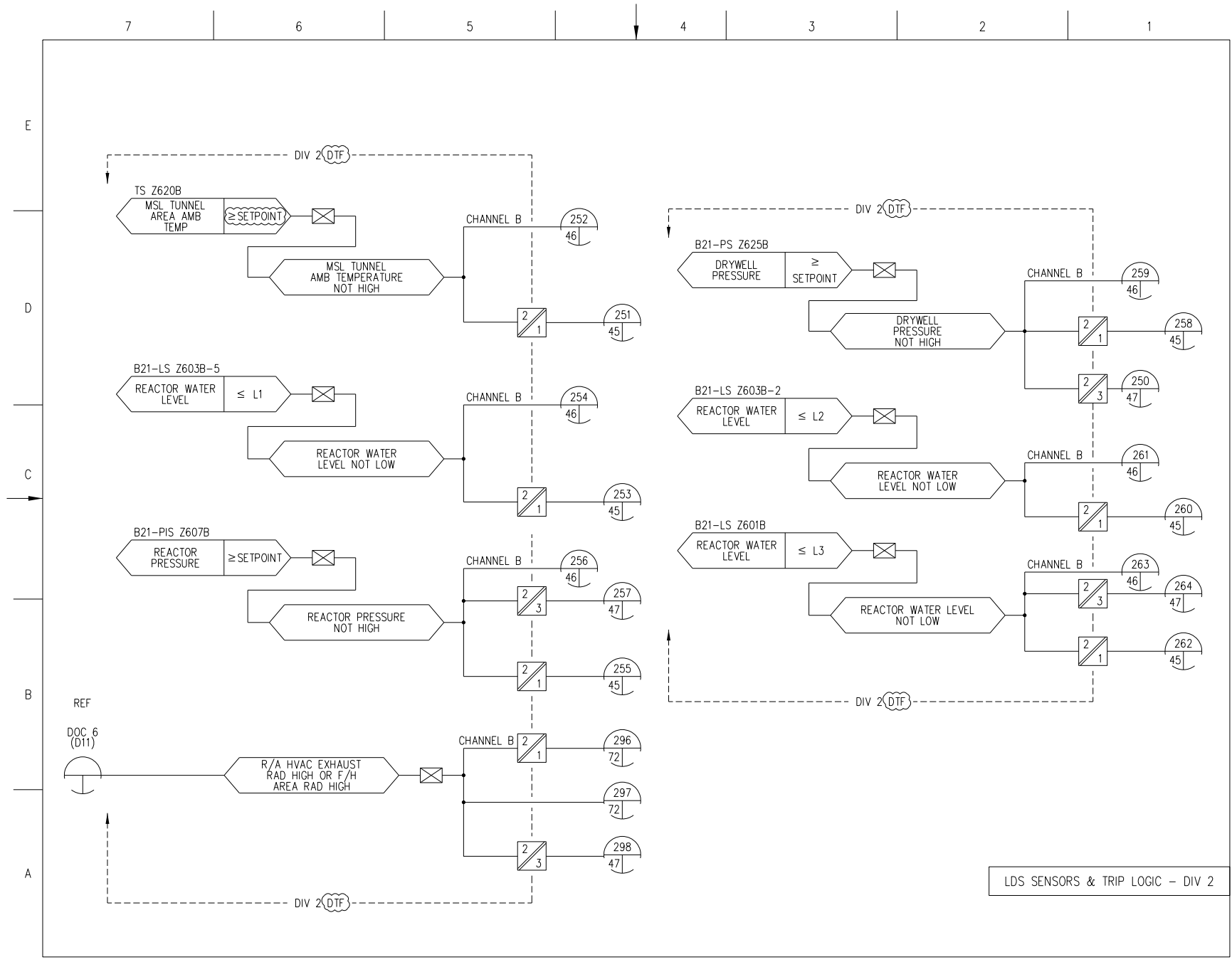


Figure 7.3-5 – Leak Detection and Isolation System IBD (Sheet 42 of 77)

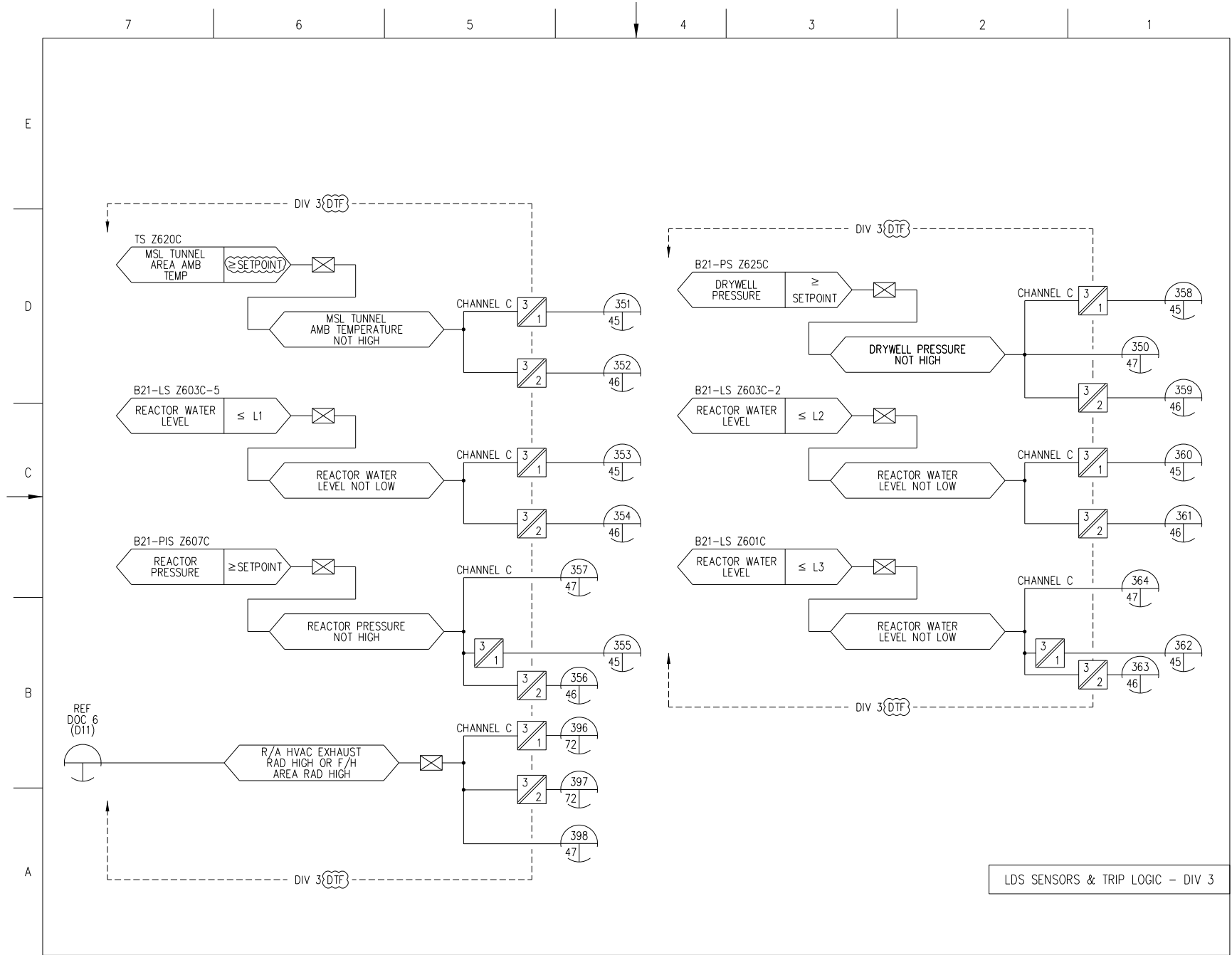


Figure 7.3-5 – Leak Detection and Isolation System IBD (Sheet 43 of 77)

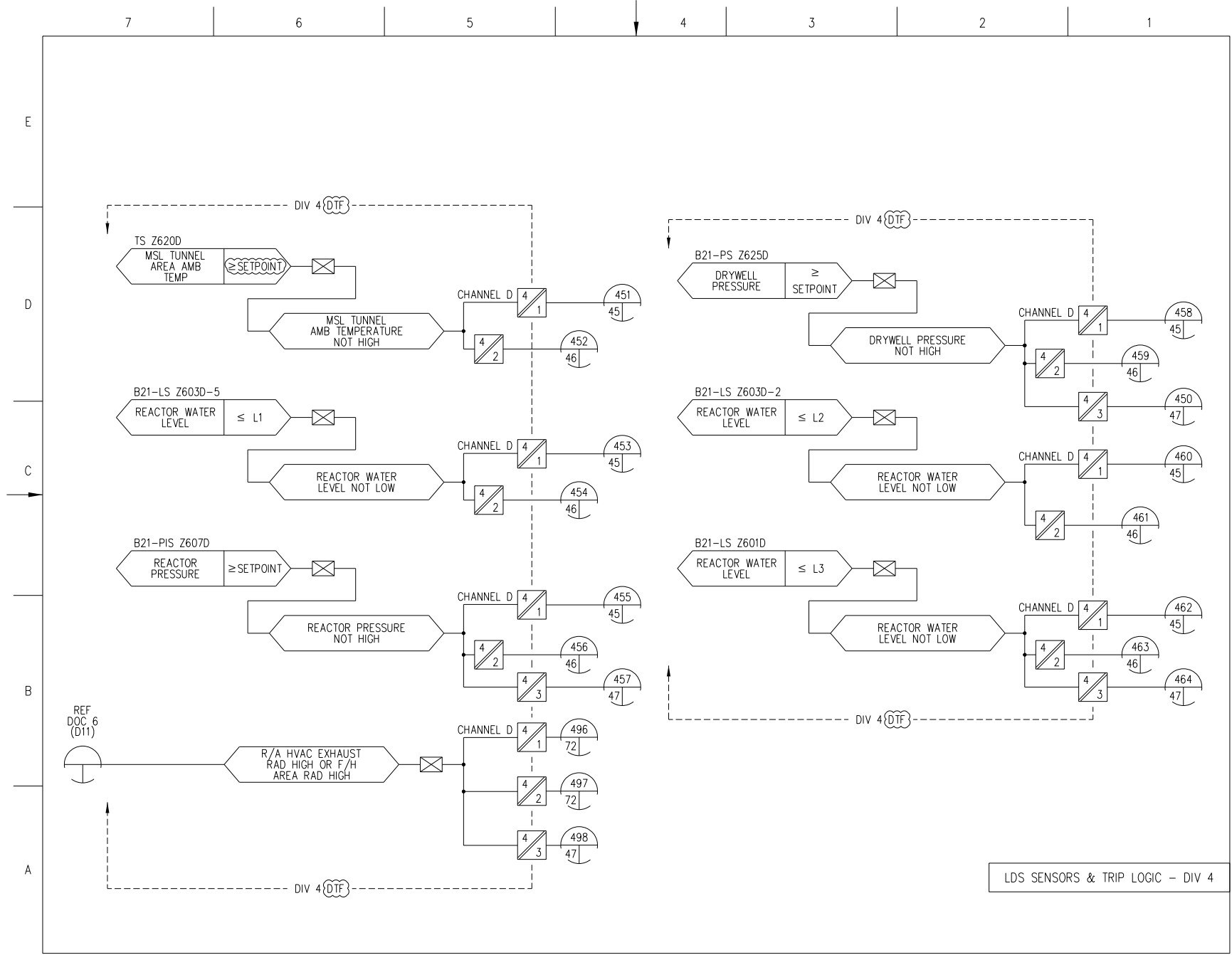


Figure 7.3-5 – Leak Detection and Isolation System IBD (Sheet 44 of 77)

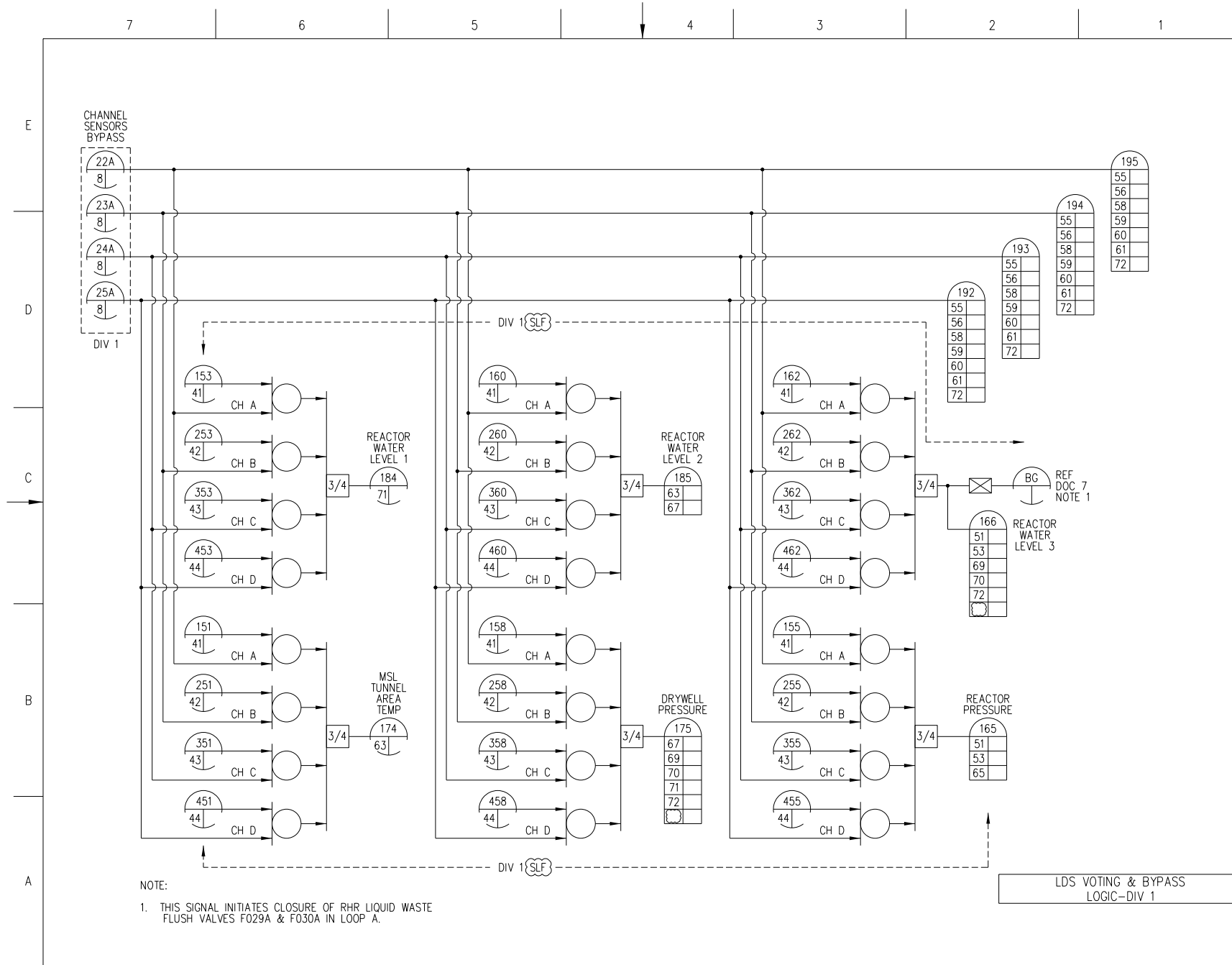


Figure 7.3-5 – Leak Detection and Isolation System IBD (Sheet 45 of 77)

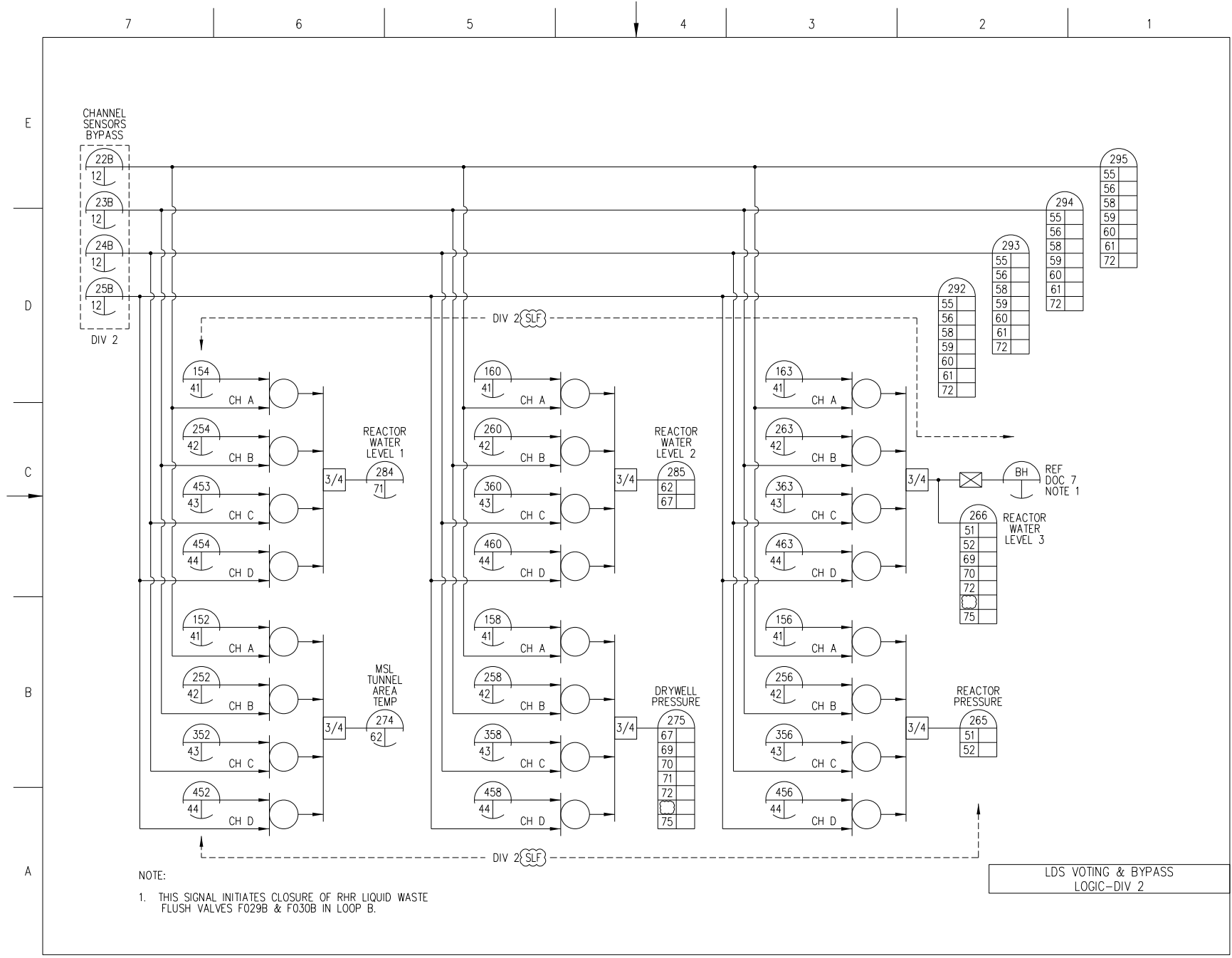


Figure 7.3-5 – Leak Detection and Isolation System IBD (Sheet 46 of 77)

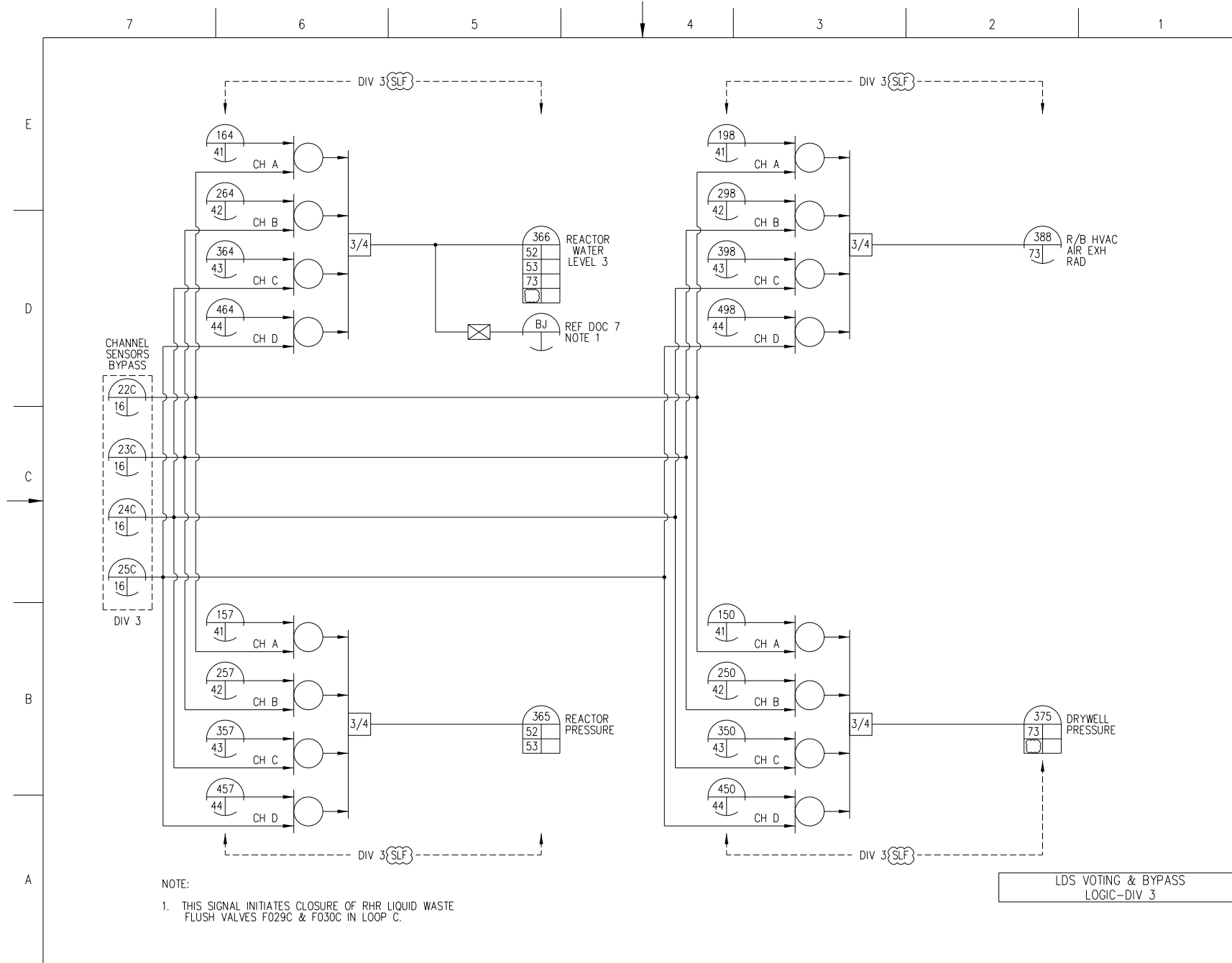


Figure 7.3-5 – Leak Detection and Isolation System IBD (Sheet 47 of 77)

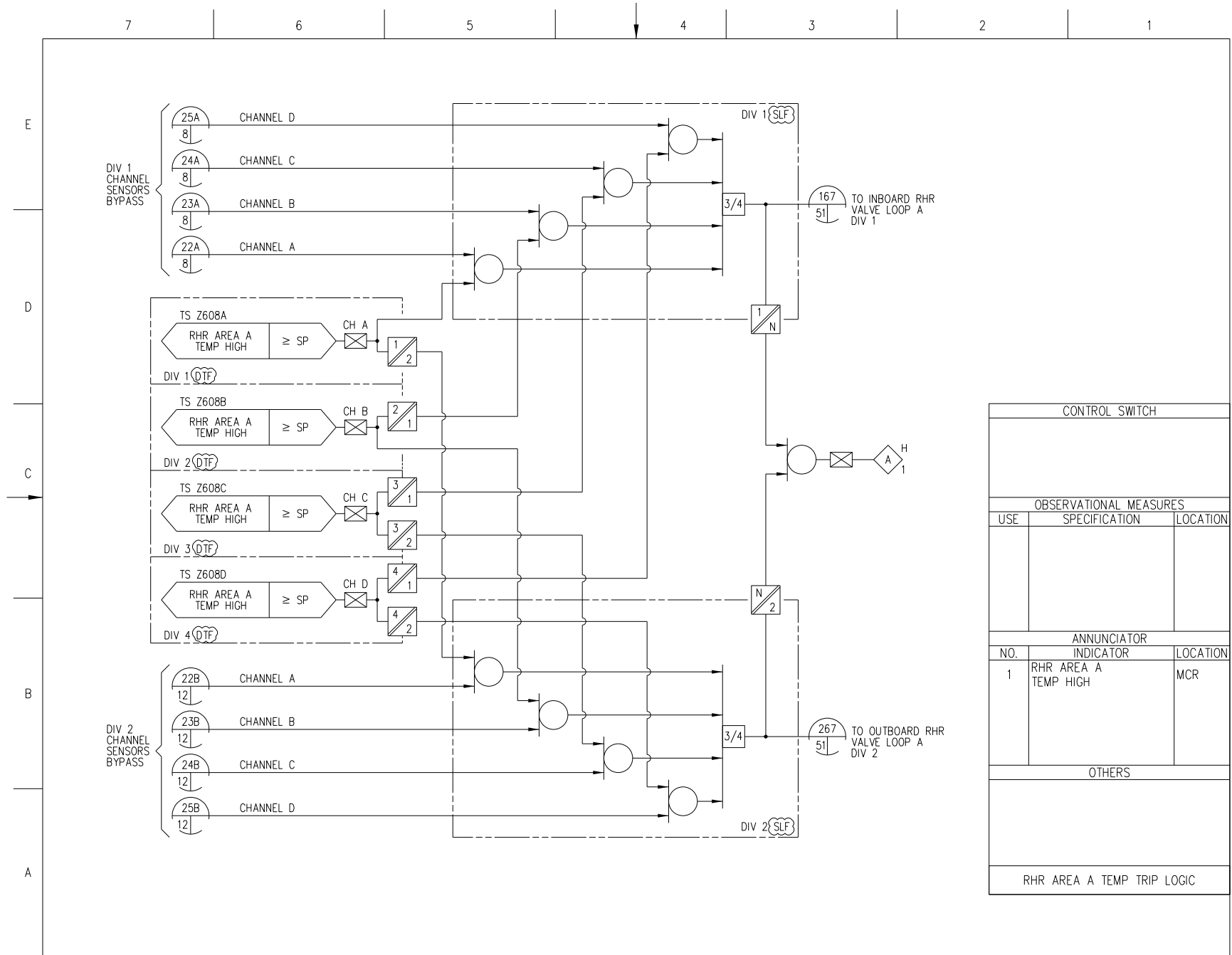


Figure 7.3-5 – Leak Detection and Isolation System IBD (Sheet 48 of 77)

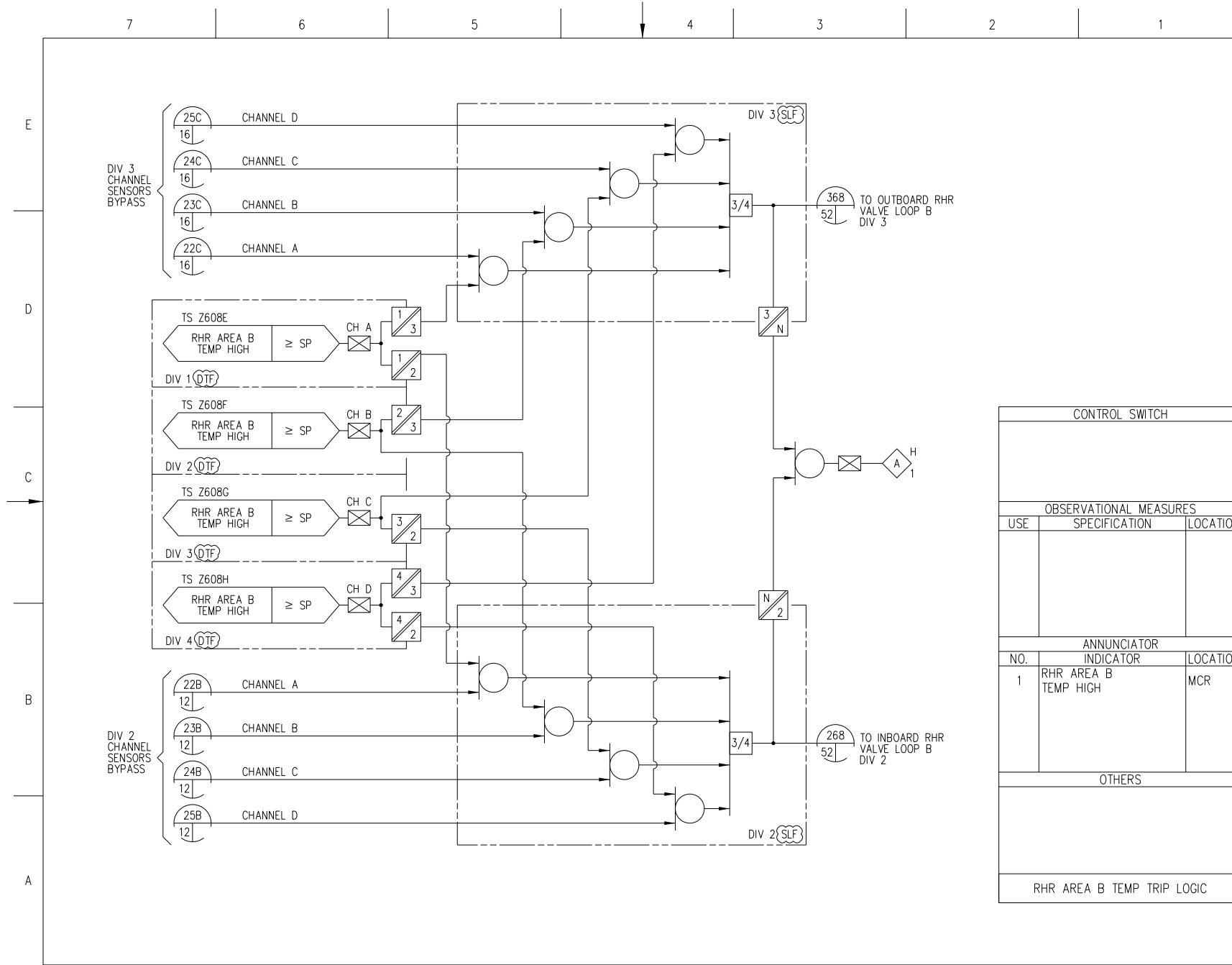
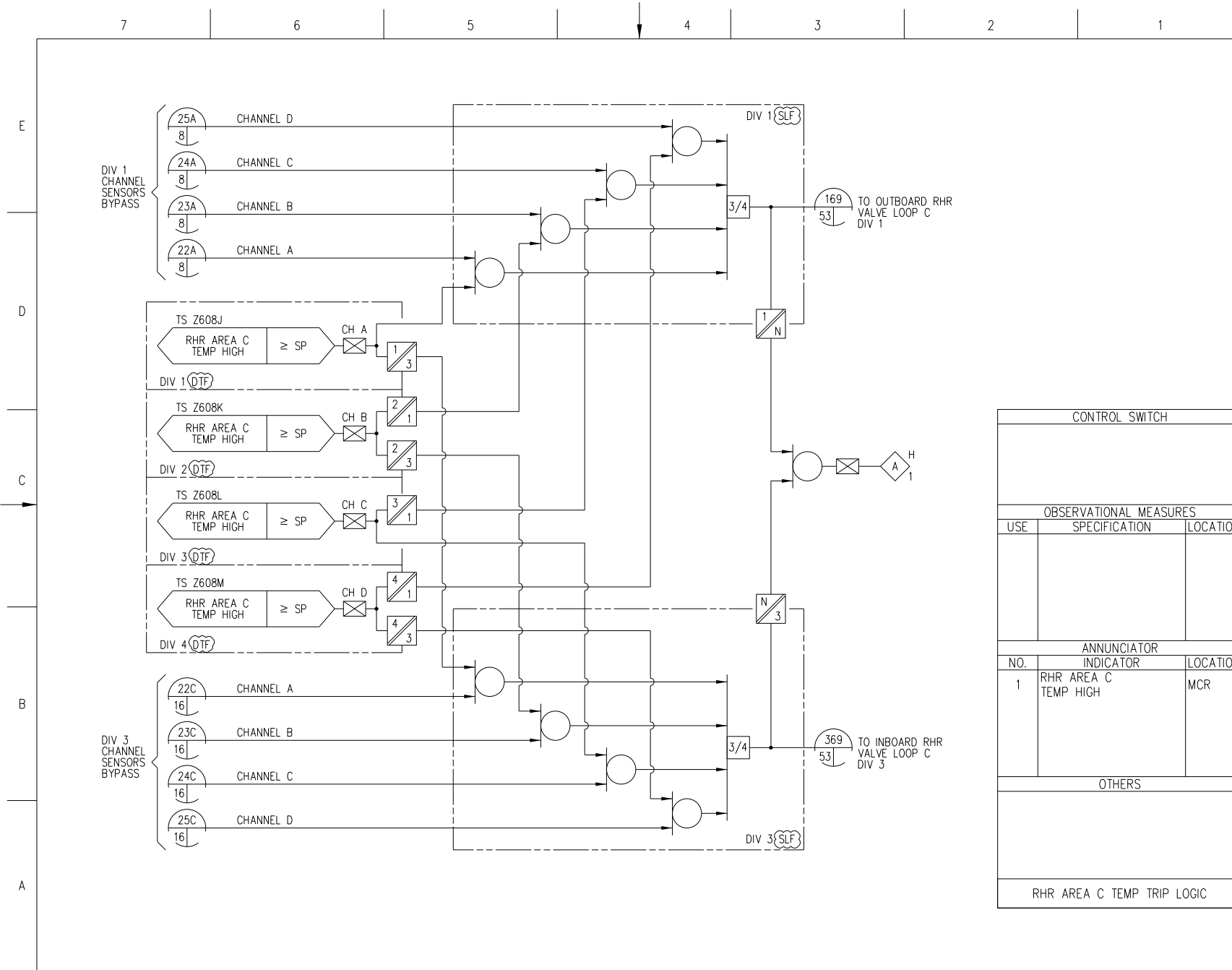


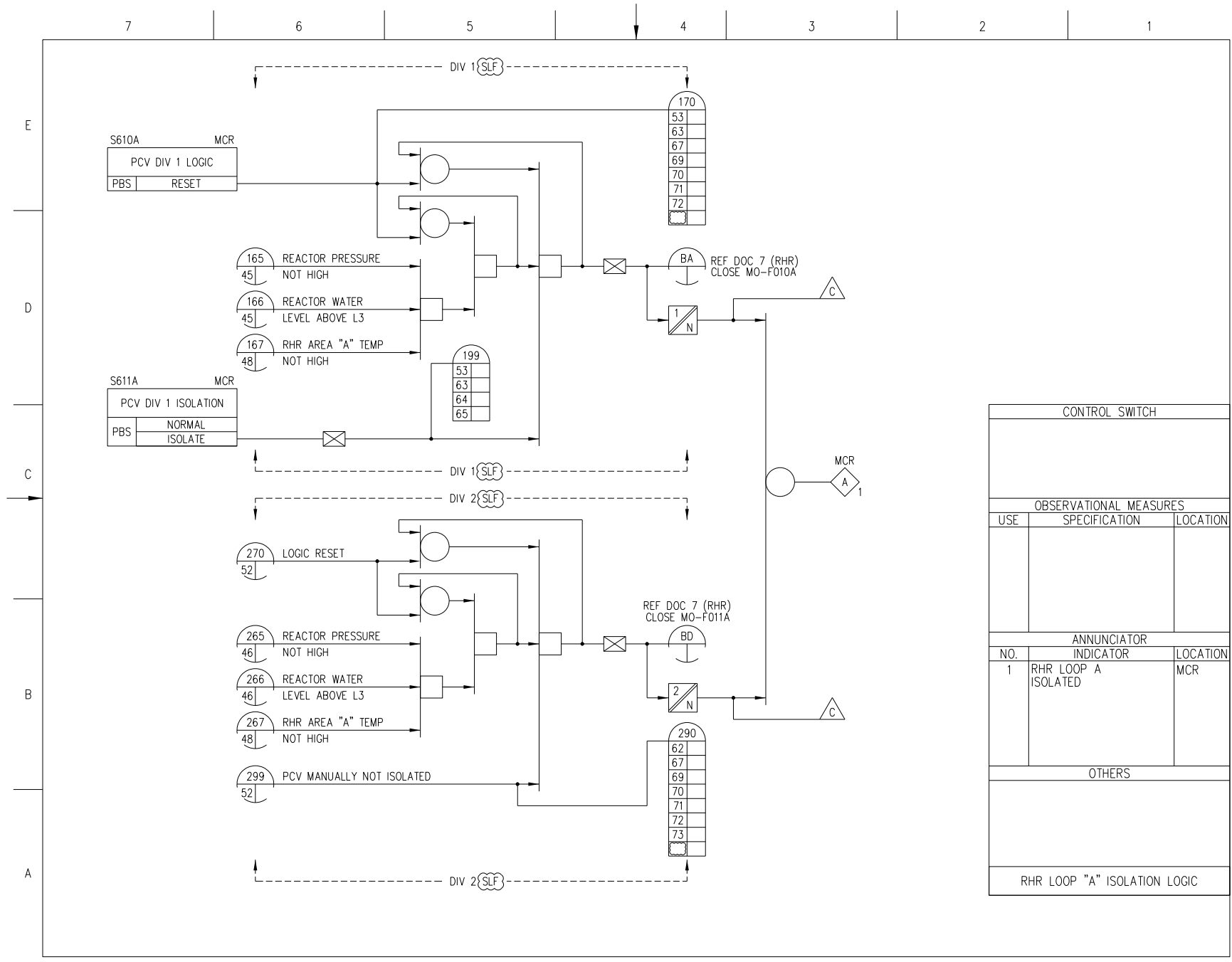
Figure 7.3-5 – Leak Detection and Isolation System IBD (Sheet 49 of 77)

CONTROL SWITCH		
OBSERVATIONAL MEASURES		
USE	SPECIFICATION	LOCATION
ANNUNCIATOR		
NO.	INDICATOR	LOCATION
1	RHR AREA B TEMP HIGH	MCR
OTHERS		
RHR AREA B TEMP TRIP LOGIC		



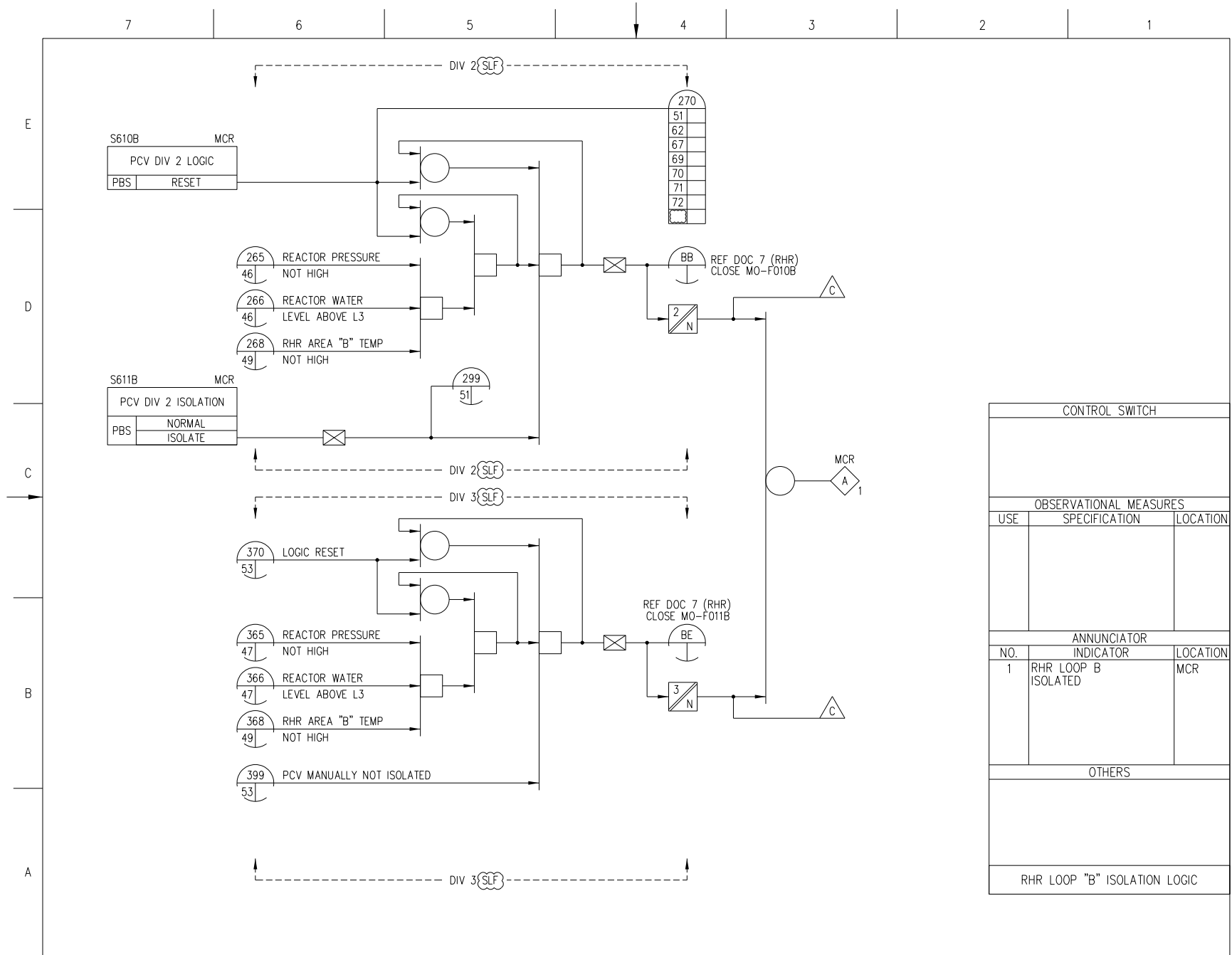
CONTROL SWITCH		
OBSERVATIONAL MEASURES		
USE	SPECIFICATION	LOCATION
ANNUNCIATOR INDICATOR		
NO.	INDICATOR	LOCATION
1	RHR AREA C TEMP HIGH	MCR
OTHERS		
RHR AREA C TEMP TRIP LOGIC		

Figure 7.3-5 – Leak Detection and Isolation System IBD (Sheet 50 of 77)



CONTROL SWITCH		
OBSERVATIONAL MEASURES		
USE	SPECIFICATION	LOCATION
ANNUNCIATOR		
NO.	INDICATOR	LOCATION
1	RHR LOOP A ISOLATED	MCR
OTHERS		
RHR LOOP "A" ISOLATION LOGIC		

Figure 7.3-5 – Leak Detection and Isolation System IBD (Sheet 51 of 77)



CONTROL SWITCH		
OBSERVATIONAL MEASURES		
USE	SPECIFICATION	LOCATION
ANNUNCIATOR		
NO.	INDICATOR	LOCATION
1	RHR LOOP B ISOLATED	MCR
OTHERS		
RHR LOOP "B" ISOLATION LOGIC		

Figure 7.3-5 – Leak Detection and Isolation System IBD (Sheet 52 of 77)

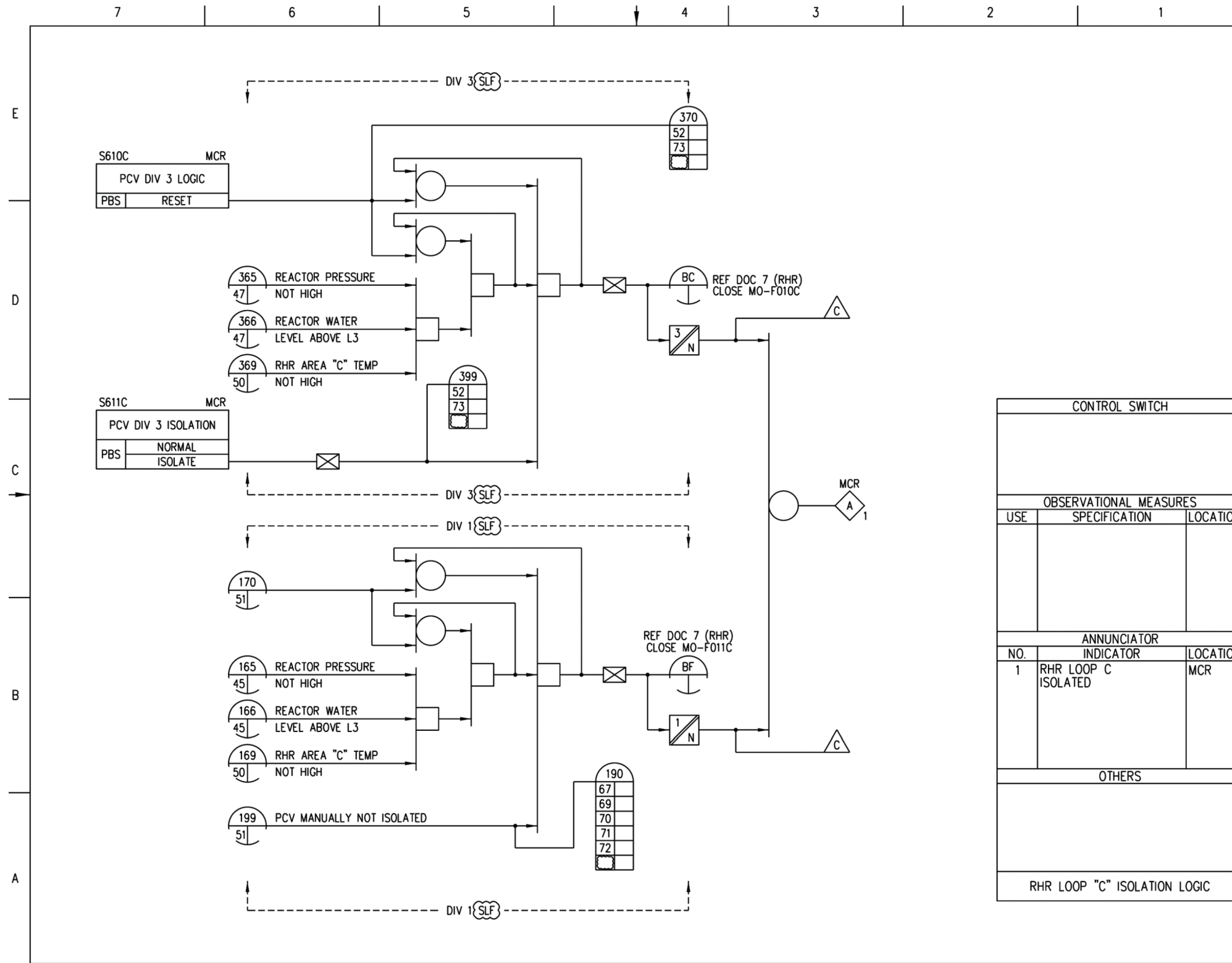


Figure 7.3-5 – Leak Detection and Isolation System IBD (Sheet 53 of 77)

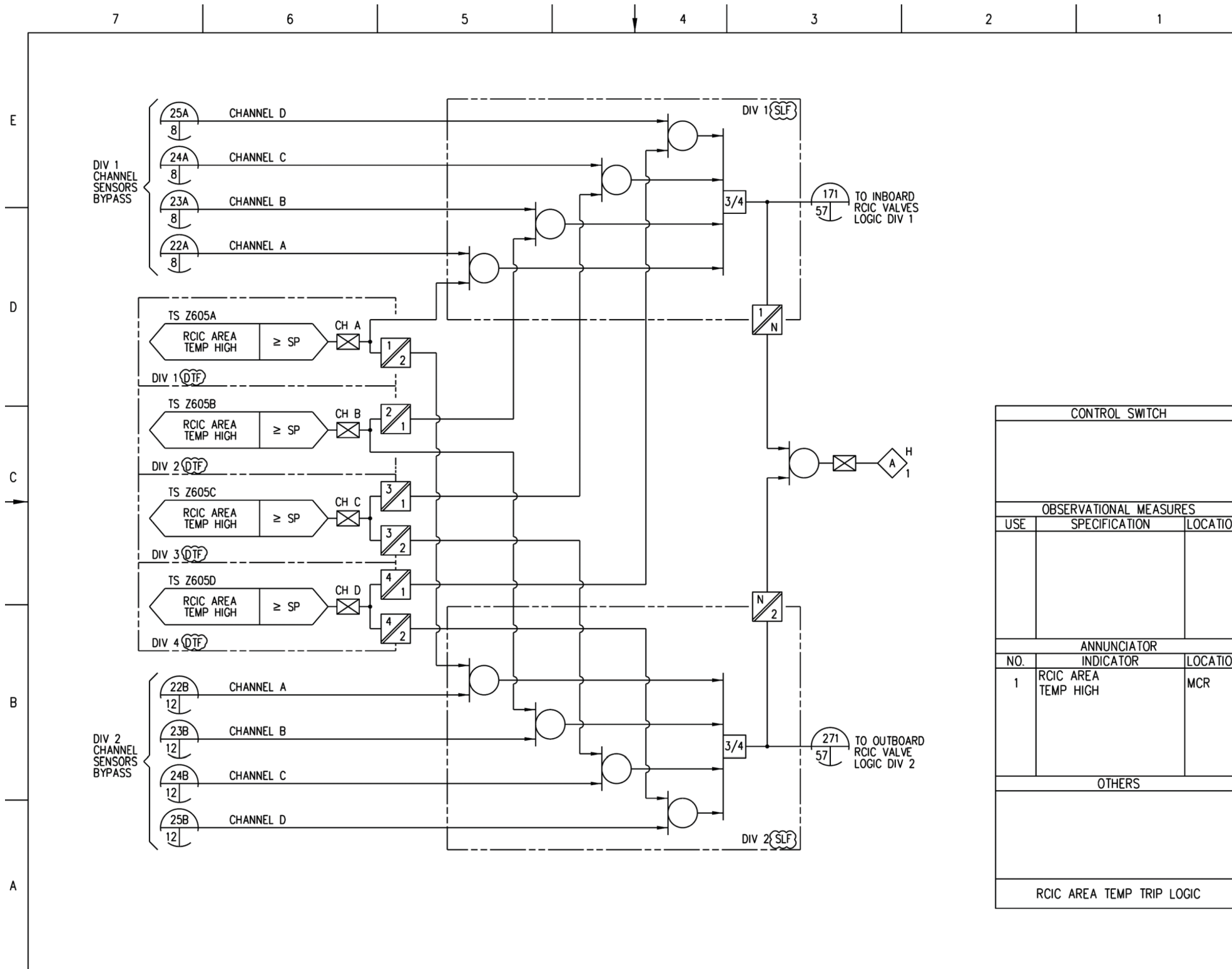
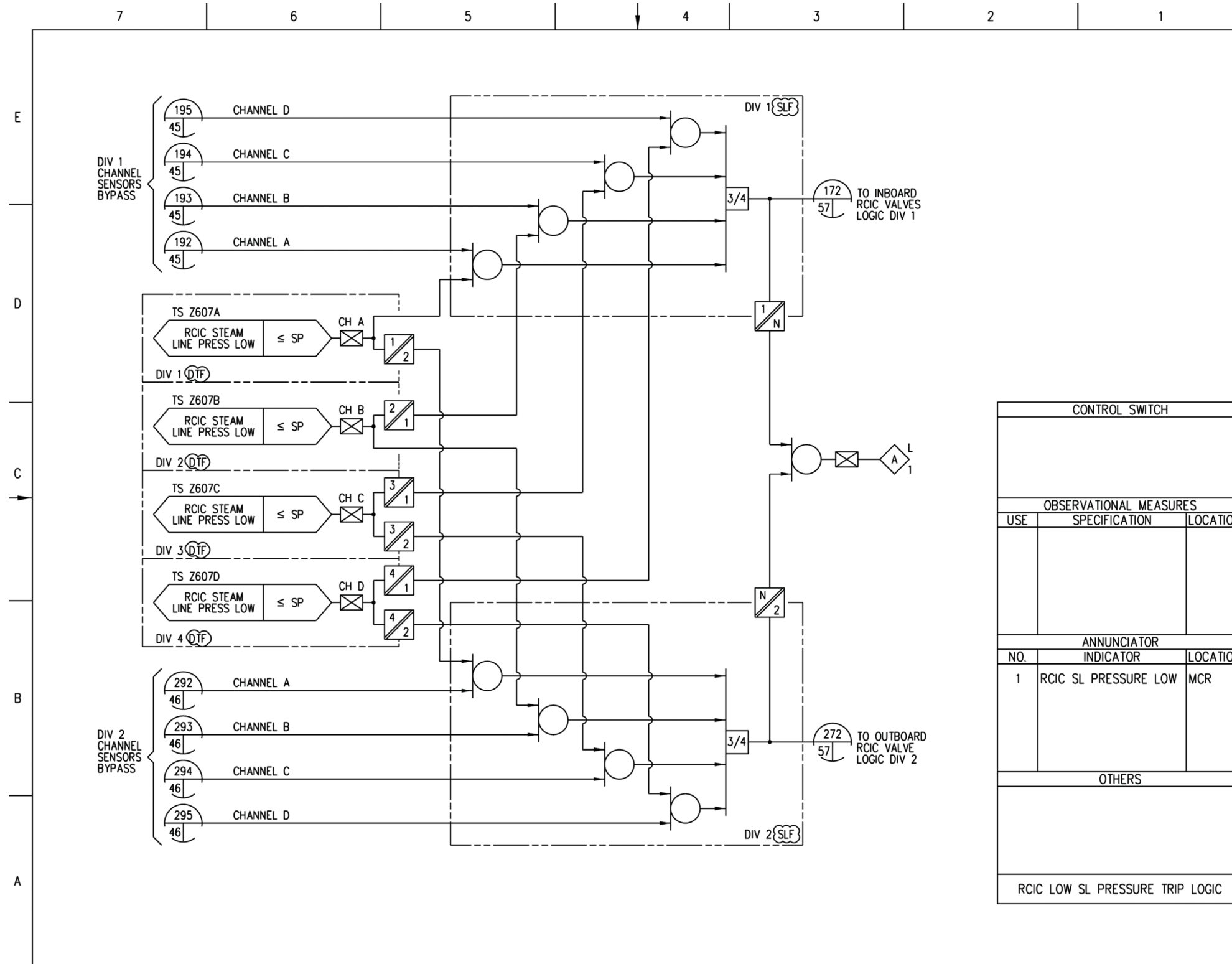


Figure 7.3-5 – Leak Detection and Isolation System IBD (Sheet 54 of 77)



CONTROL SWITCH		
OBSERVATIONAL MEASURES		
USE	SPECIFICATION	LOCATION
ANNUNCIATOR		
NO.	INDICATOR	LOCATION
1	RCIC SL PRESSURE LOW	MCR
OTHERS		
RCIC LOW SL PRESSURE TRIP LOGIC		

Figure 7.3-5 – Leak Detection and Isolation System IBD (Sheet 55 of 77)

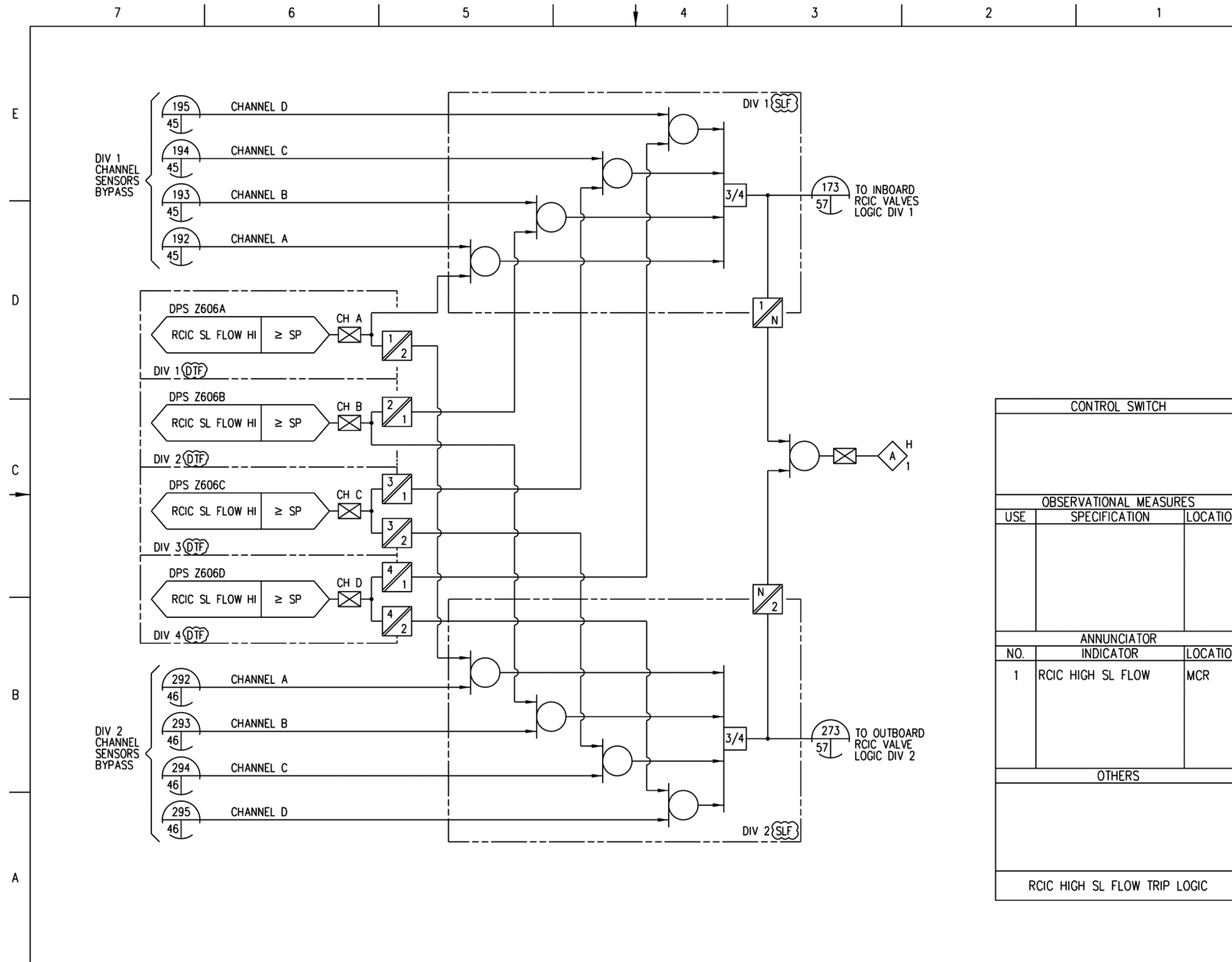


Figure 7.3-5 – Leak Detection and Isolation System IBD (Sheet 56 of 77)

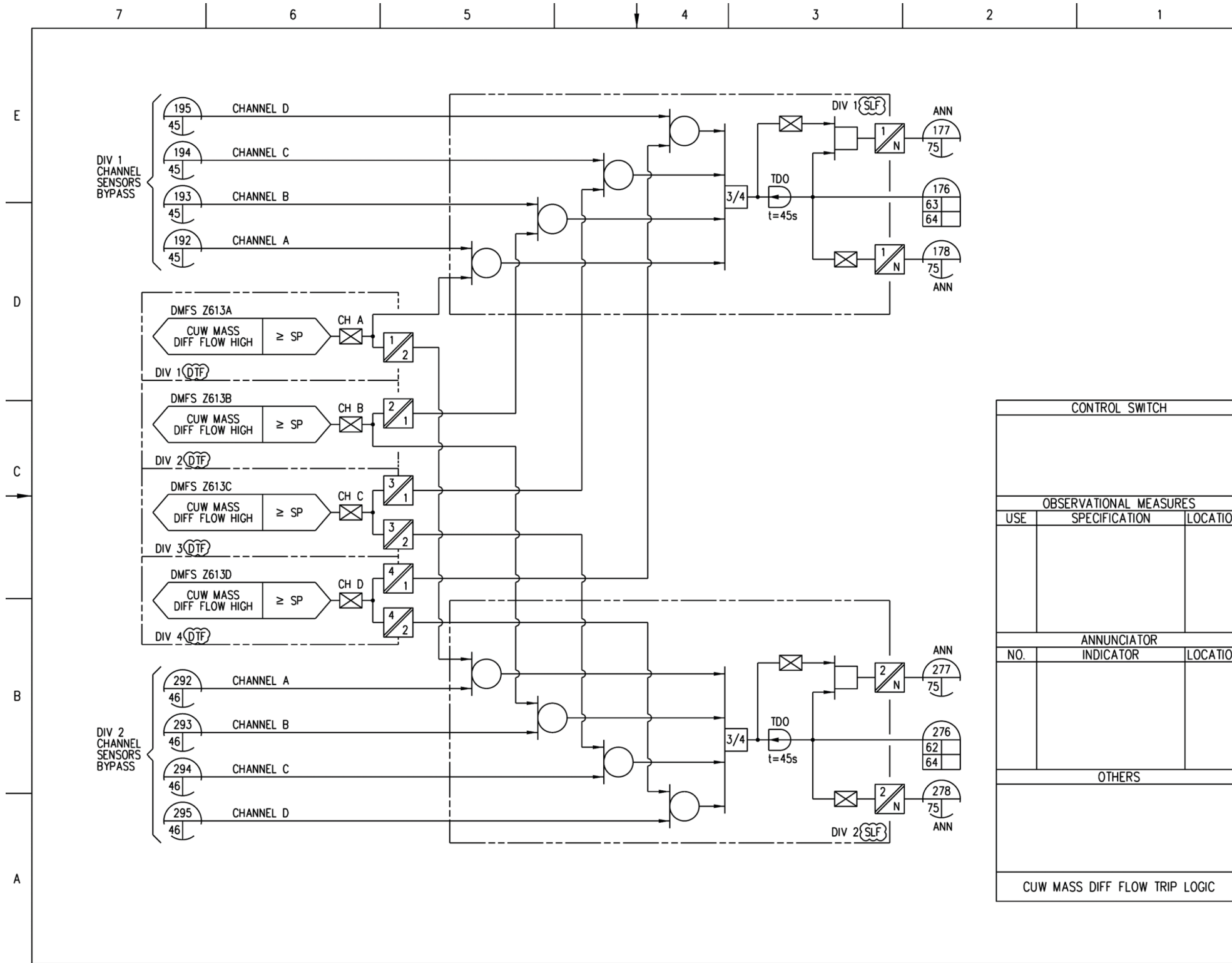
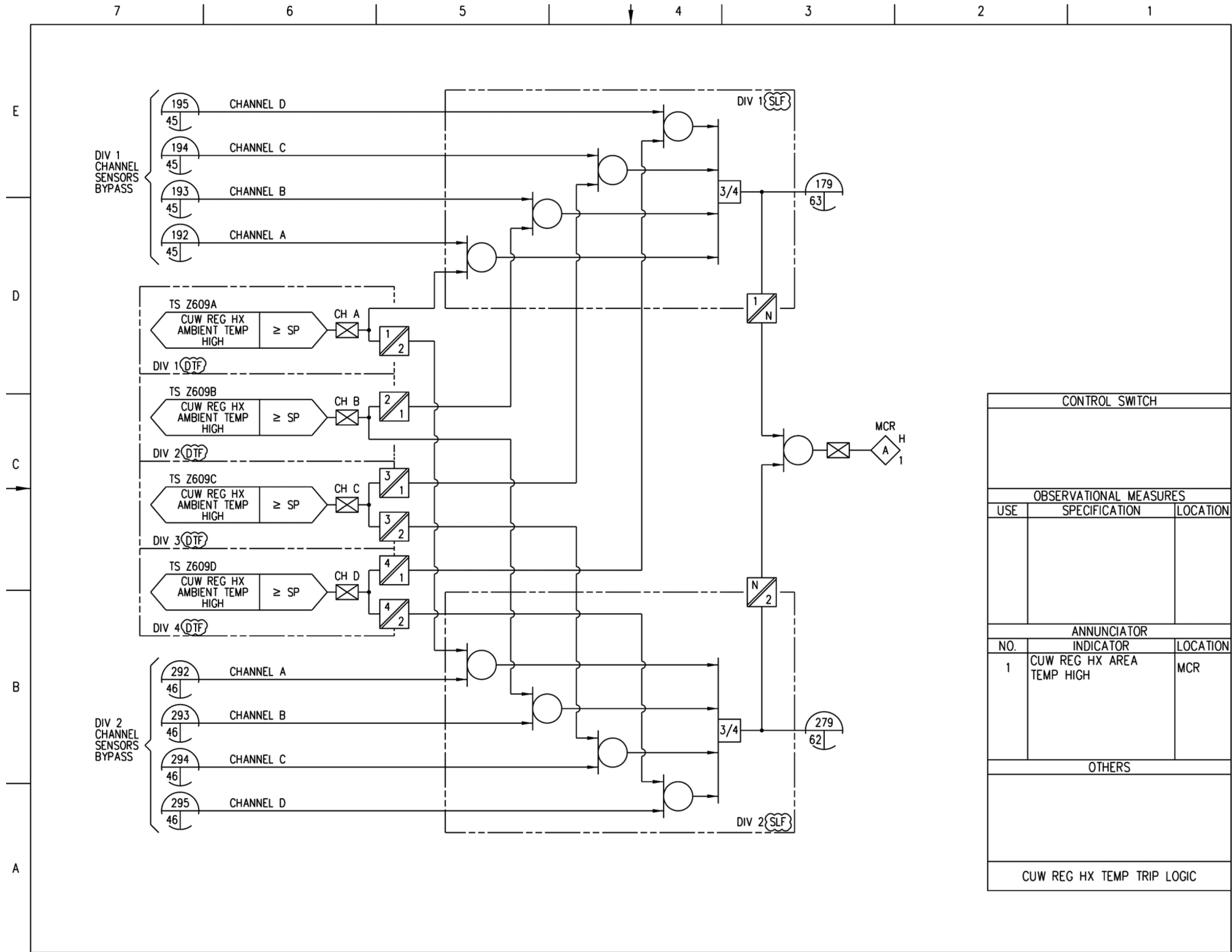


Figure 7.3-5 – Leak Detection and Isolation System IBD (Sheet 58 of 77)



CONTROL SWITCH		
OBSERVATIONAL MEASURES		
USE	SPECIFICATION	LOCATION
ANNUNCIATOR		
NO.	INDICATOR	LOCATION
1	CUW REG HX AREA TEMP HIGH	MCR
OTHERS		
CUW REG HX TEMP TRIP LOGIC		

Figure 7.3-5 – Leak Detection and Isolation System IBD (Sheet 59 of 77)

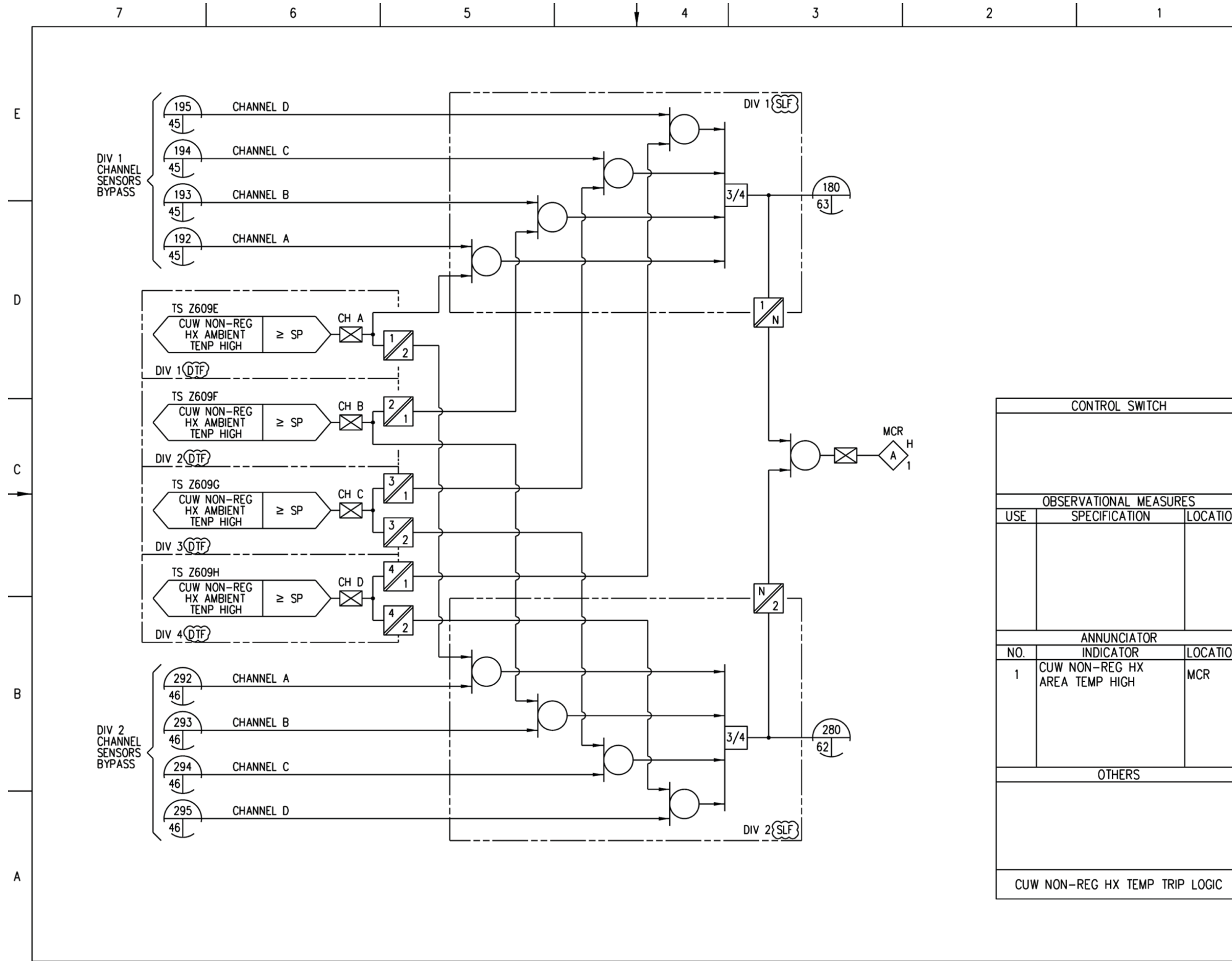


Figure 7.3-5 – Leak Detection and Isolation System IBD (Sheet 60 of 77)

CONTROL SWITCH		
OBSERVATIONAL MEASURES		
USE	SPECIFICATION	LOCATION
ANNUNCIATOR		
NO.	INDICATOR	LOCATION
1	CUW NON-REG HX AREA TEMP HIGH	MCR
OTHERS		
CUW NON-REG HX TEMP TRIP LOGIC		

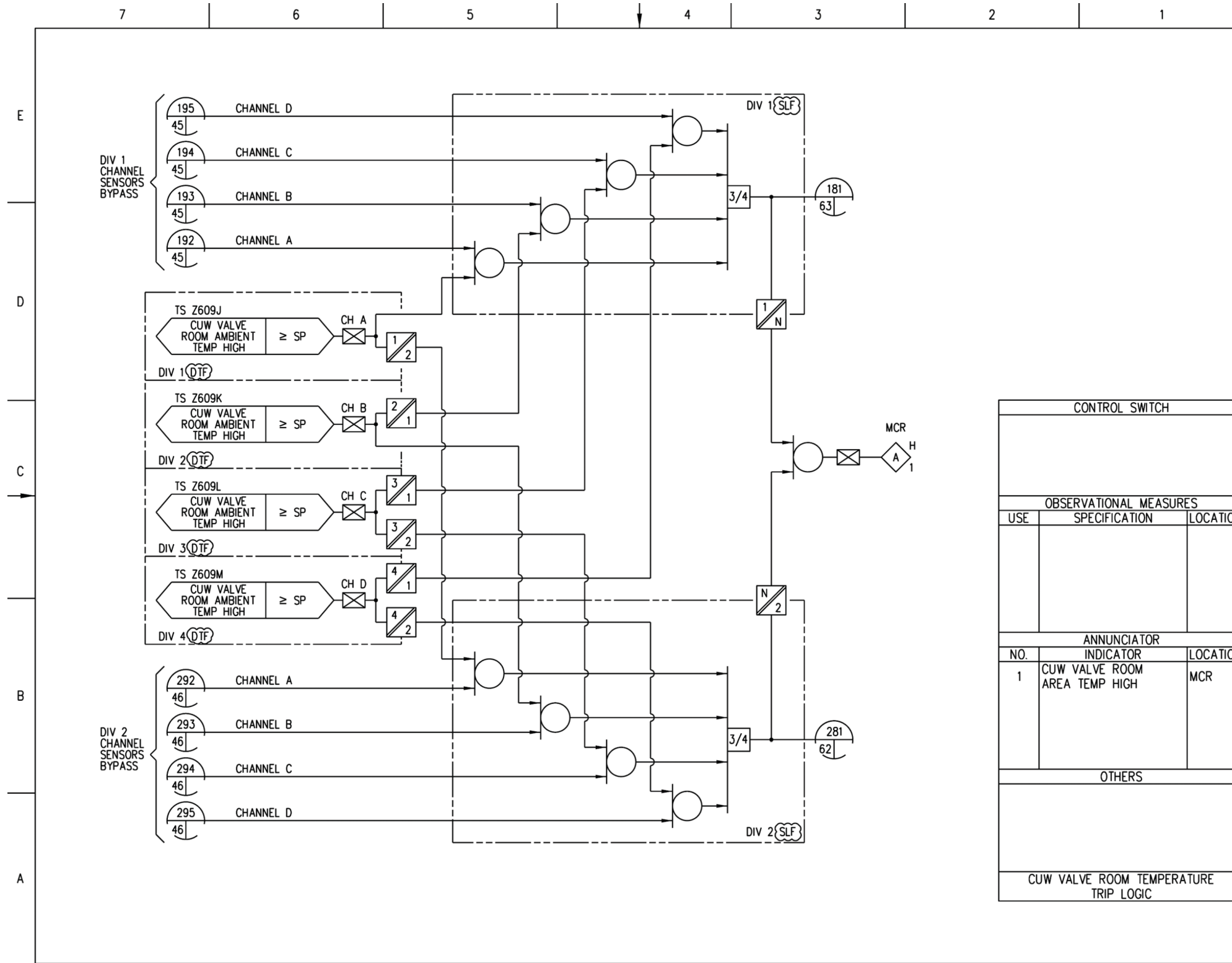


Figure 7.3-5 – Leak Detection and Isolation System IBD (Sheet 61 of 77)

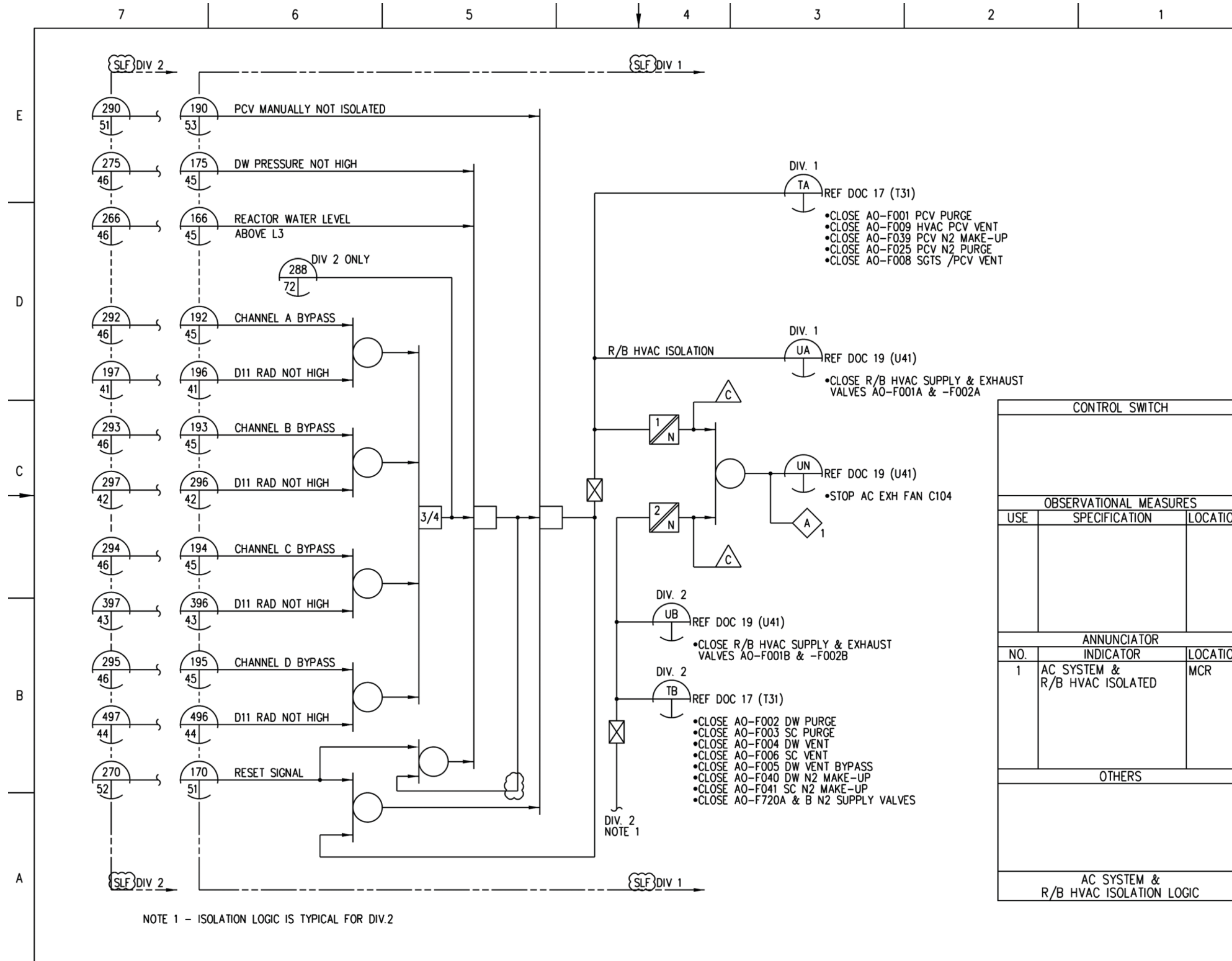


Figure 7.3-5 – Leak Detection and Isolation System IBD (Sheet 72 of 77)

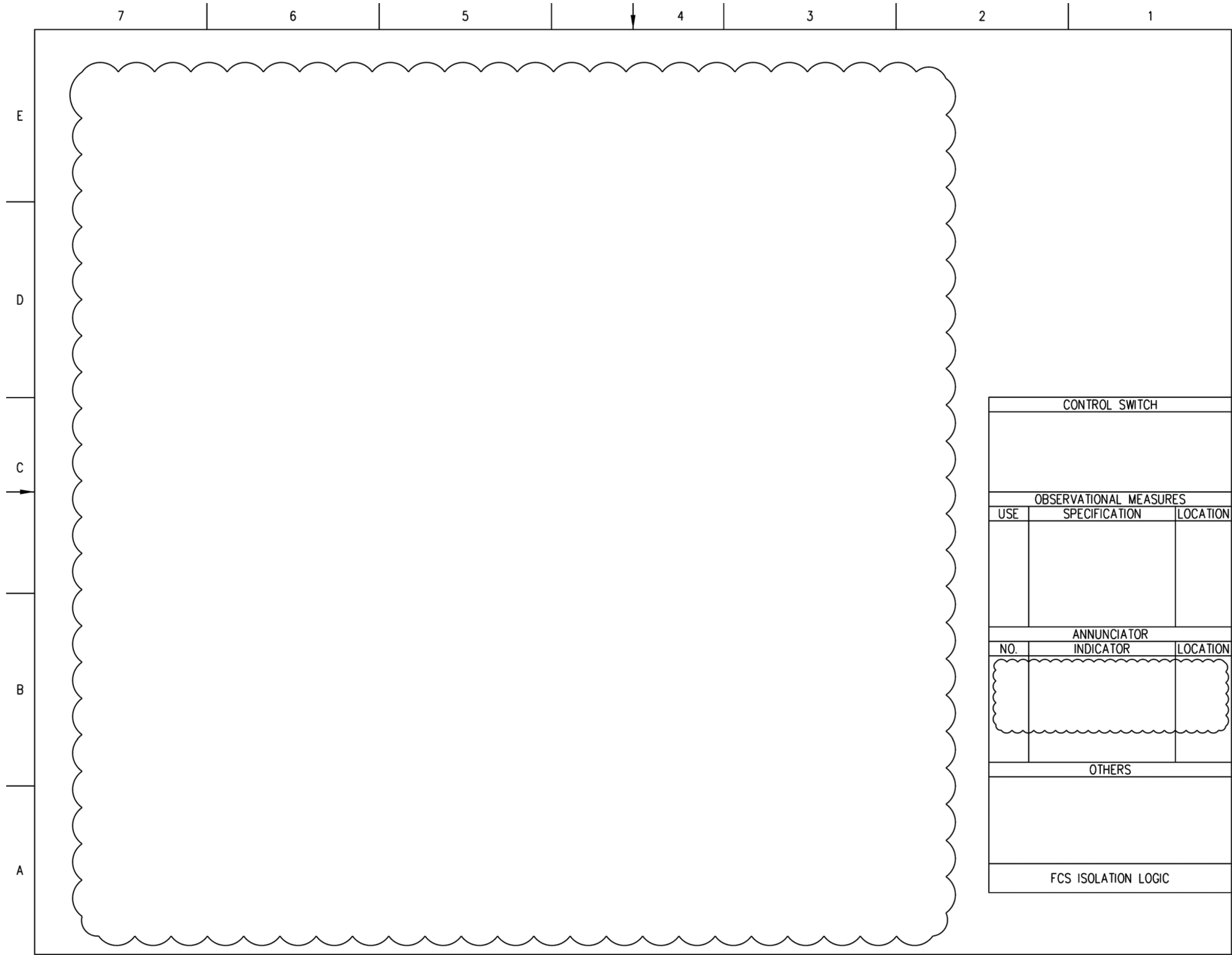


Figure 7.3-5 – Leak Detection and Isolation System IBD (Sheet 74 of 77)

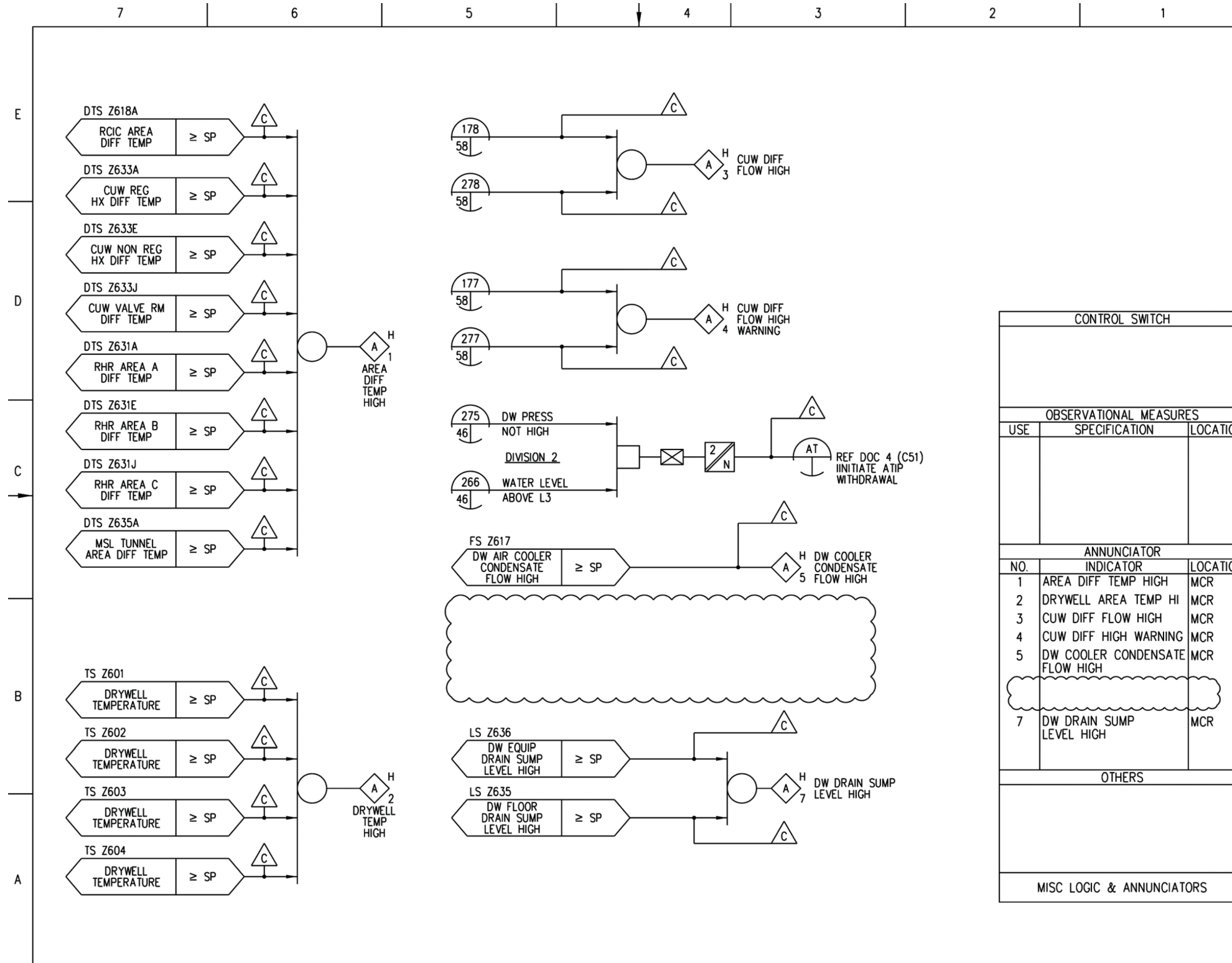


Figure 7.3-5 – Leak Detection and Isolation System IBD (Sheet 75 of 77)

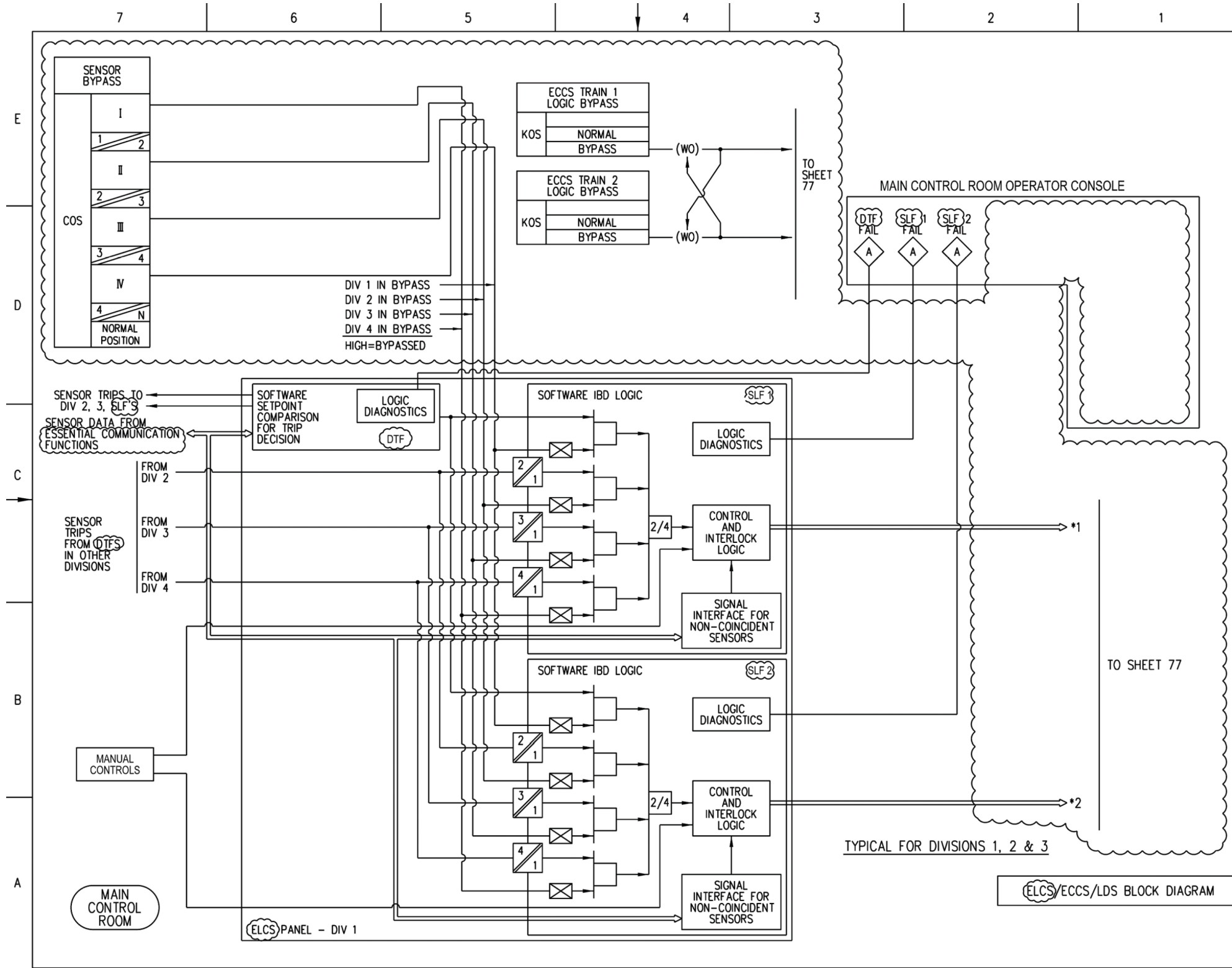


Figure 7.3-5 – Leak Detection and Isolation System IBD (Sheet 76 of 77)

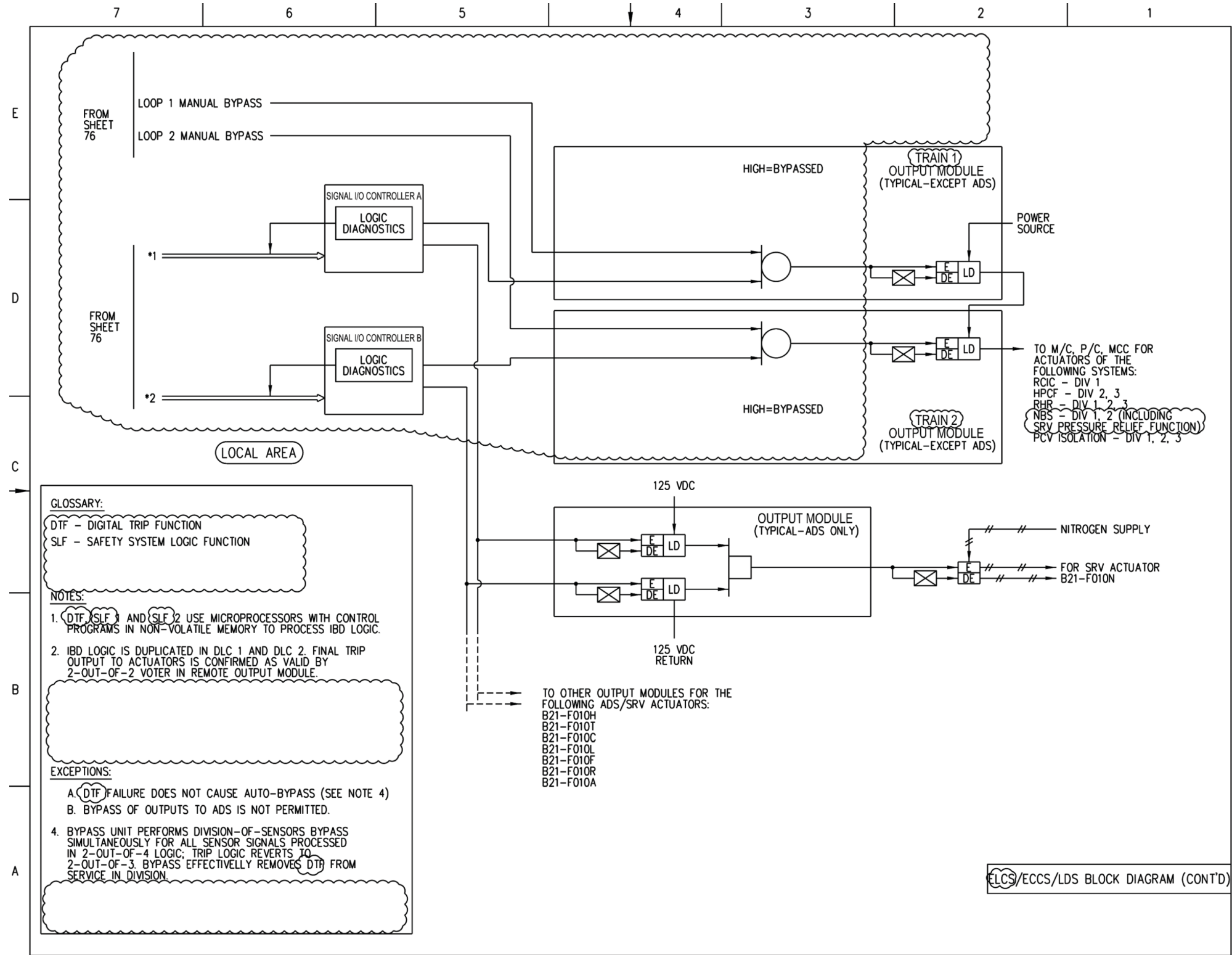


Figure 7.3-5 – Leak Detection and Isolation System IBD (Sheet 77 of 77)

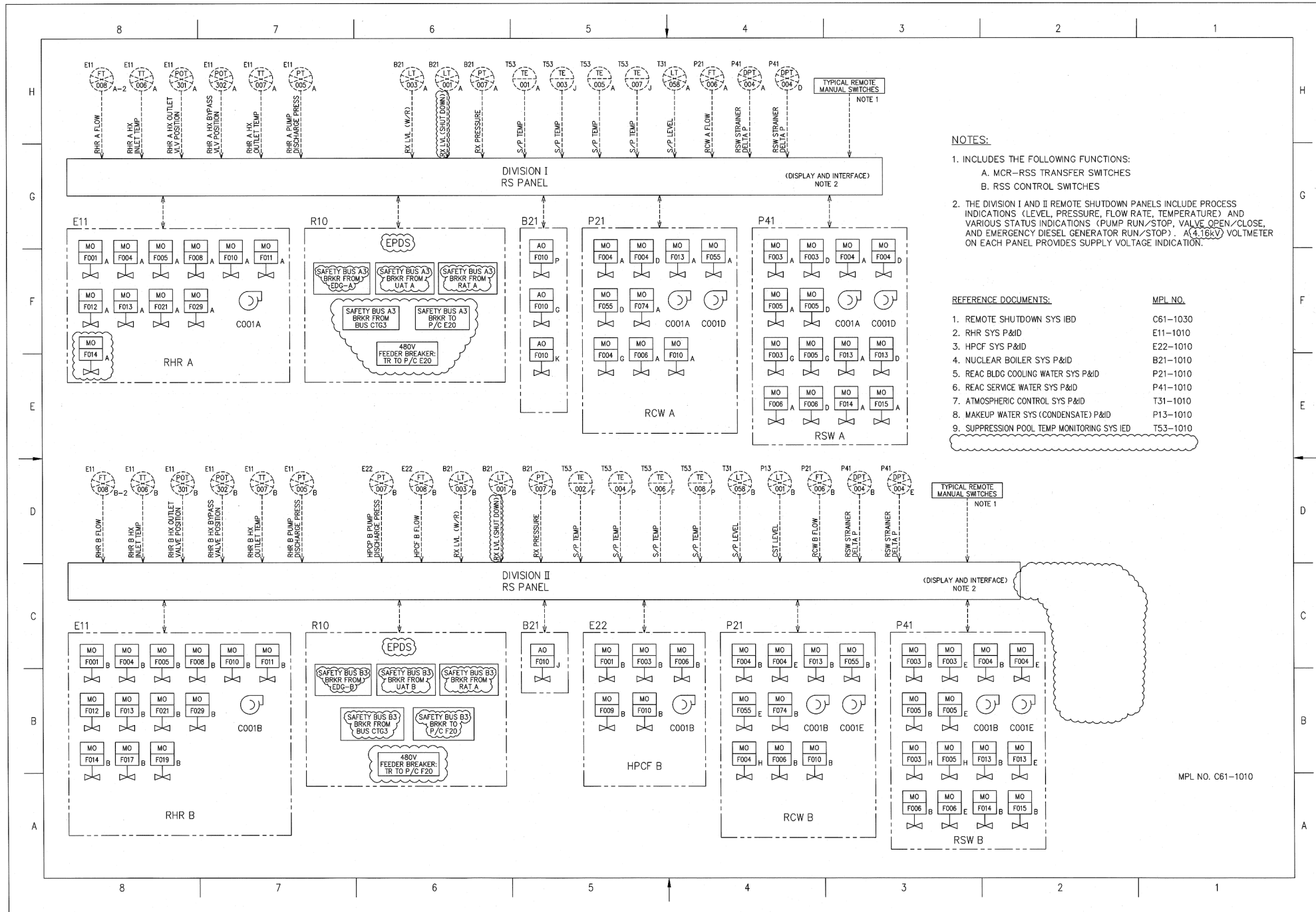


Figure 7.4-2 – Remote Shutdown System IED (Sheet 1 of 1)

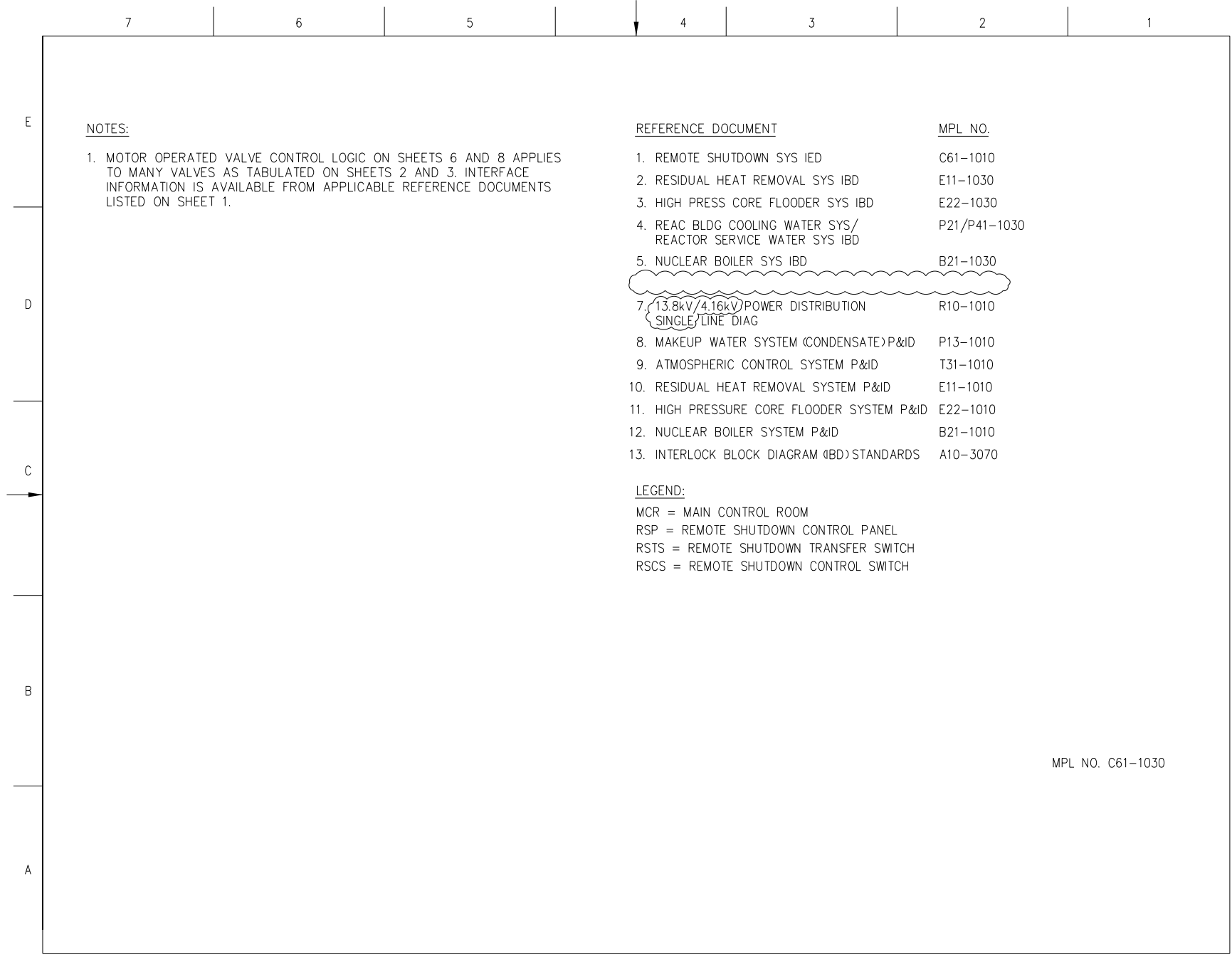


Figure 7.4-3 – Remote Shutdown System IBD (Sheet 1 of 27)

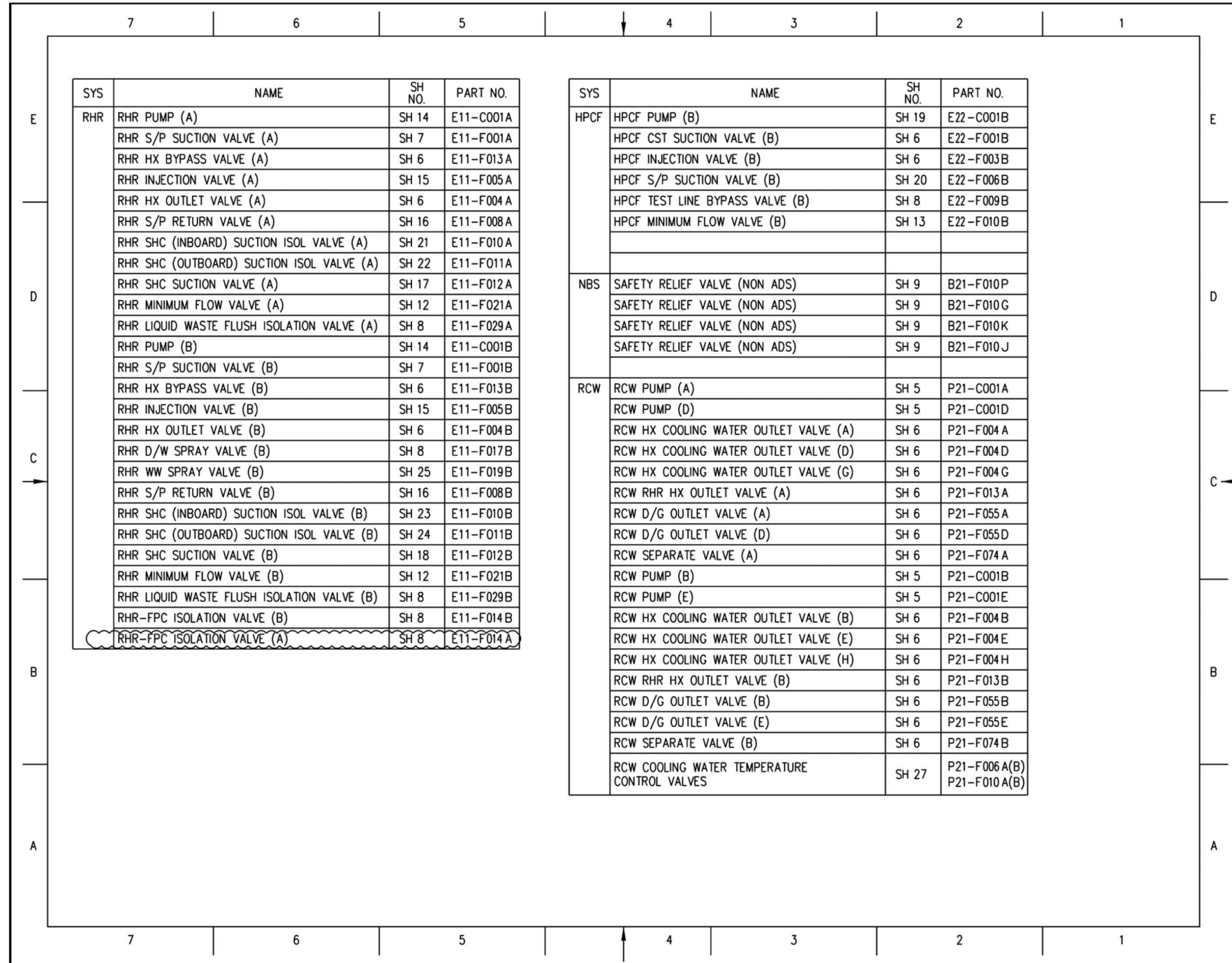


Figure 7.4-3 – Remote Shutdown System IBD (Sheet 2 of 27)

