

Figure 7.2-10 – Reactor Protection System IBD (Sheet 1 of 72)

SH NO.	TITLE	SH NO.	TITLE
1	NOTES	37	BLANK
2	TABLE OF CONTENTS, REF DOCUMENTS, SUPPORTING DOCUMENTS, ABBREVIATIONS	38	BLANK
3	DIV 1 (TLF) RX MODE AND RELATED BYPASSES	39	DIV 1 TLF; DW PRESS DIV 1 TRIP LOGIC
4	DIV 2 (TLF) RX MODE AND RELATED BYPASSES	40	DIV 2 TLF; DW PRESS DIV 2 TRIP LOGIC
5	DIV 3 (TLF) RX MODE AND RELATED BYPASSES	41	DIV 3 TLF; DW PRESS DIV 3 TRIP LOGIC
6	DIV 4 (TLF) RX MODE AND RELATED BYPASSES	42	DIV 4 TLF; DW PRESS DIV 4 TRIP LOGIC
7	DIV 1 BPU; BYPASS LOGIC (TLF) BYPASS, CHANNEL SENSOR BYPASS, SPECIAL MSLI TRIP BYPASS	43	DIV 1 (TLF); RX WTR LVL DIV 1, CRD PRESS DIV 1 TRIP LOGIC
8	DIV 2 BPU; BYPASS LOGIC (TLF) BYPASS, CHANNEL SENSOR BYPASS, SPECIAL MSLI TRIP BYPASS	44	DIV 2 (TLF); RX WTR LVL DIV 2, CRD PRESS DIV 2 TRIP LOGIC
9	DIV 3 BPU; BYPASS LOGIC (TLF) BYPASS, CHANNEL SENSOR BYPASS, SPECIAL MSLI TRIP BYPASS	45	DIV 3 (TLF); RX WTR LVL DIV 3, CRD PRESS DIV 3 TRIP LOGIC
10	DIV 4 BPU; BYPASS LOGIC (TLF) BYPASS, CHANNEL SENSOR BYPASS, SPECIAL MSLI TRIP BYPASS	46	DIV 4 (TLF); RX WTR LVL DIV 4, CRD PRESS DIV 4 TRIP LOGIC
11	DIV 1 (DTF); CHANNEL A SENSOR TRIP LOGIC	47	DIV 1 (TLF); DIV 1 AUTO-SCRAM LOGIC
12	DIV 2 (DTF); CHANNEL B SENSOR TRIP LOGIC	48	DIV 2 (TLF); DIV 2 AUTO-SCRAM LOGIC
13	DIV 3 (DTF); CHANNEL C SENSOR TRIP LOGIC	49	DIV 3 (TLF); DIV 3 AUTO-SCRAM LOGIC
14	DIV 4 (DTF); CHANNEL D SENSOR TRIP LOGIC	50	DIV 4 (TLF); DIV 4 AUTO-SCRAM LOGIC
15	DIV 1 (DTF); CHANNEL A SENSOR TRIP LOGIC	51	DIV 1 (TLF); TRIP IN CH A BYPASSED SENSOR
16	DIV 2 (DTF); CHANNEL B SENSOR TRIP LOGIC	52	DIV 2 (TLF); TRIP IN CH B BYPASSED SENSOR
17	DIV 3 (DTF); CHANNEL C SENSOR TRIP LOGIC	53	DIV 3 (TLF); TRIP IN CH C BYPASSED SENSOR
18	DIV 4 (DTF); CHANNEL D SENSOR TRIP LOGIC	54	DIV 4 (TLF); TRIP IN CH D BYPASSED SENSOR
19	DIV 1 (TLF) NMS DIV 1 TRIP LOGIC	55	DIV 2 PDLU; MANUAL SCRAM, SEAL-IN AND MANUAL SCRAM RESET LOGIC
20	DIV 2 (TLF) NMS DIV 2 TRIP LOGIC	56	DIV 3 PDLU; MANUAL SCRAM, SEAL-IN AND MANUAL SCRAM RESET LOGIC
21	DIV 3 (TLF) NMS DIV 3 TRIP LOGIC	57	DIV 1 OLU; DIV 1 AUTO SCRAM, SEAL-IN, RESET, MANUAL TRIP AND LD TEST LOGIC
22	DIV 4 (TLF) NMS DIV 4 TRIP LOGIC	58	DIV 2 OLU; DIV 2 AUTO SCRAM, SEAL-IN, RESET, MANUAL TRIP AND LD TEST LOGIC
23	DIV 1 (TLF); RX PRESS DIV 1 TRIP, SUPPRESSION POOL TEMP, TSV CLOSURE DIV 1 TRIP LOGIC	59	DIV 3 OLU; DIV 3 AUTO SCRAM, SEAL-IN, RESET, MANUAL TRIP AND LD TEST LOGIC
24	DIV 2 (TLF); RX PRESS DIV 2 TRIP, SUPPRESSION POOL TEMP, TSV CLOSURE DIV 2 TRIP LOGIC	60	DIV 4 OLU; DIV 4 AUTO SCRAM, SEAL-IN, RESET, MANUAL TRIP AND LD TEST LOGIC
25	DIV 3 (TLF); RX PRESS DIV 3 TRIP, SUPPRESSION POOL TEMP, TSV CLOSURE DIV 3 TRIP LOGIC	61	GROUP 1 LD ARRANGEMENT AND HCU'S
26	DIV 4 (TLF); RX PRESS DIV 4 TRIP, SUPPRESSION POOL TEMP, TSV CLOSURE DIV 4 TRIP LOGIC	62	GROUP 2 LD ARRANGEMENT AND HCU'S
27	DIV 1 (TLF); TSV,TCV CLOSURE DIV 1 TRIP LOGIC	63	GROUP 3 LD ARRANGEMENT AND HCU'S
28	DIV 2 (TLF); TSV,TCV CLOSURE DIV 2 TRIP LOGIC	64	GROUP 4 LD ARRANGEMENT AND HCU'S
29	DIV 3 (TLF); TSV,TCV CLOSURE DIV 3 TRIP LOGIC	65	BACKUP SCRAM RELAY ARRANGEMENT AND RESET PERMISSIVE LOGIC
30	DIV 4 (TLF); TSV,TCV CLOSURE DIV 4 TRIP LOGIC	66	BACKUP SCRAM RELAY ARRANGEMENT AND RESET PERMISSIVE LOGIC
31	DIV 1 (TLF); MSLI DIV 1 TRIP LOGIC	67	RPS ALARMS
32	DIV 2 (TLF); MSLI DIV 2 TRIP LOGIC	68	RPS ALARMS
33	DIV 3 (TLF); MSLI DIV 3 TRIP LOGIC	69	RPS ALARMS
34	DIV 4 (TLF); MSLI DIV 4 TRIP LOGIC	70	RPS ALARMS
35	BLANK	71	RPS ALARMS
36	BLANK	72	RPS ALARMS

SUPPORTING DOCUMENTS:	MPL NO.
1. REACTOR PROTECTION SYS DESIGN SPEC	C71-4010
2. REACTOR PROTECTION SYS IED	C71-1040
3. NEUTRON MONITORING SYS IED	C51-1040
4. IBD STANDARDS DESIGN STANDARDS	A10-3070

REFERENCES:	MPL NO.
1. NEUTRON MONITORING SYS IBD	C51-1030
2. LEAK DETECTION SYSTEM IBD	E31-1030
3. ROD CONTROL & INFO SYSTEM IBD	C11-1030
4. CONTROL ROD DRIVE SYSTEM P&ID	C12-1010
5. PROCESS RAD MONITORING SYS IED	D11-1040
6. NUCLEAR BOILER SYS P&ID	B21-1010
7. RECIRC FLOW CONTROL SYS IBD	C81-1030
8. SUPPRESSION POOL TEMPERATURE MONITORING SYSTEM IED	T53-1010

ABBREVIATIONS

BPU - BYPASS UNITS
DTF - DIGITAL TRIP FUNCTION
RDLC - REMOTE DIGITAL LOGIC CONTROLLER
TLF - TRIP LOGIC FUNCTION
SLF - SAFETY SYSTEM LOGIC FUNCTION
OLU - OUTPUT LOGIC UNIT
PDLU - POWER DISTRIBUTION LOGIC UNIT
SCC - SOLENOID CONTROL CENTER
SSFP - SCRAM SOLENOID FUSE PANEL
SSLC - SAFETY SYSTEM LOGIC & CONTROL
APRM - AVERAGE POWER RANGE MONITOR
CRD - CONTROL ROD DRIVE
HCU - HYDRAULIC CONTROL UNIT
MSIV - MAIN STEAM LINE ISOLATION VALVE
MSL - MAIN STEAM LINE
SRNM - STARTUP RANGE NEUTRON MONITOR
mP - MICROPROCESSOR
LD - LOAD DRIVER
KOS - KEY OPERATED SWITCH
HTS - HYDRAULIC TRIP SYSTEM

TABLE OF CONTENTS, REFERENCE DOCUMENTS, SUPPORTING DOCUMENTS, ABBREVIATIONS

Figure 7.2-10 – Reactor Protection System IBD (Sheet 2 of 72)

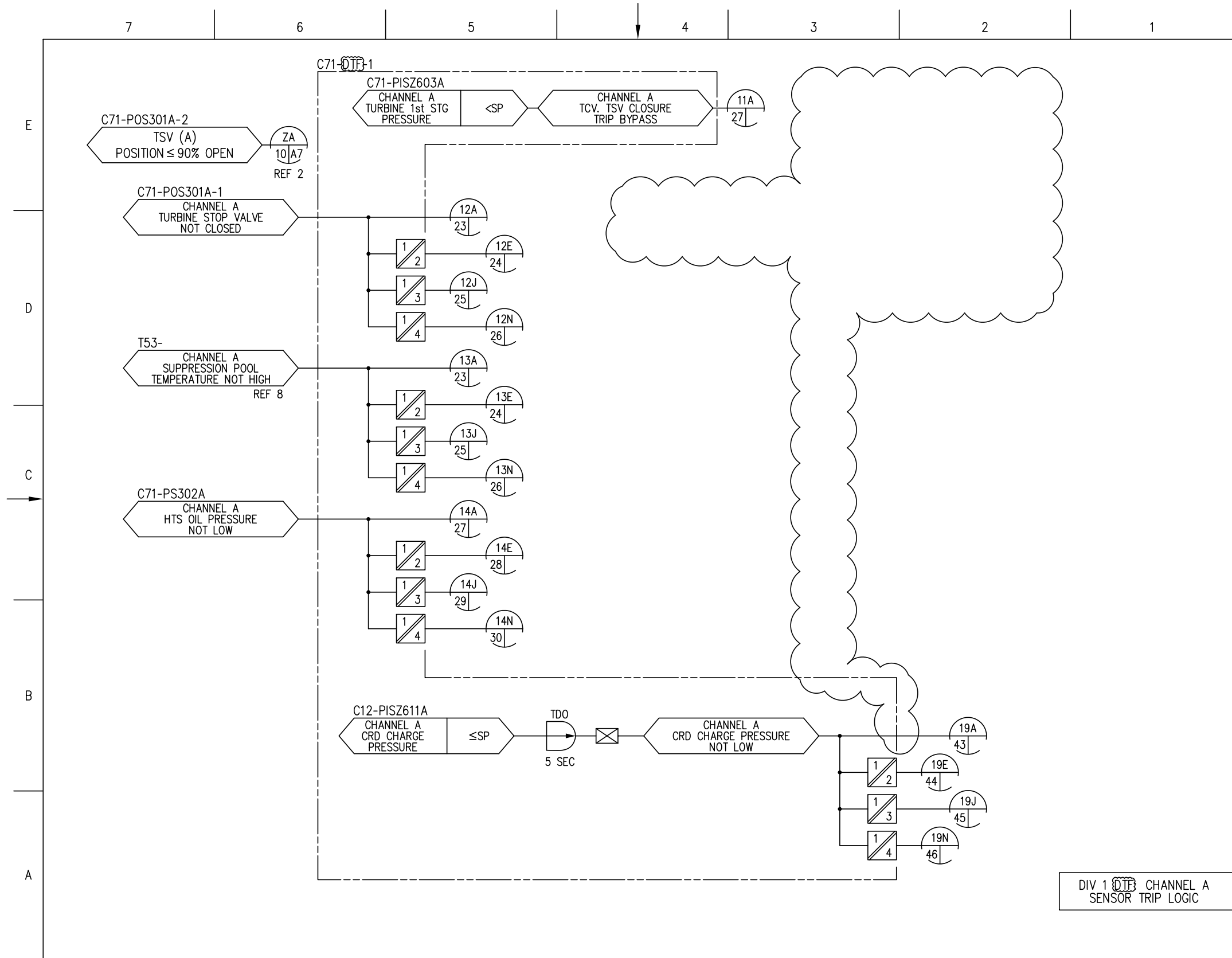


Figure 7.2-10 – Reactor Protection System IBD (Sheet 11 of 72)

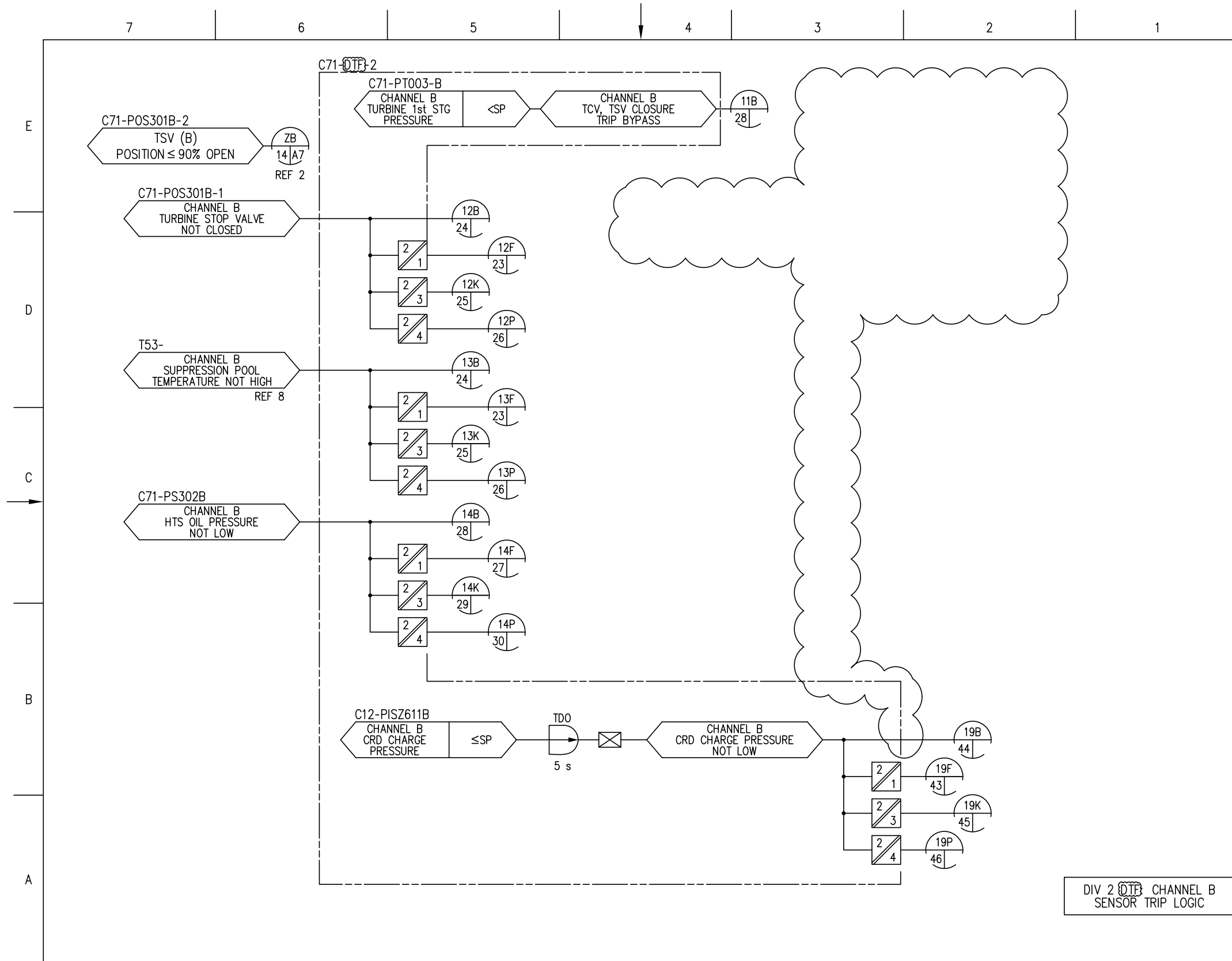
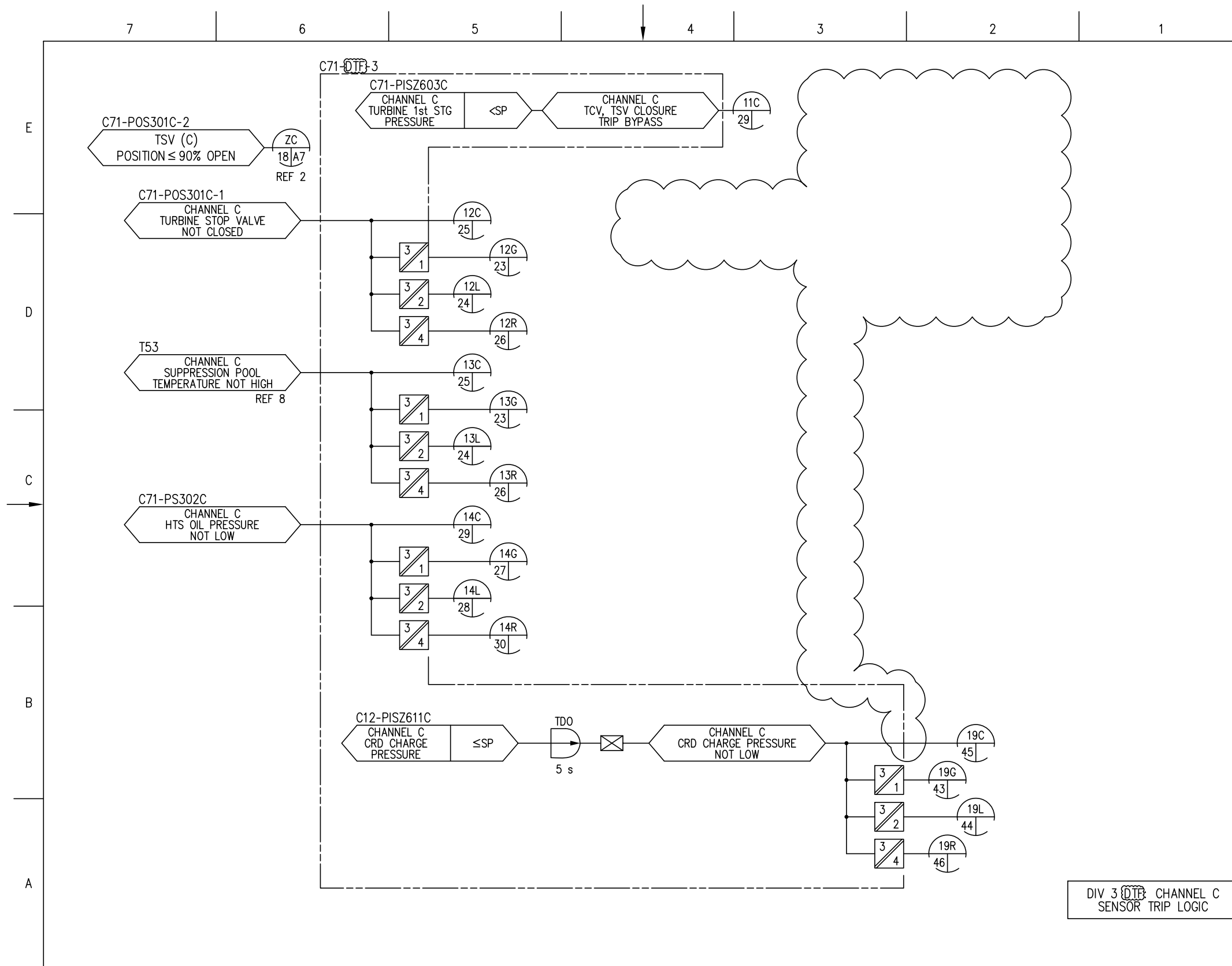


Figure 7.2-10 – Reactor Protection System IBD (Sheet 12 of 72)



DIV 3 ~~DTB~~ CHANNEL C
SENSOR TRIP LOGIC

Figure 7.2-10 – Reactor Protection System IBD (Sheet 13 of 72)

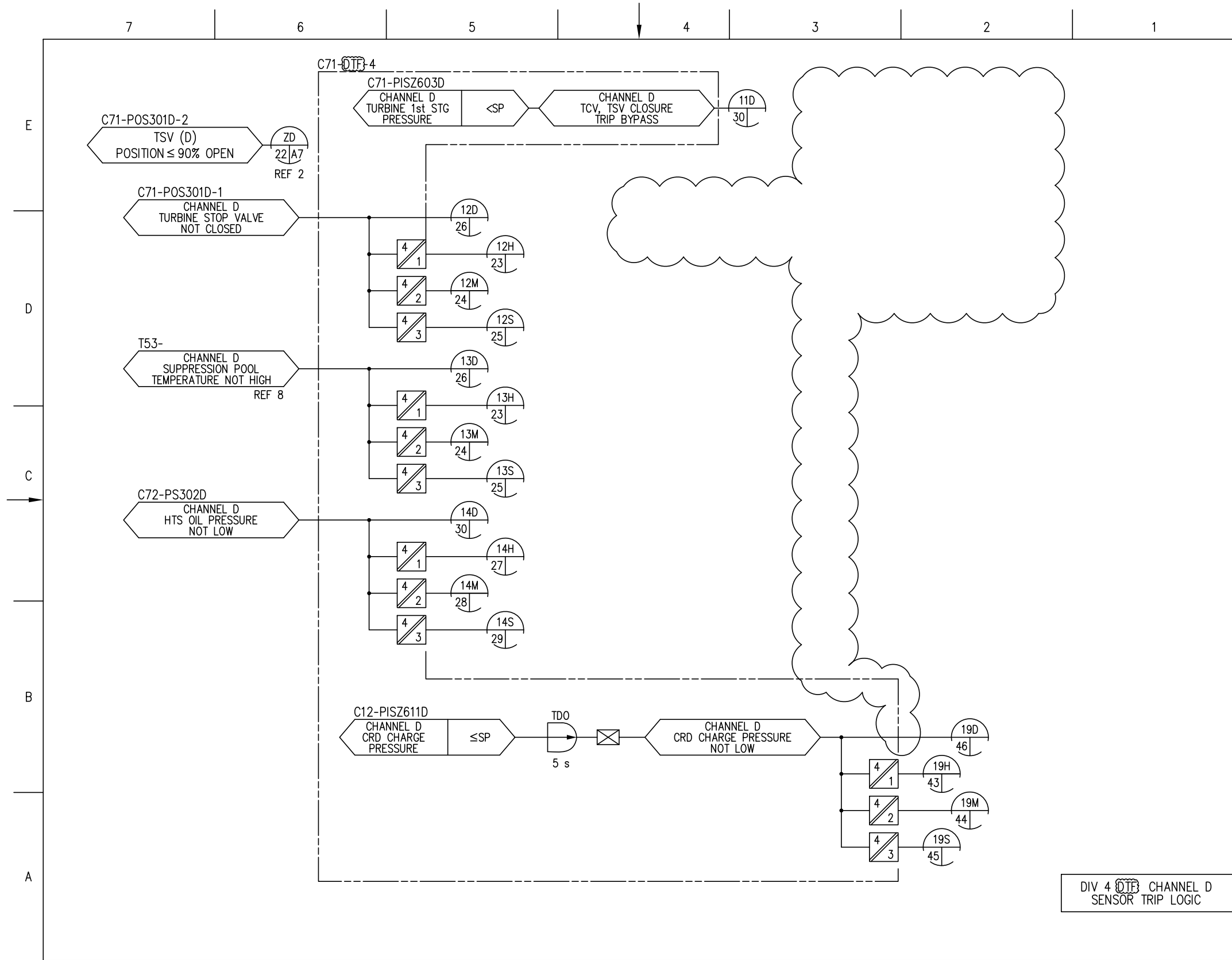


Figure 7.2-10 – Reactor Protection System IBD (Sheet 14 of 72)

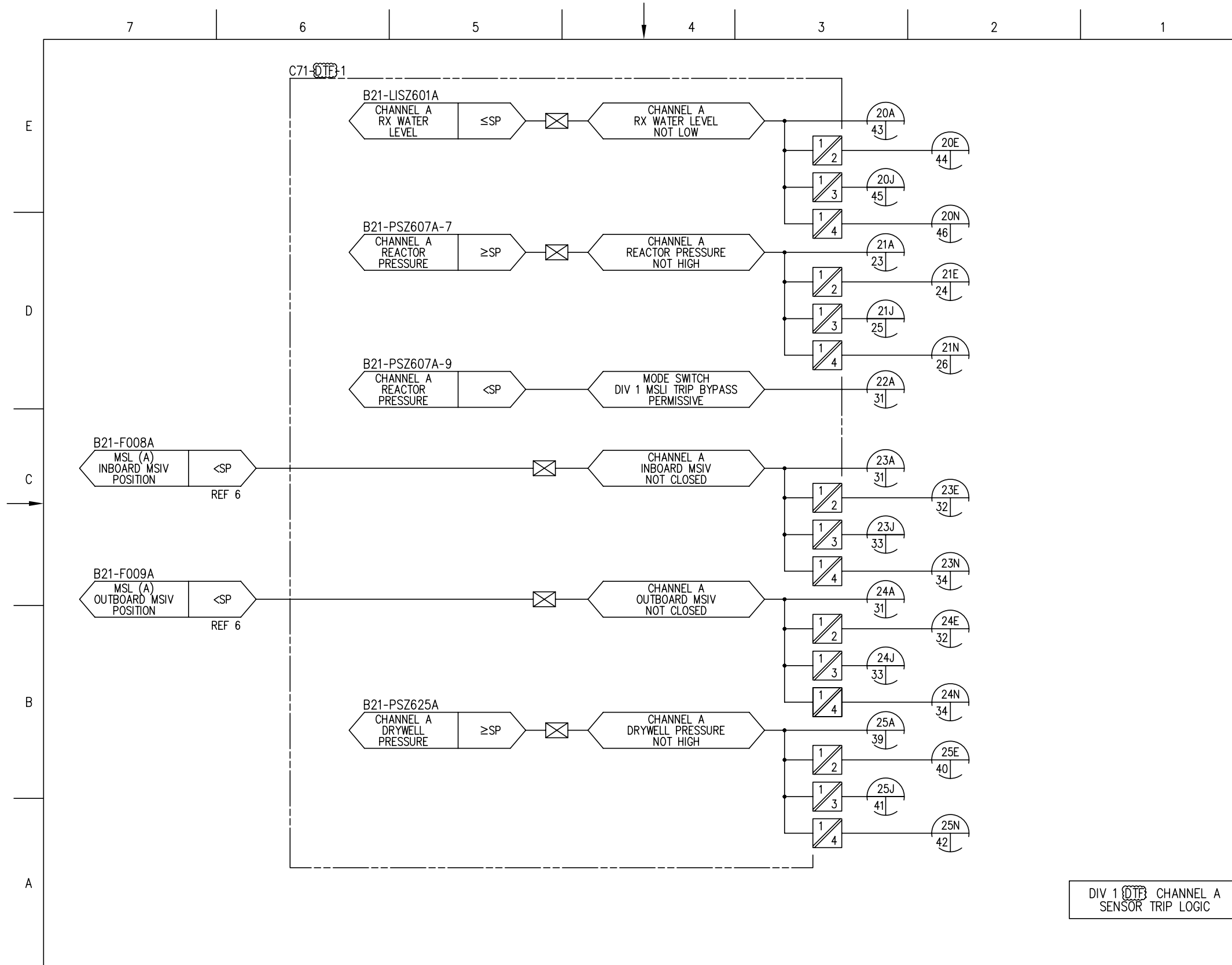


Figure 7.2-10 – Reactor Protection System IBD (Sheet 15 of 72)

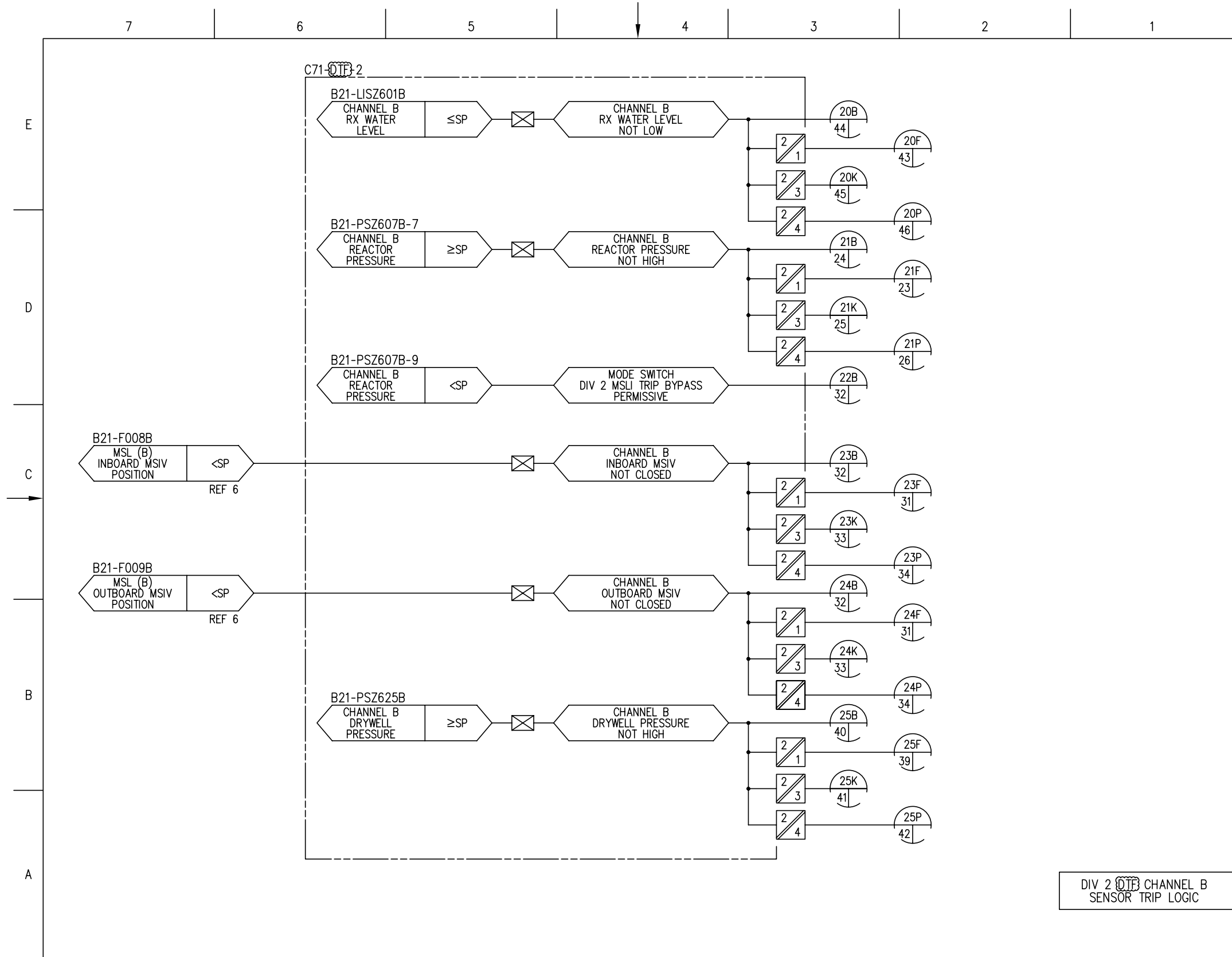


Figure 7.2-10 – Reactor Protection System IBD (Sheet 16 of 72)

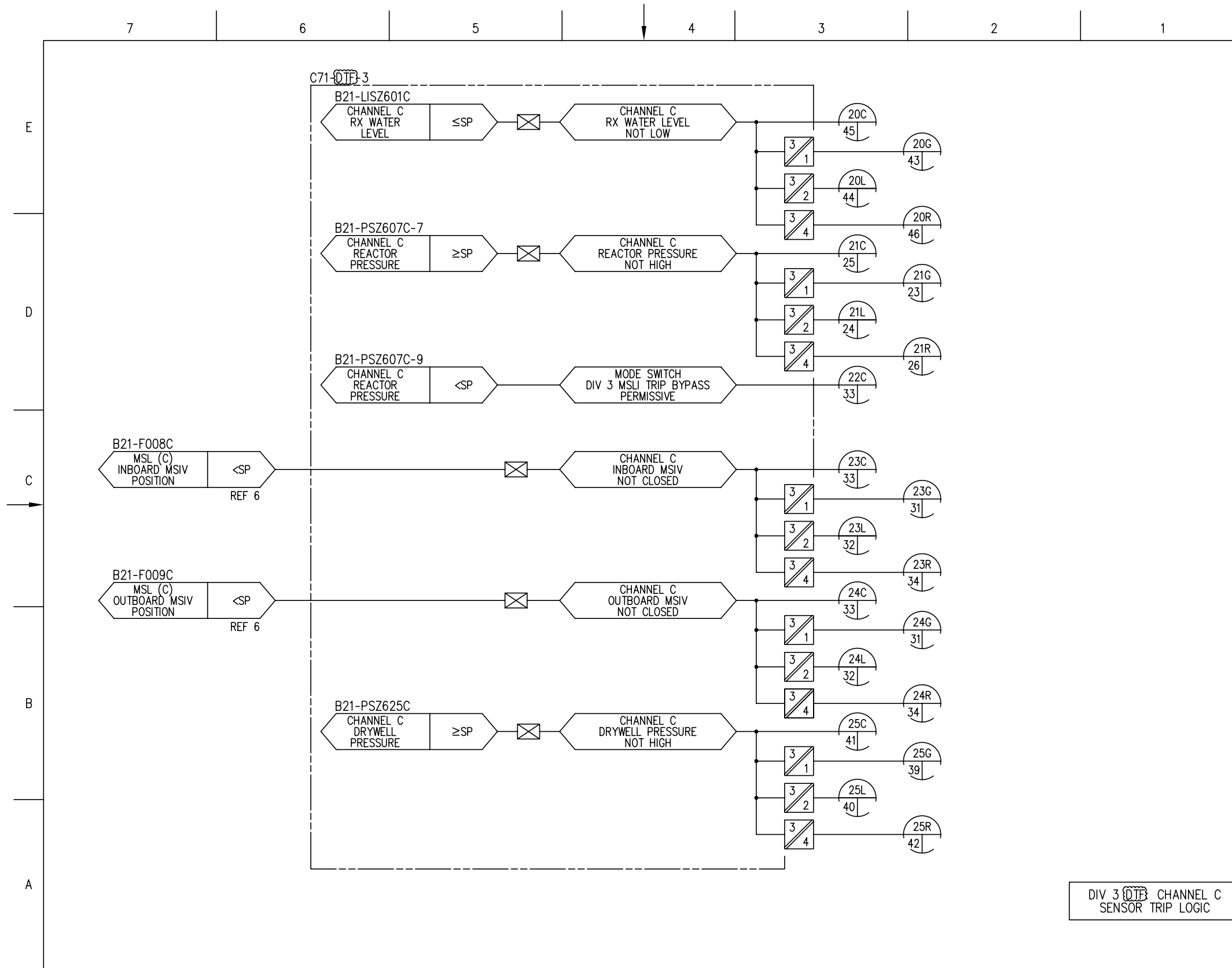


Figure 7.2-10 – Reactor Protection System IBD (Sheet 17 of 72)

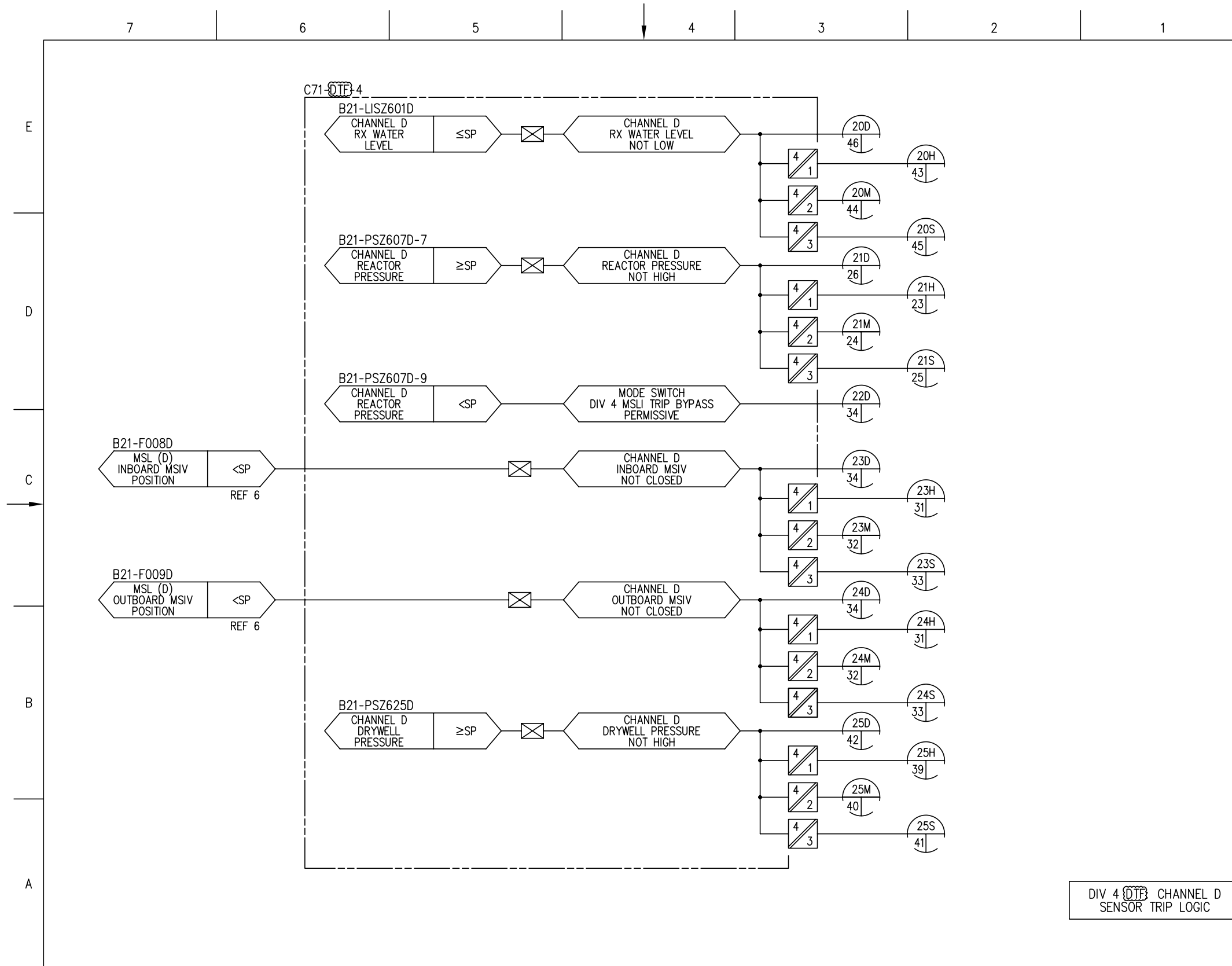
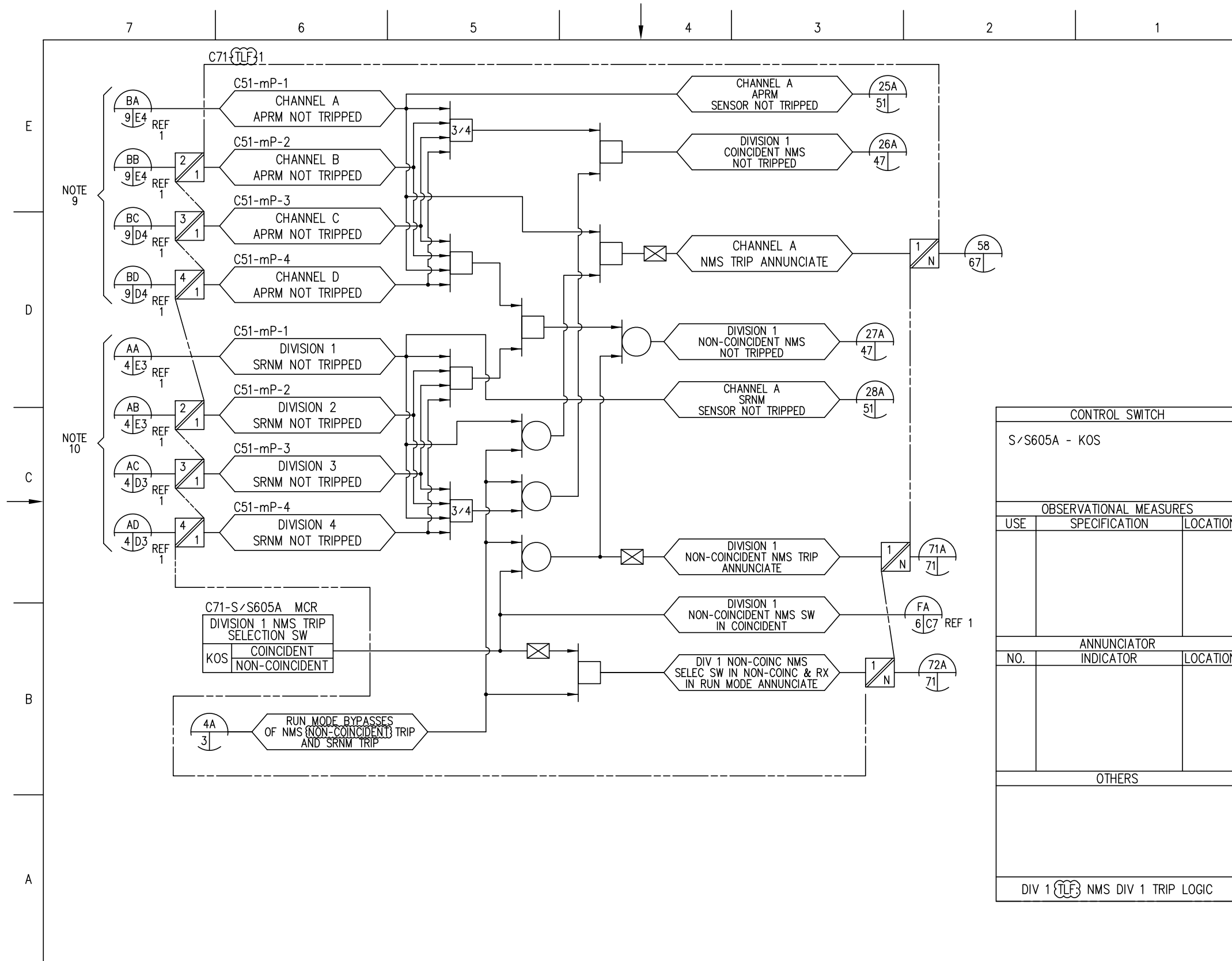


Figure 7.2-10 – Reactor Protection System IBD (Sheet 18 of 72)



CONTROL SWITCH		
S/S605A - KOS		
OBSERVATIONAL MEASURES		
USE	SPECIFICATION	LOCATION
ANNUNCIATOR		
NO.	INDICATOR	LOCATION
OTHERS		
DIV 1 TLF NMS DIV 1 TRIP LOGIC		

Figure 7.2-10 – Reactor Protection System IBD (Sheet 19 of 72)

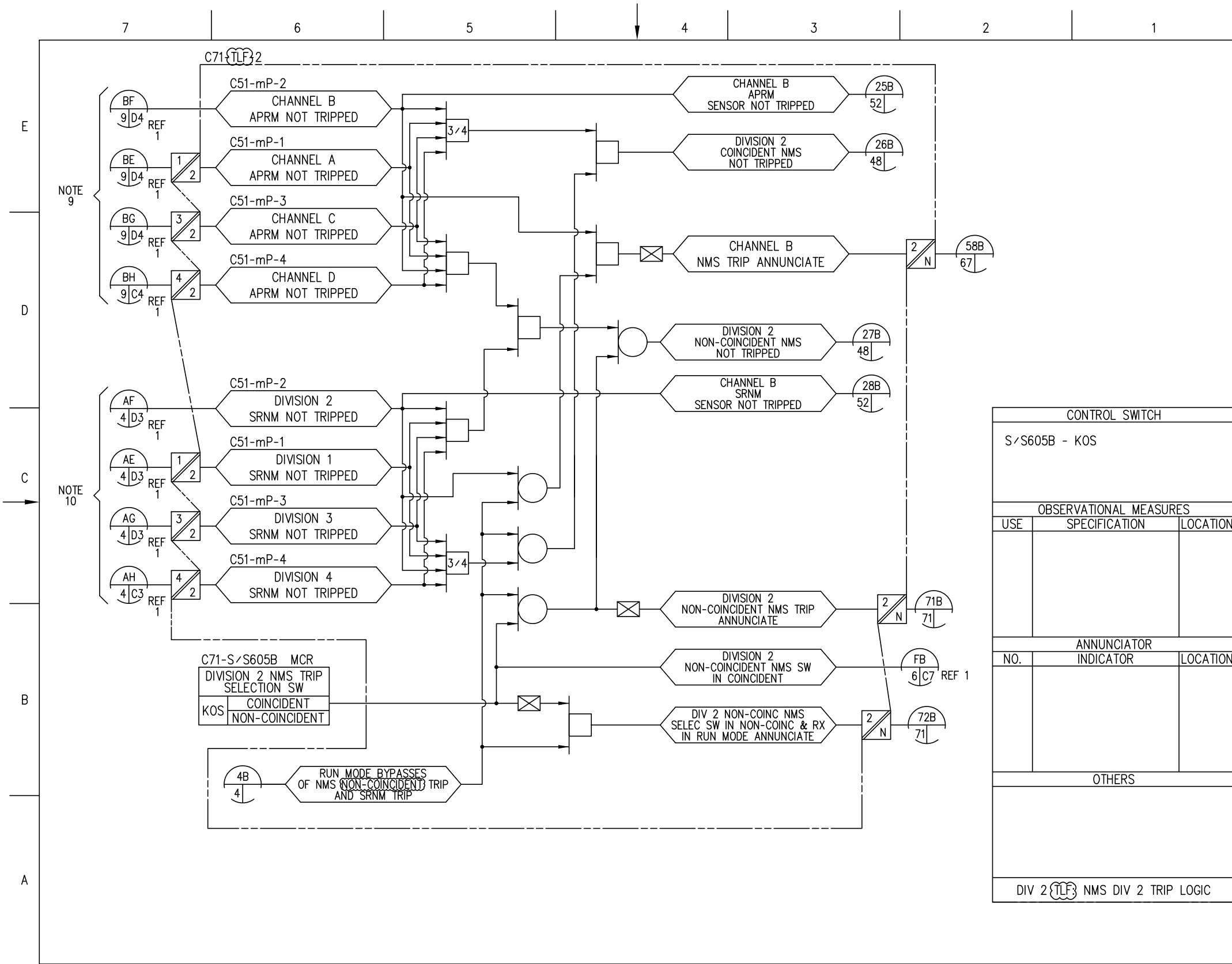


Figure 7.2-10 – Reactor Protection System IBD (Sheet 20 of 72)

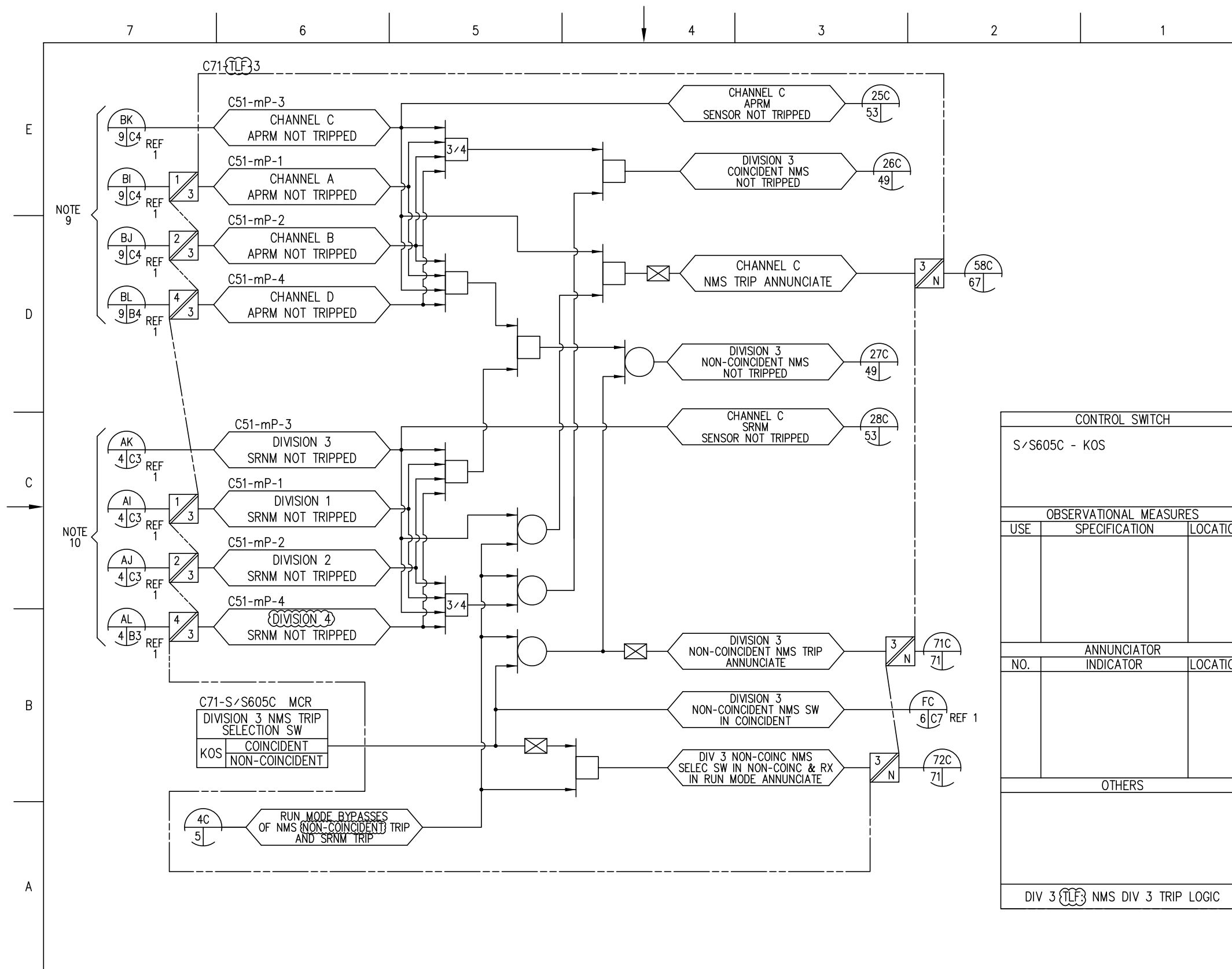


Figure 7.2-10 – Reactor Protection System IBD (Sheet 21 of 72)

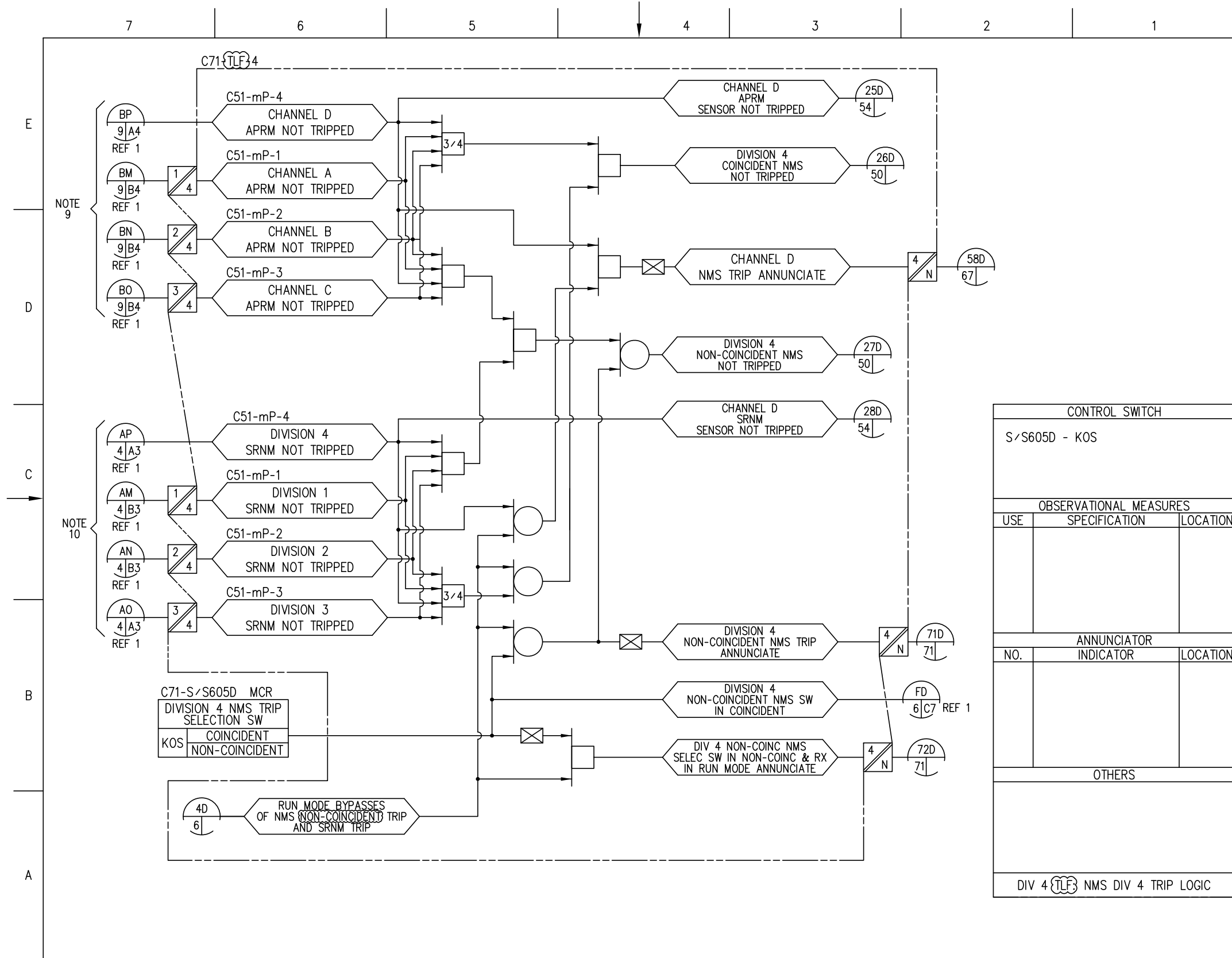


Figure 7.2-10 – Reactor Protection System IBD (Sheet 22 of 72)

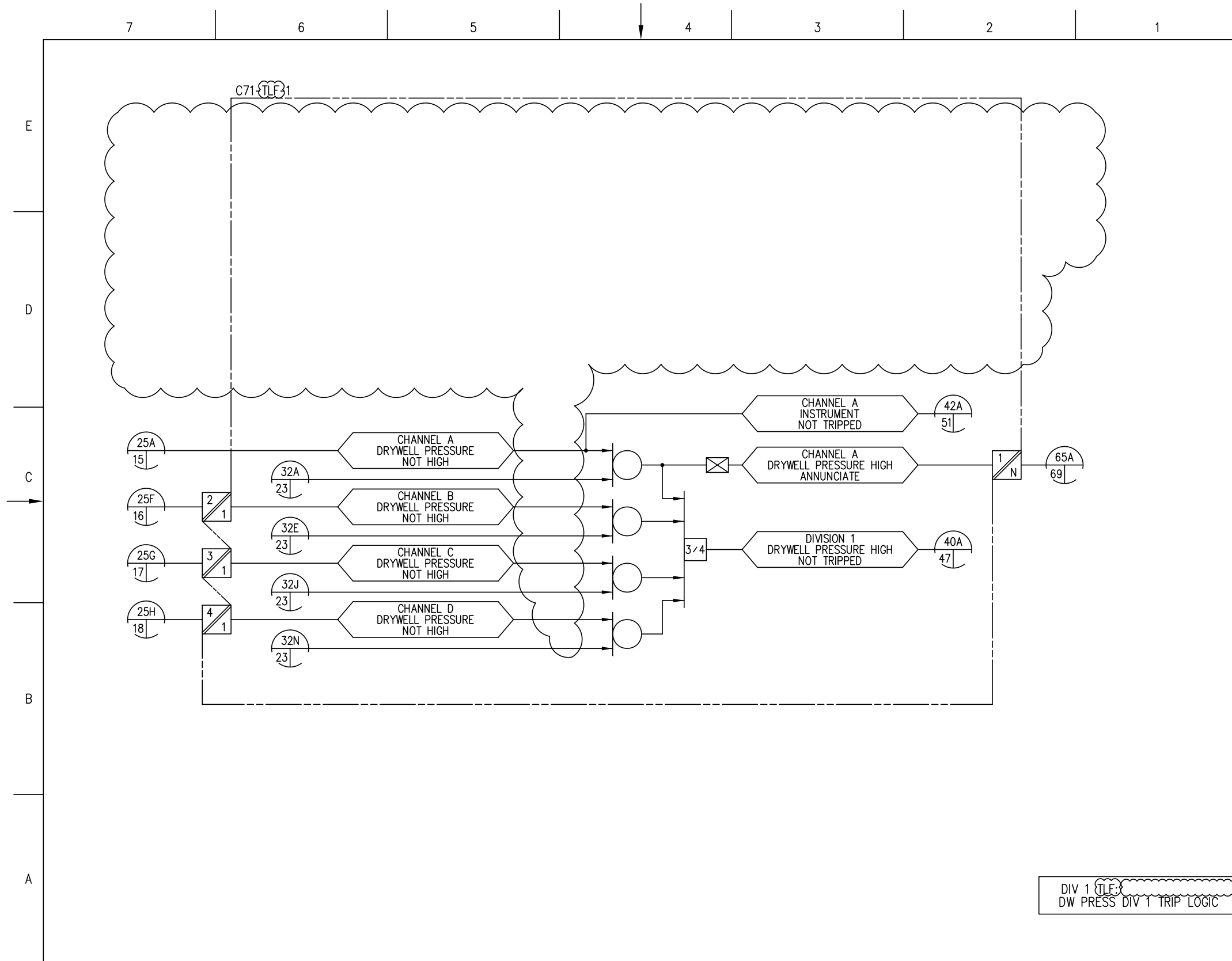


Figure 7.2-10 – Reactor Protection System IBD (Sheet 39 of 72)

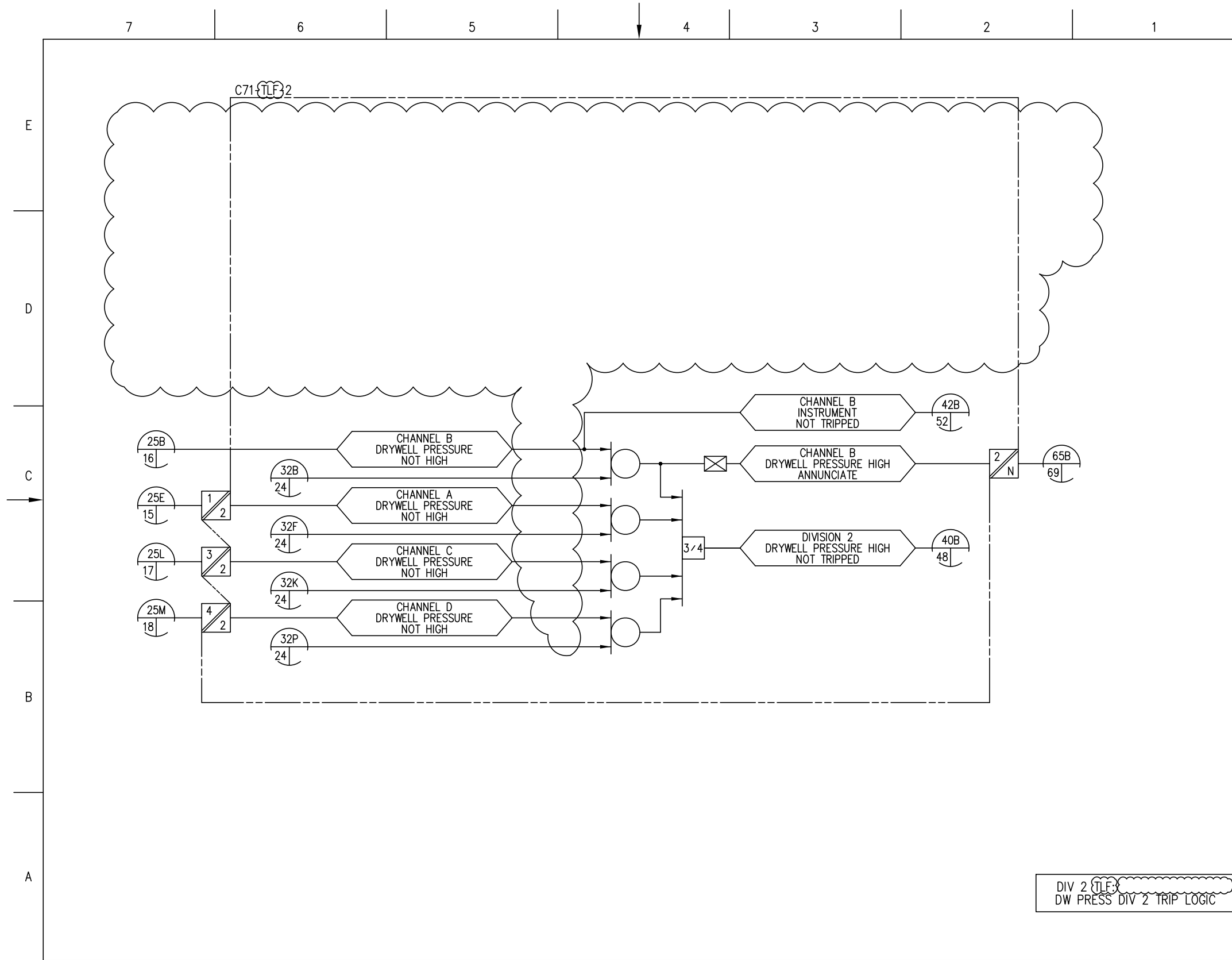


Figure 7.2-10 – Reactor Protection System IBD (Sheet 40 of 72)

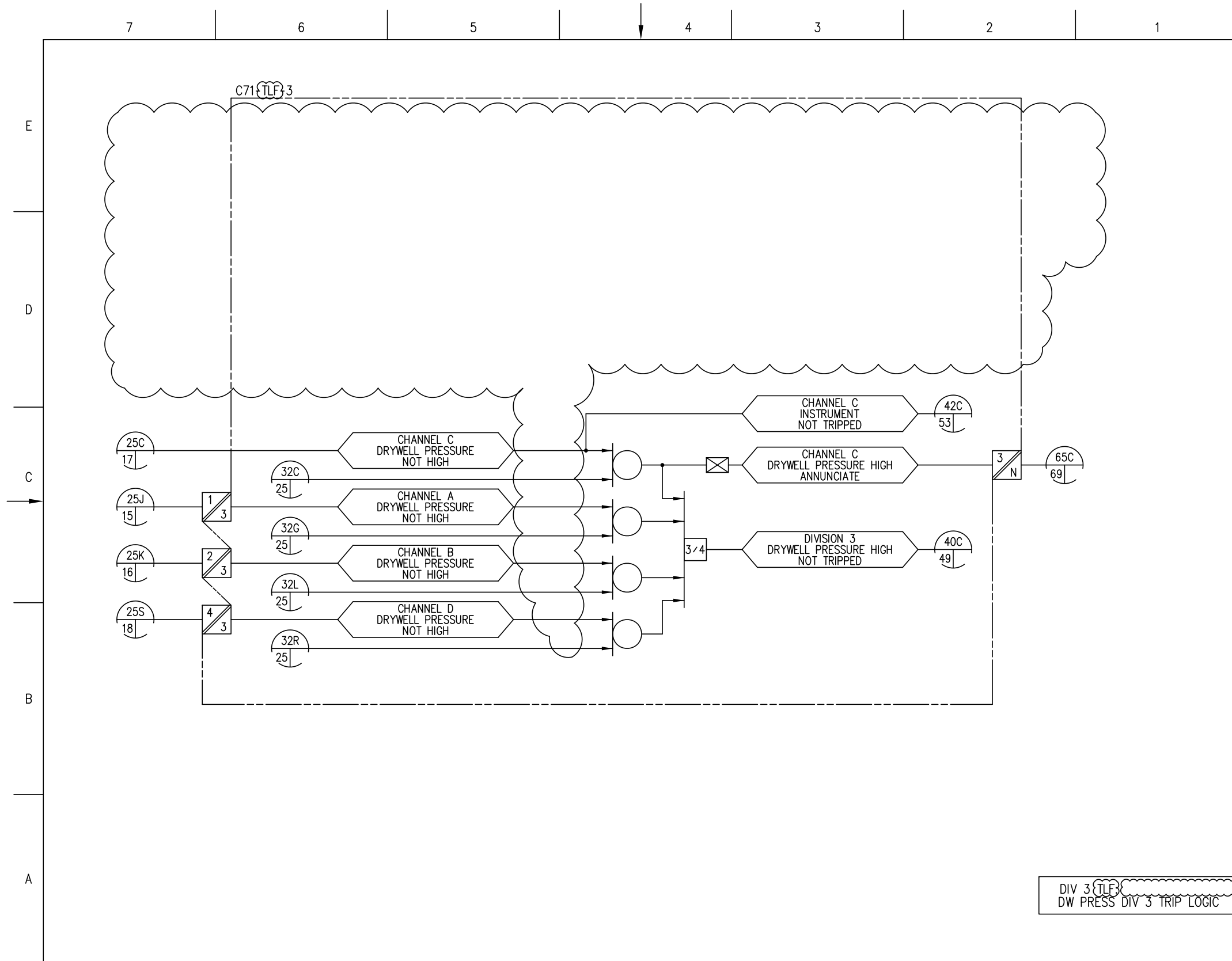


Figure 7.2-10 – Reactor Protection System IBD (Sheet 41 of 72)

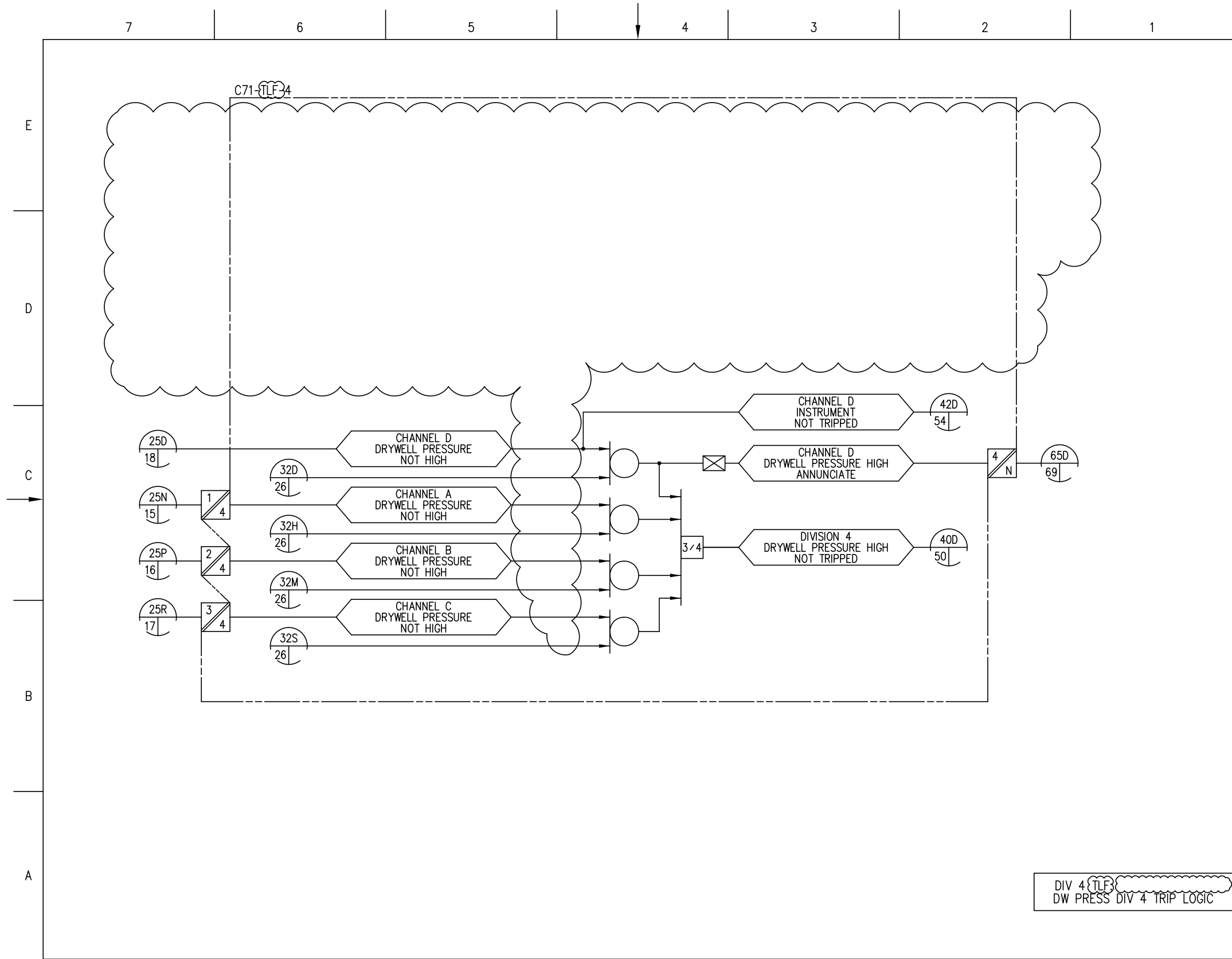
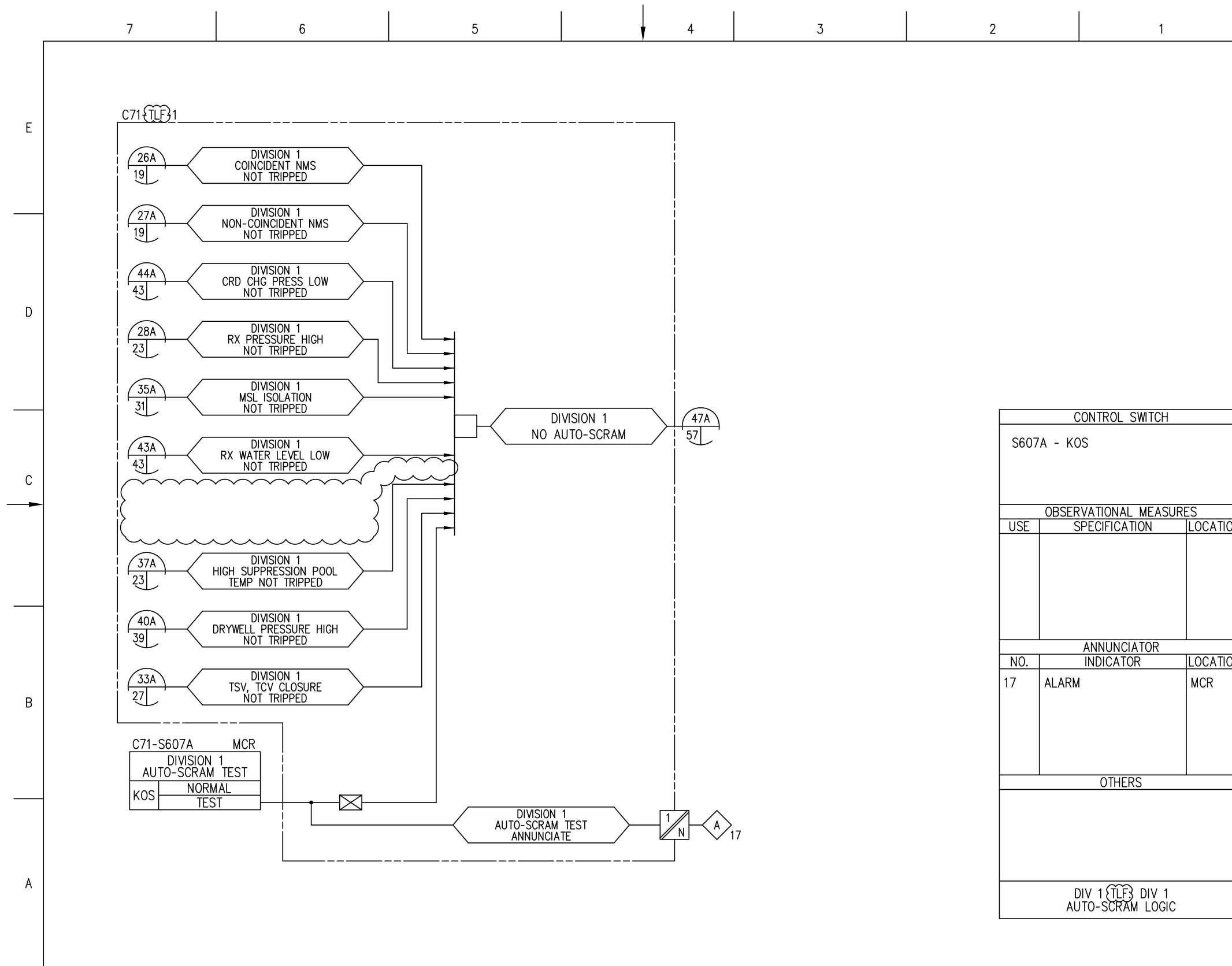


Figure 7.2-10 – Reactor Protection System IBD (Sheet 42 of 72)



CONTROL SWITCH		
S607A - KOS		
OBSERVATIONAL MEASURES		
USE	SPECIFICATION	LOCATION
ANNUNCIATOR		
NO.	INDICATOR	LOCATION
17	ALARM	MCR
OTHERS		
DIV 1 (TLF) DIV 1 AUTO-SCRAM LOGIC		

Figure 7.2-10 – Reactor Protection System IBD (Sheet 47 of 72)

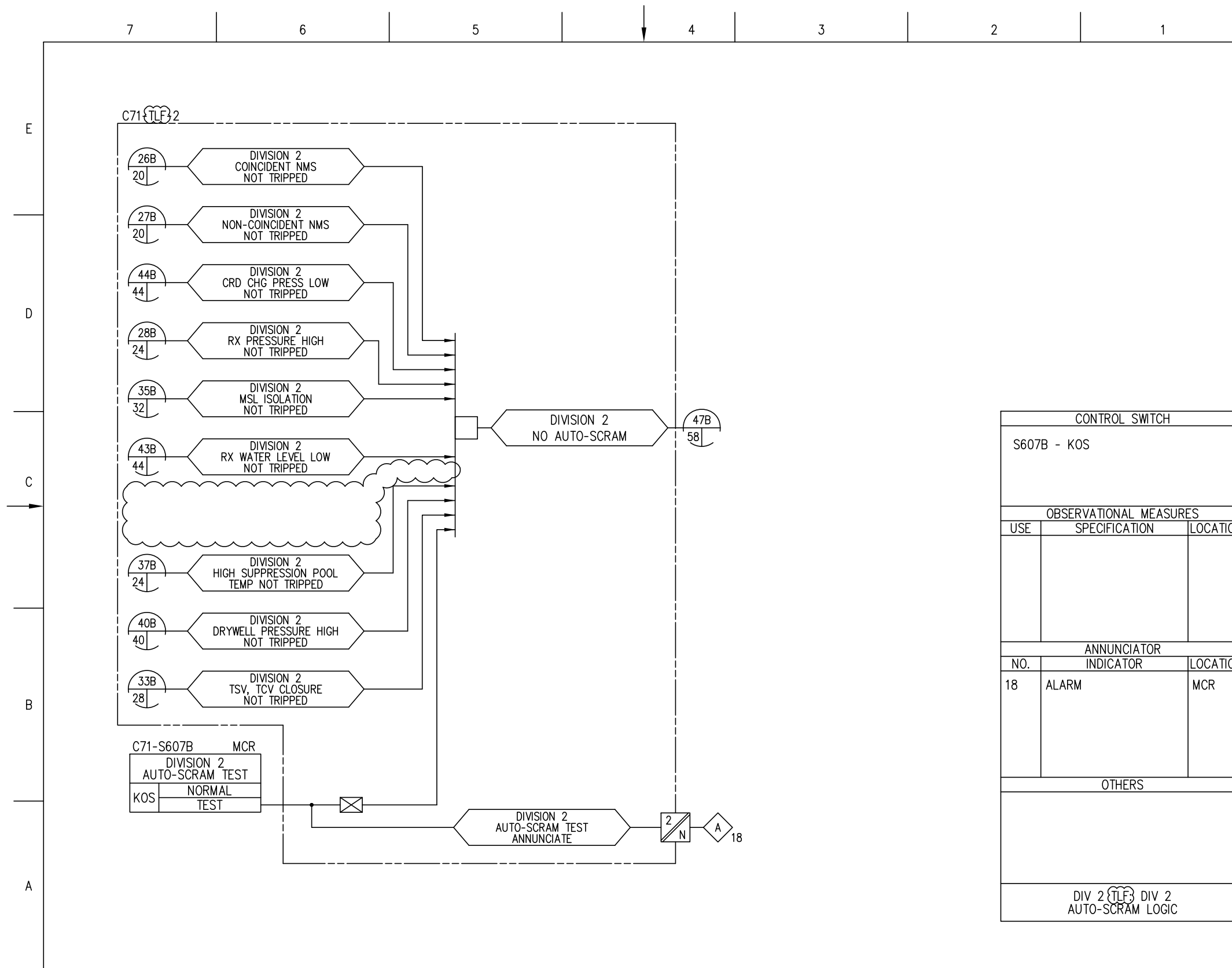
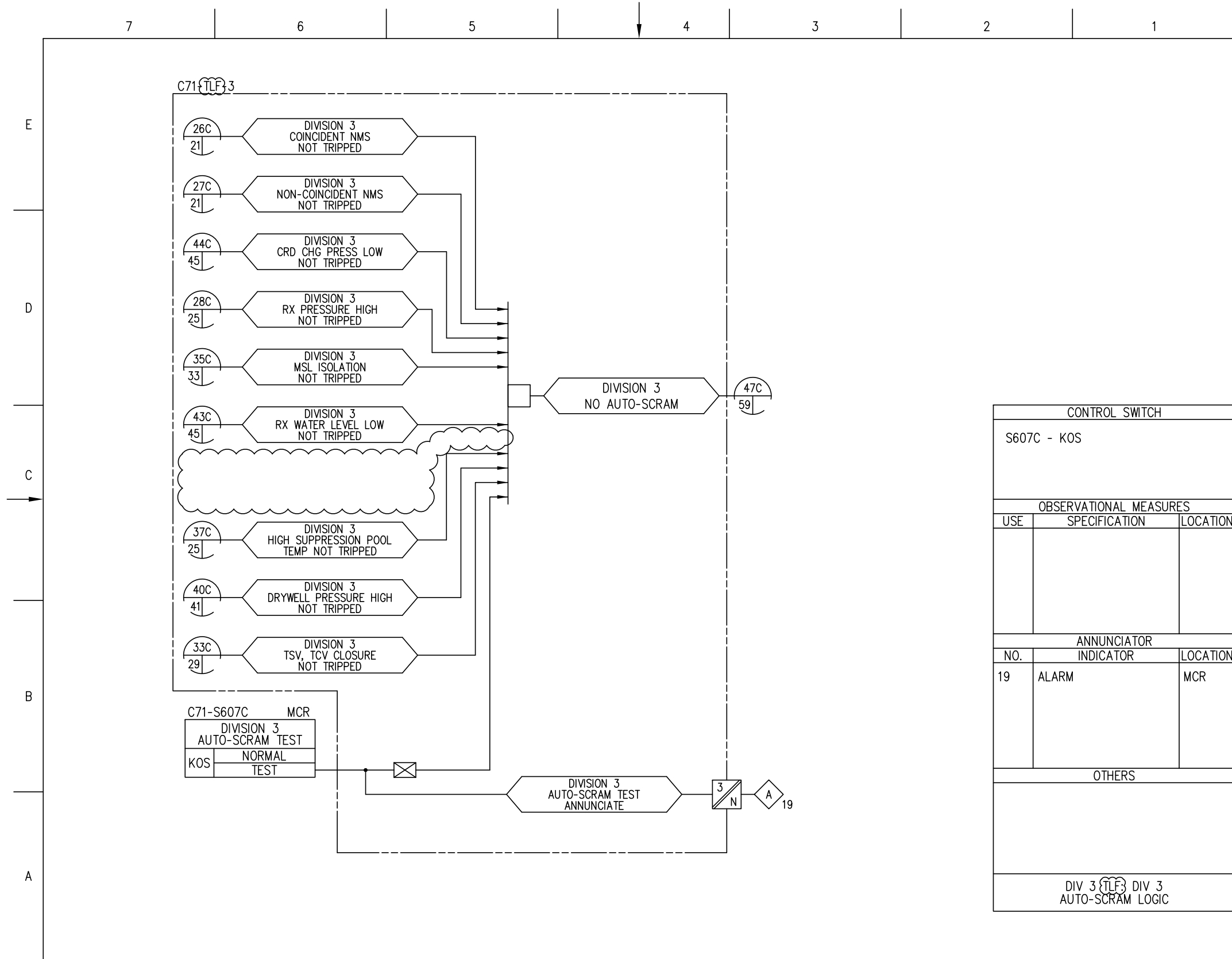


Figure 7.2-10 – Reactor Protection System IBD (Sheet 48 of 72)



CONTROL SWITCH		
S607C - KOS		
OBSERVATIONAL MEASURES		
USE	SPECIFICATION	LOCATION
ANNUNCIATOR		
NO.	INDICATOR	LOCATION
19	ALARM	MCR
OTHERS		
DIV 3 (TLF) DIV 3 AUTO-SCRAM LOGIC		

Figure 7.2-10 – Reactor Protection System IBD (Sheet 49 of 72)

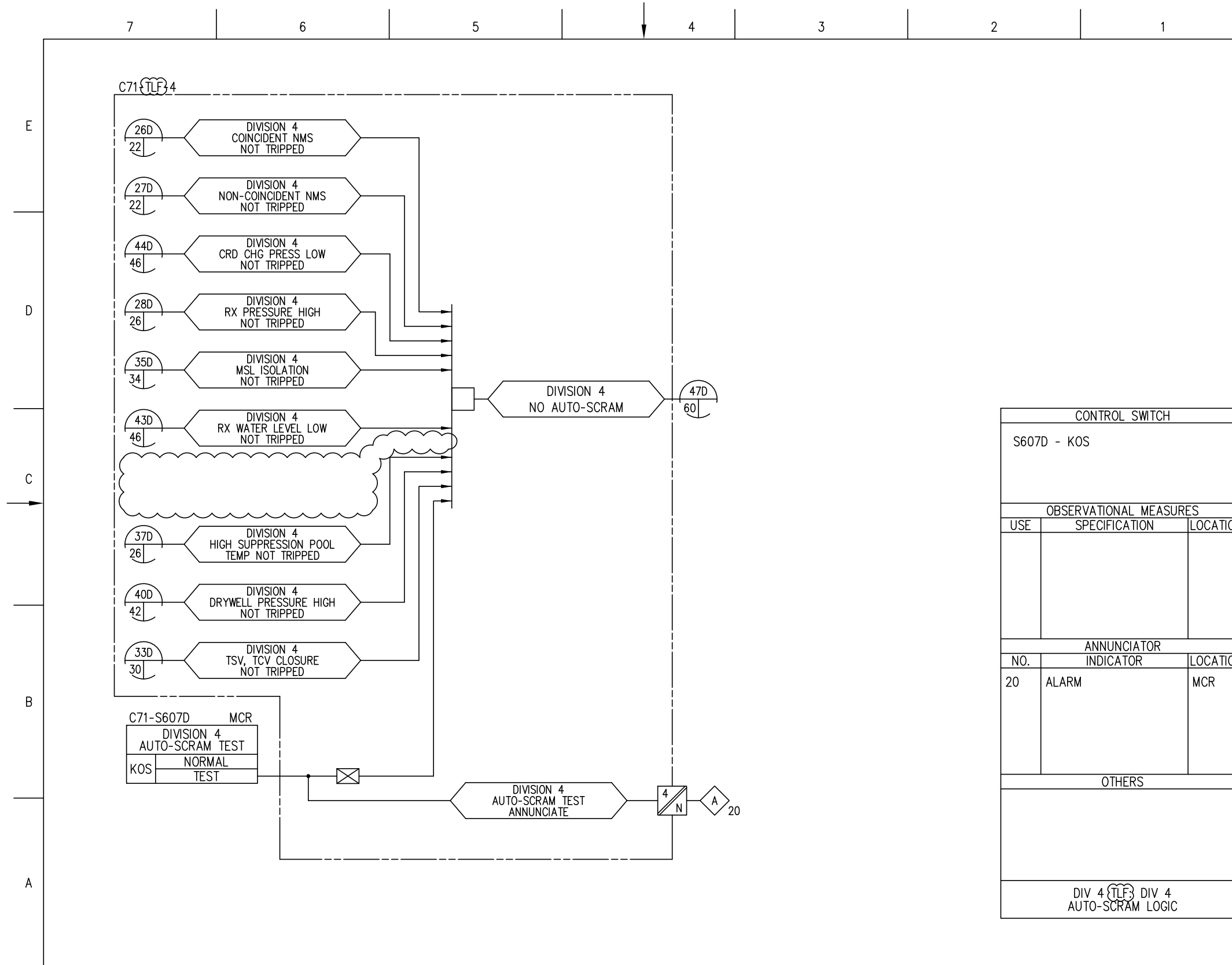


Figure 7.2-10 – Reactor Protection System IBD (Sheet 50 of 72)

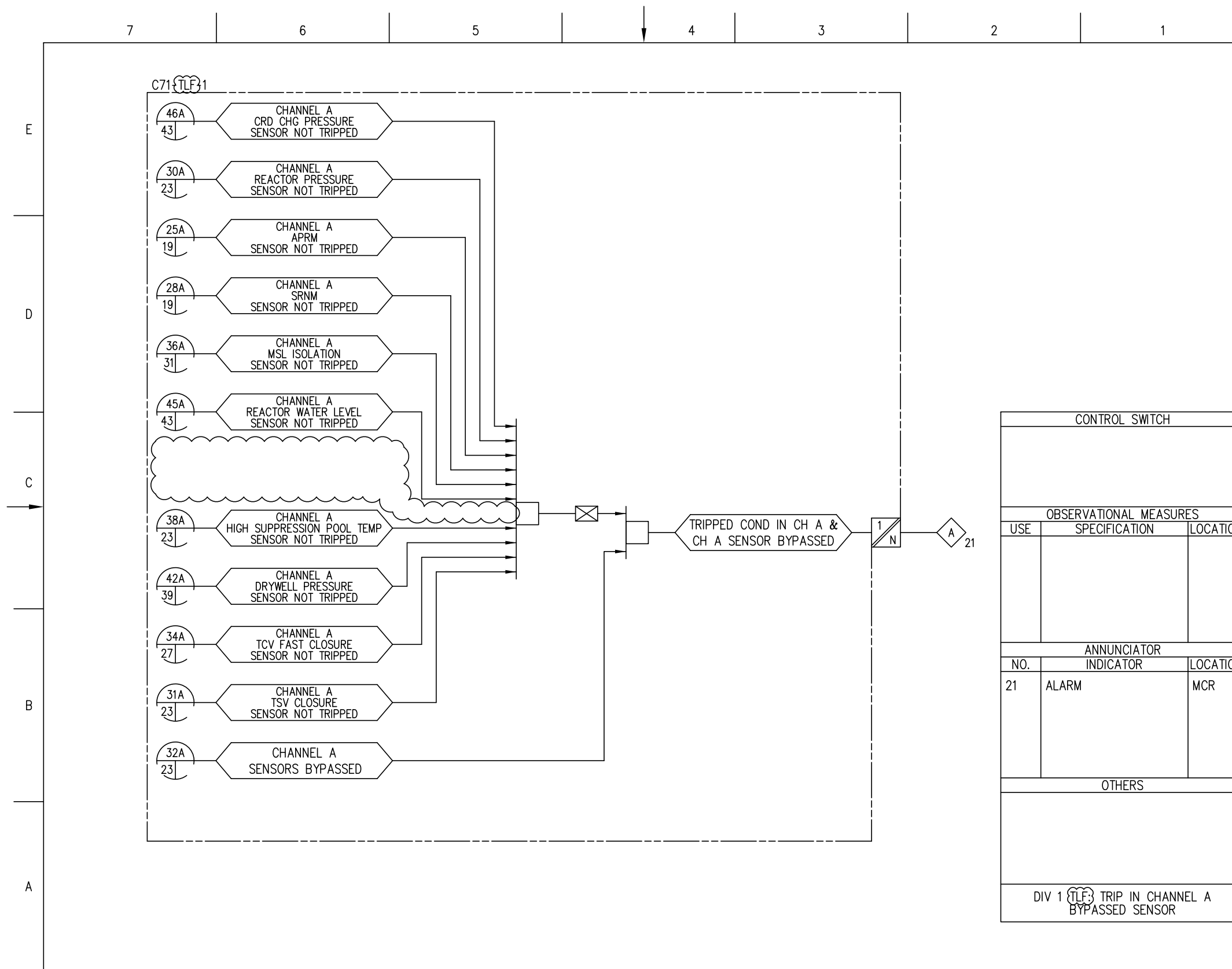


Figure 7.2-10 – Reactor Protection System IBD (Sheet 51 of 72)

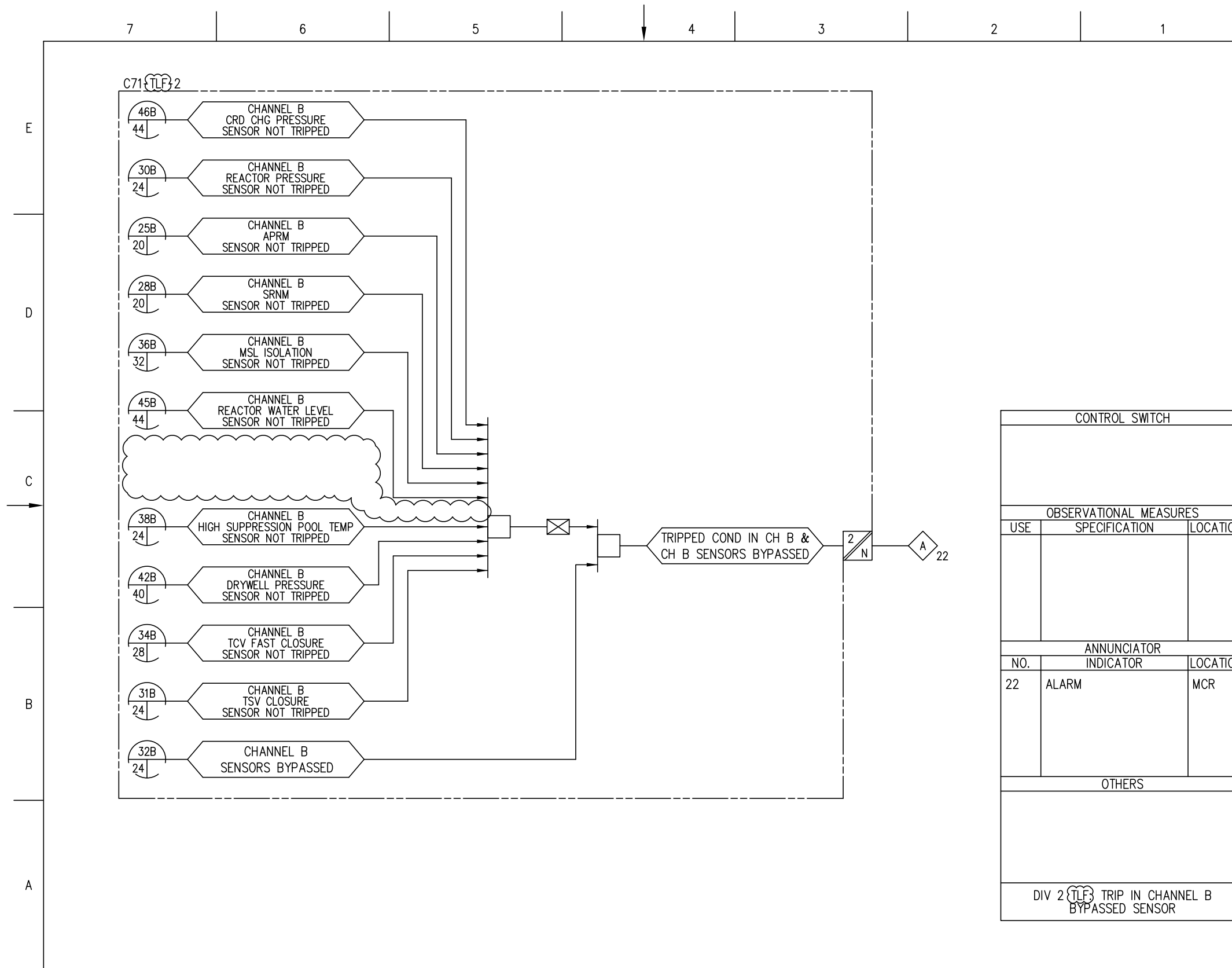


Figure 7.2-10 – Reactor Protection System IBD (Sheet 52 of 72)

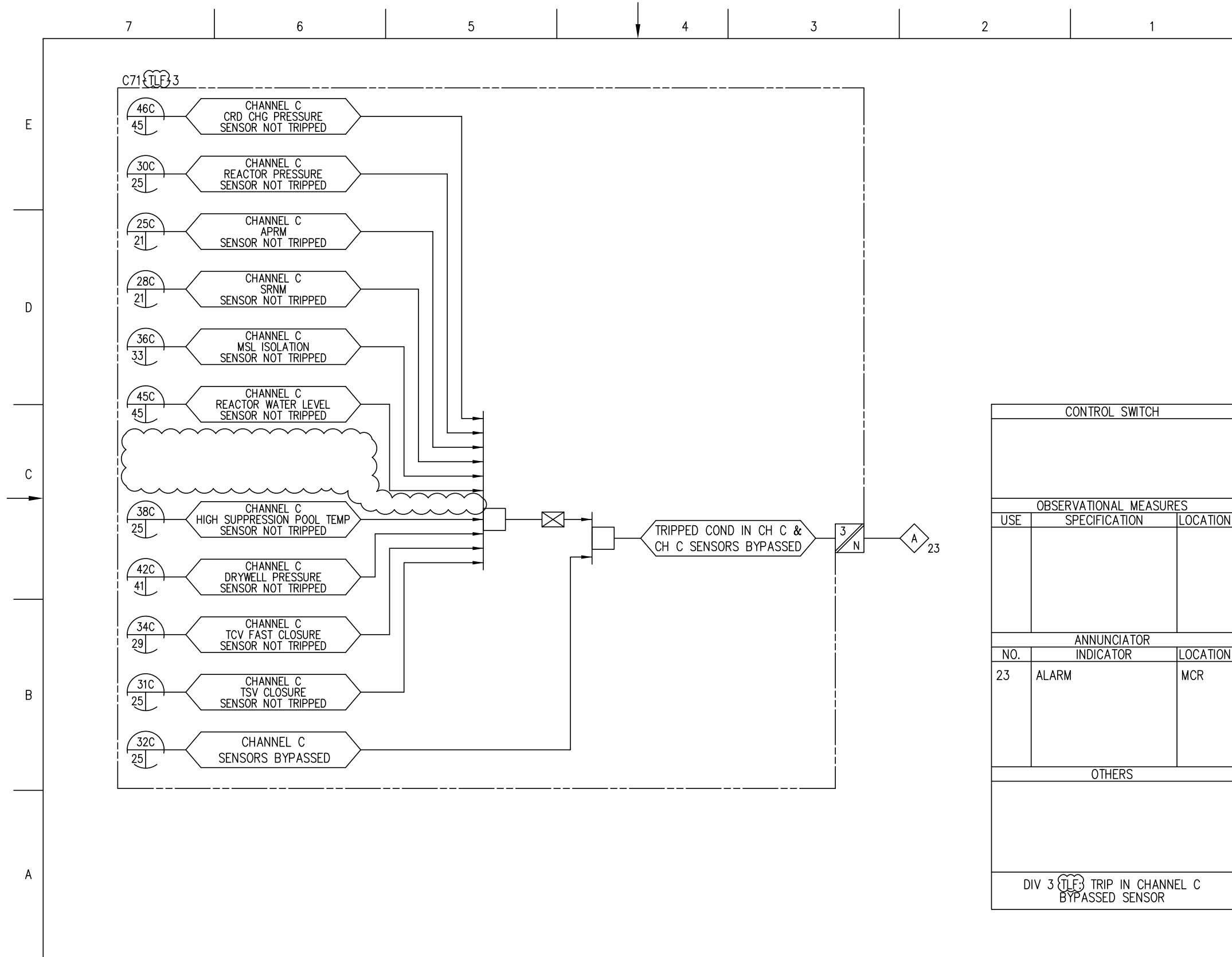


Figure 7.2-10 – Reactor Protection System IBD (Sheet 53 of 72)

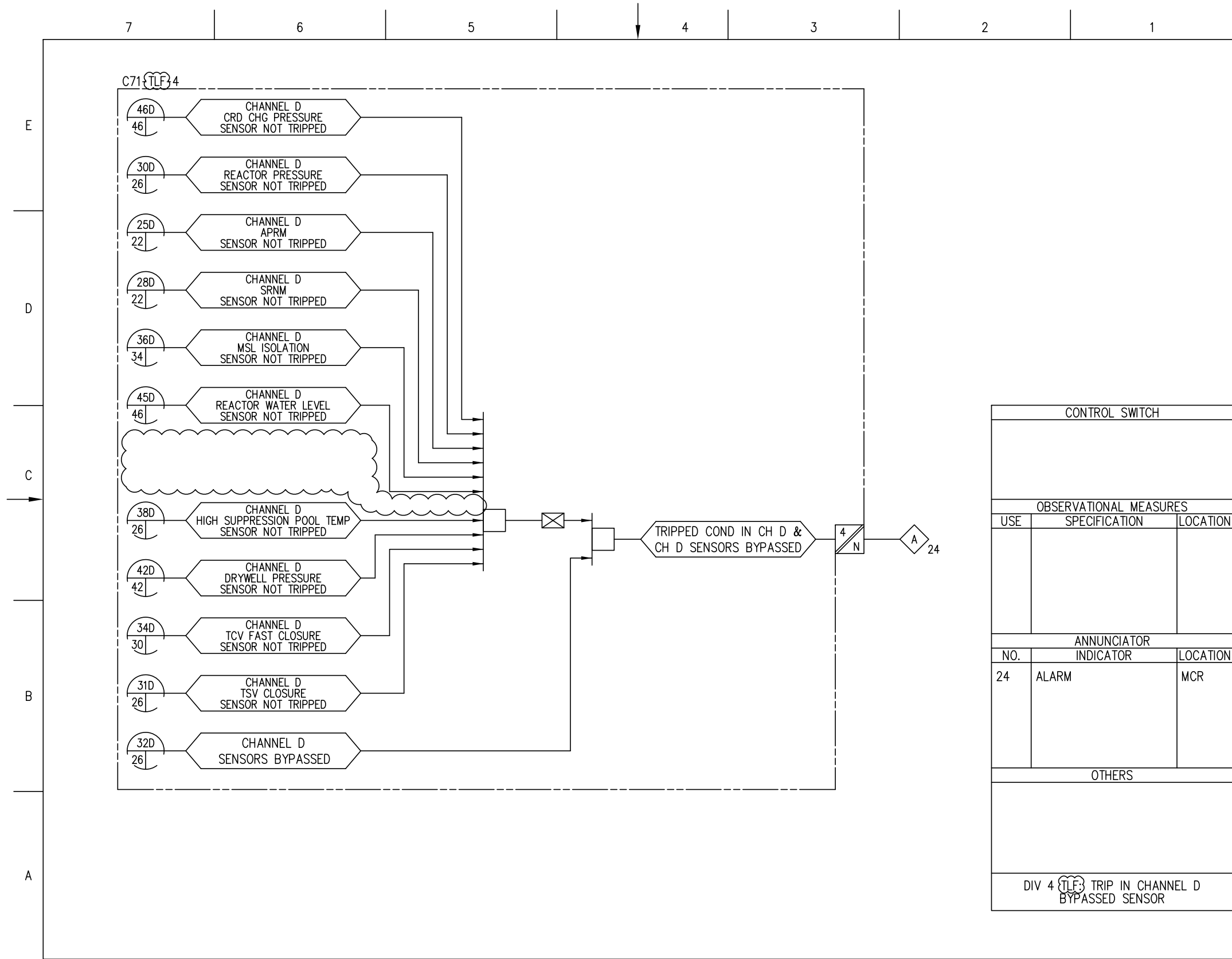


Figure 7.2-10 – Reactor Protection System IBD (Sheet 54 of 72)

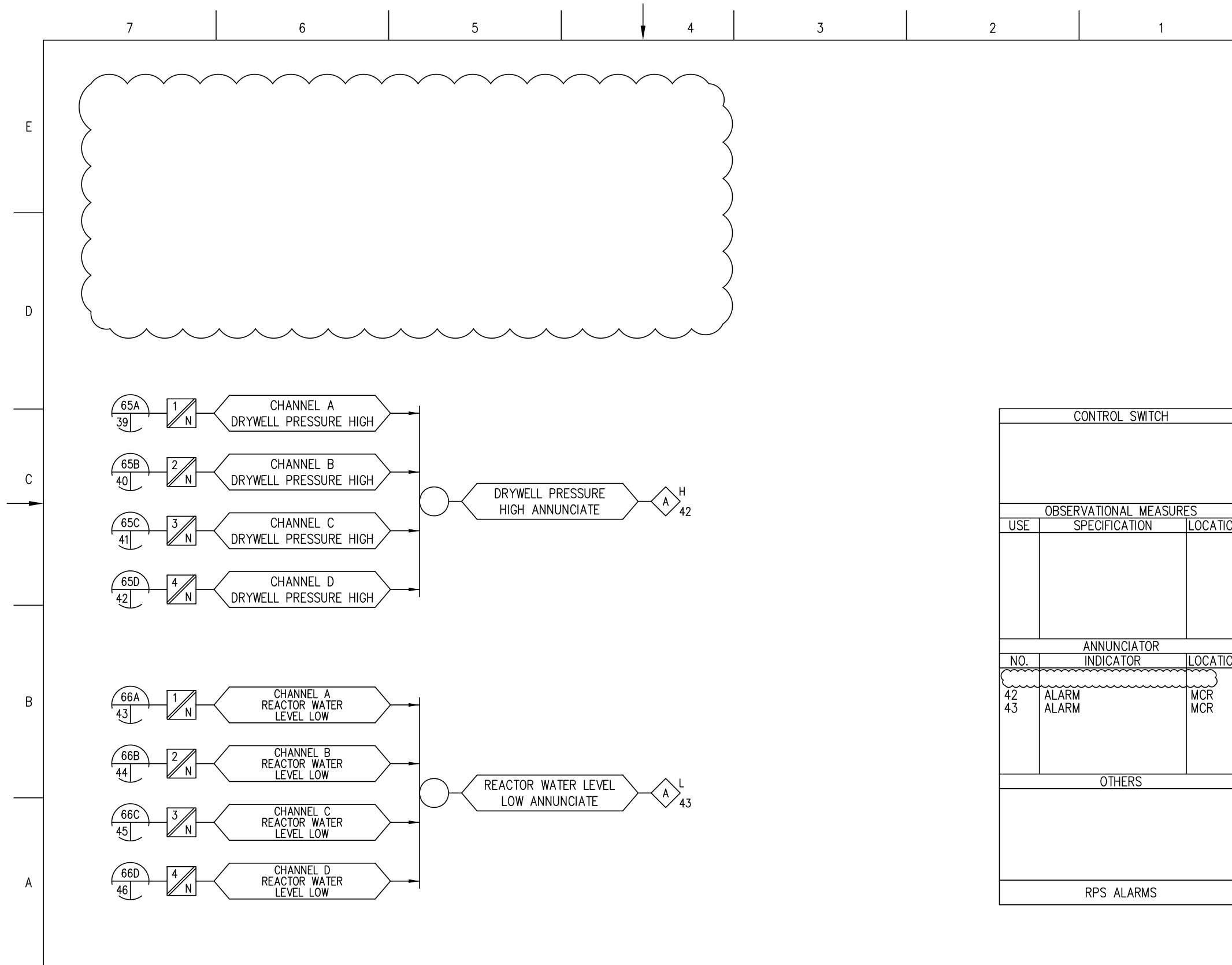


Figure 7.2-10 – Reactor Protection System IBD (Sheet 69 of 72)

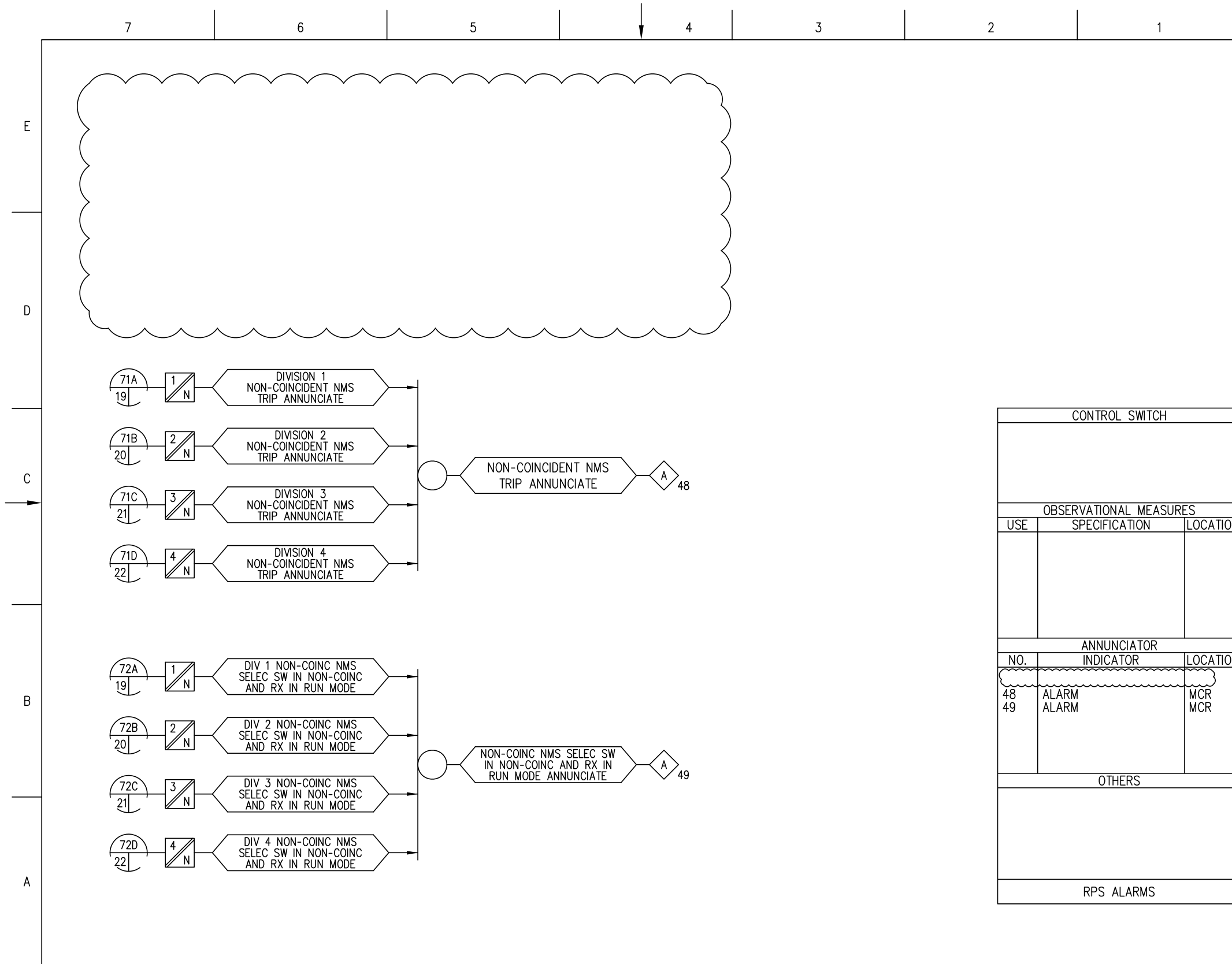


Figure 7.2-10 – Reactor Protection System IBD (Sheet 71 of 72)