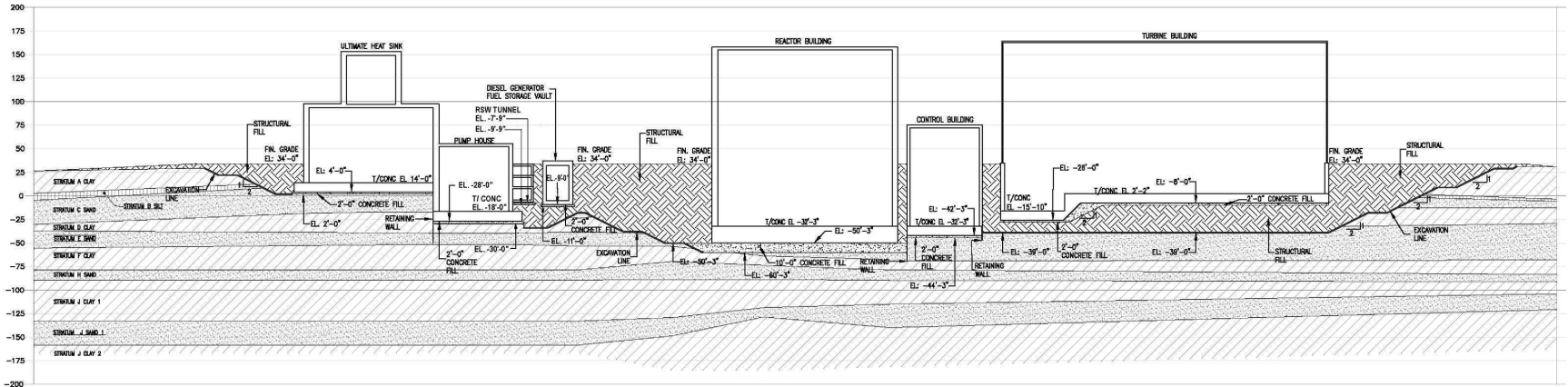


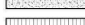
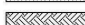



Figure 2.5S.4-48C Enlarged Southern Plan Rev. D



FEET  
MSL  
1929 DATUM

-  CONCRETE FILL
-  CLAY
-  SAND
-  SILT
-  STRUCTURAL FILL

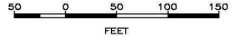
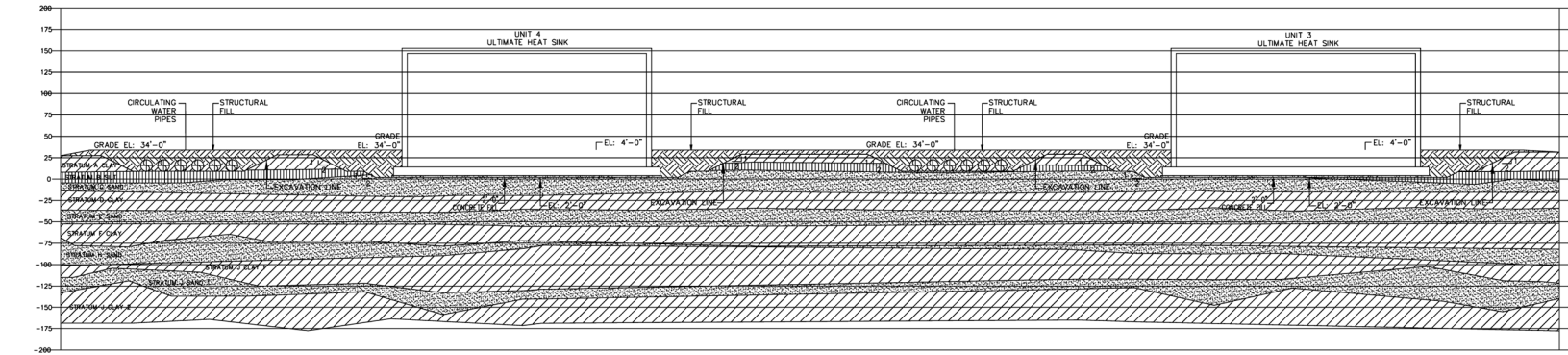


Figure 2.5S.4-49A  
SECTION 'A' - UNIT 3

Figure 2.5S.4-49A Section "A" - Unit 3 Rev. D





FEET  
MSL  
1929 DATUM






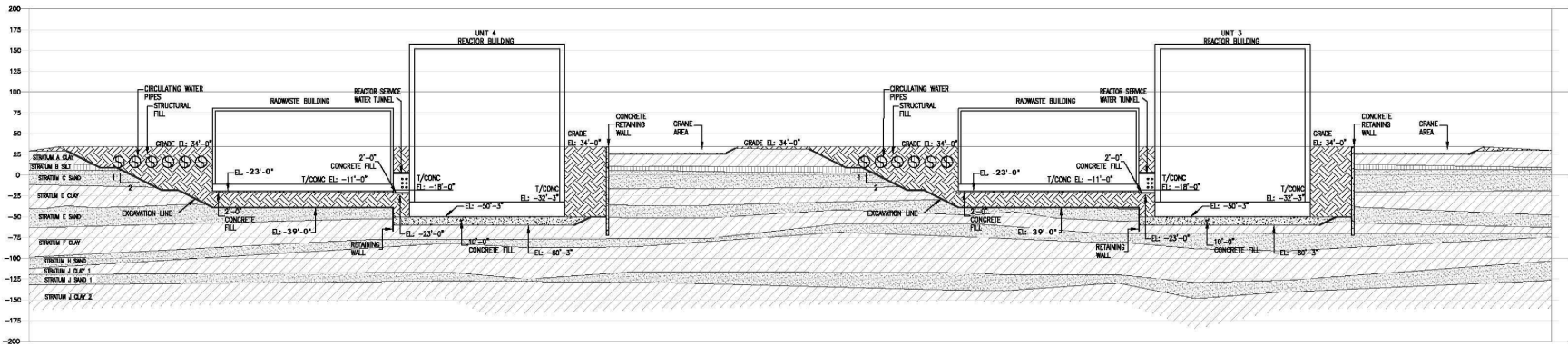
-  CONCRETE FILL
-  CLAY
-  SAND
-  SILT
-  STRUCTURAL FILL








Figure 2.5S.4-49C  
SECTION "C"  
REV.  
D

Figure 2.5S.4-49C Section "C" Rev. D





FEET  
MSL  
1929 DATUM

-  CONCRETE FILL
-  CLAY
-  SAND
-  SILT
-  STRUCTURAL FILL

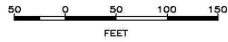


Figure 2.5S.4-49D  
SECTION "D"  
REV. D

Figure 2.5S.4-49D Section "D" Rev. D

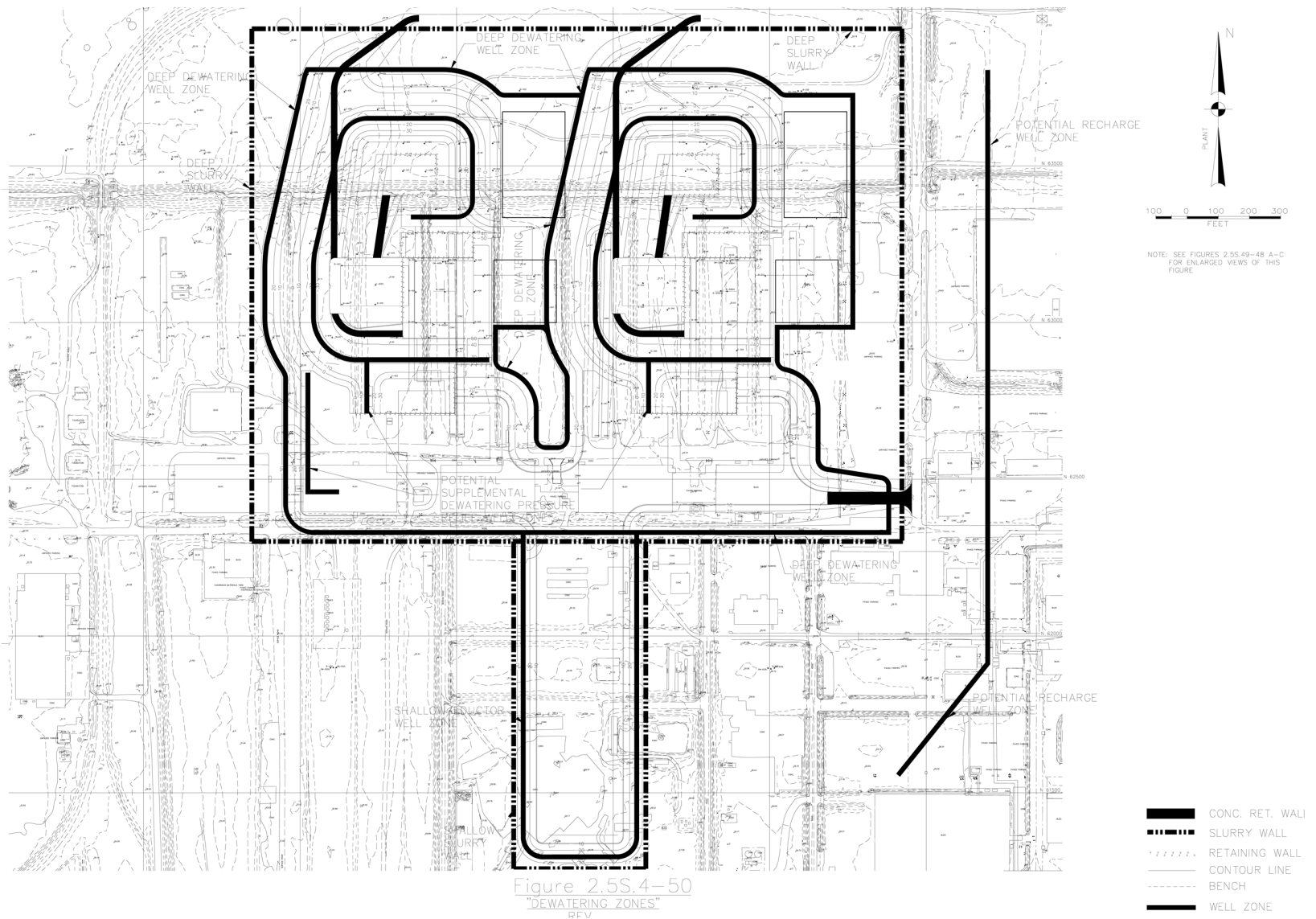
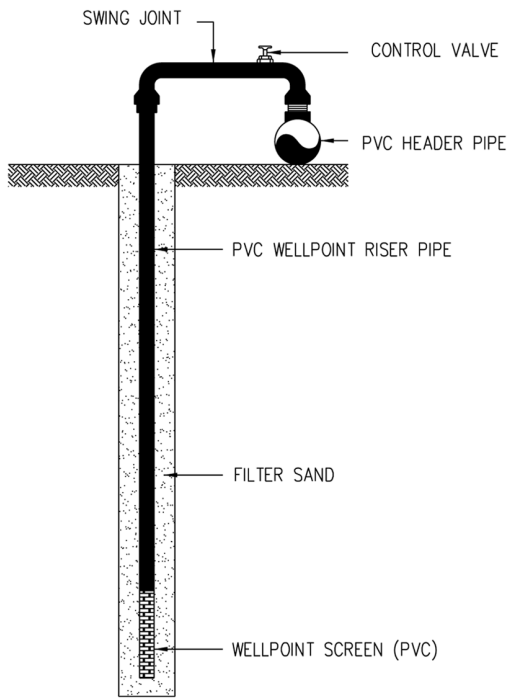
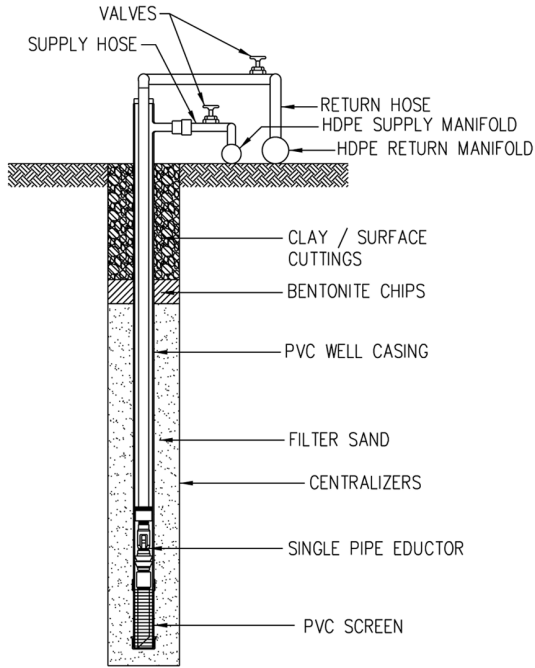


Figure 2.5S.4-50  
"DEWATERING ZONES"  
R.F.V.

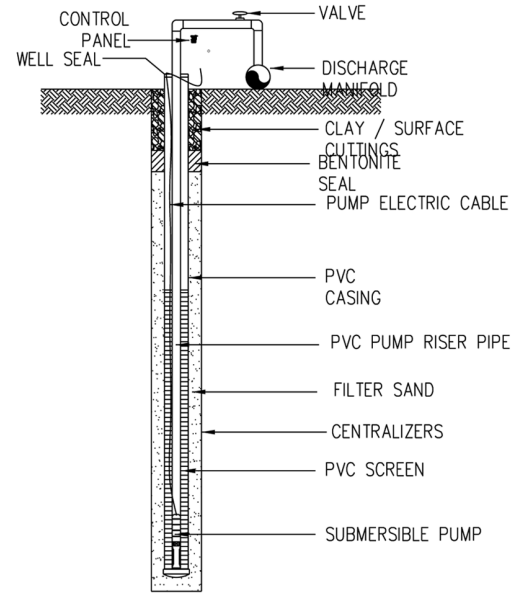
Figure 2.5S.4-50 Dewatering Zones Rev. C



TYPICAL WELLPOINT DETAIL



TYPICAL EDUCTOR DETAIL



TYPICAL DEEPWELL DETAIL

Figure 2.5S.4-51 Dewatering Detail Rev. B

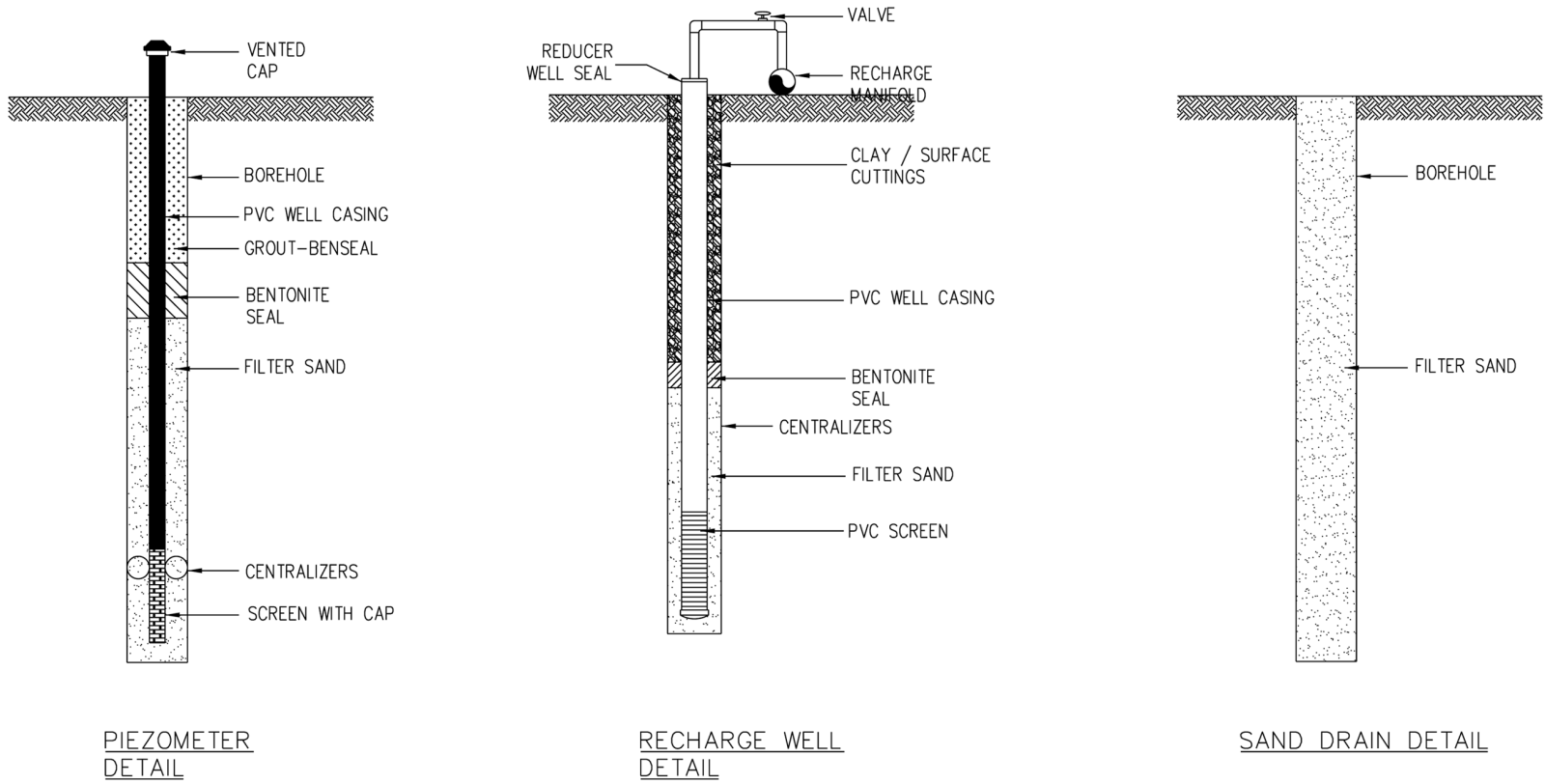


Figure 2.5S.4-52 Dewatering Detail Rev. B

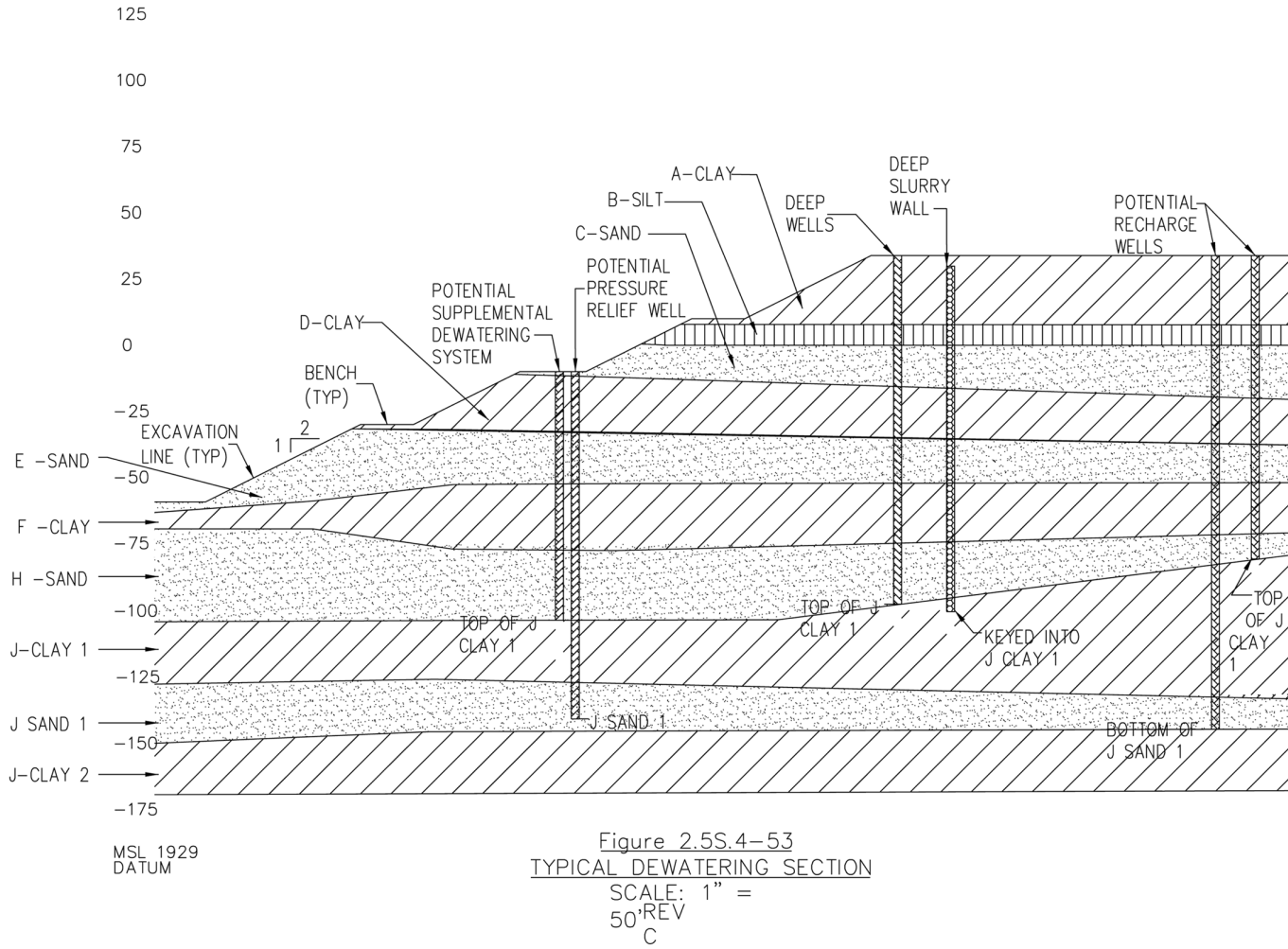


Figure 2.5S.4-53 Typical Dewatering Section

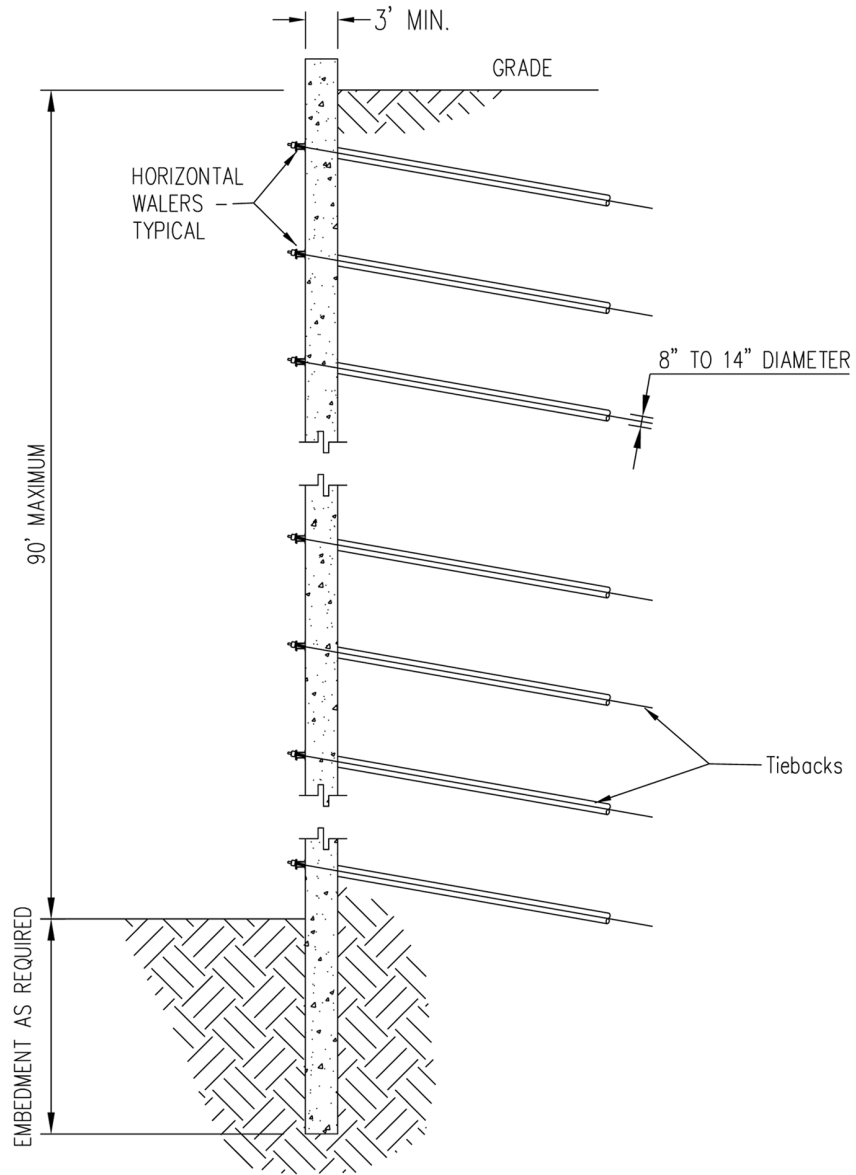


Figure 2.5S.4-54 Reinforced Concrete Retaining Wall Section Rev. C

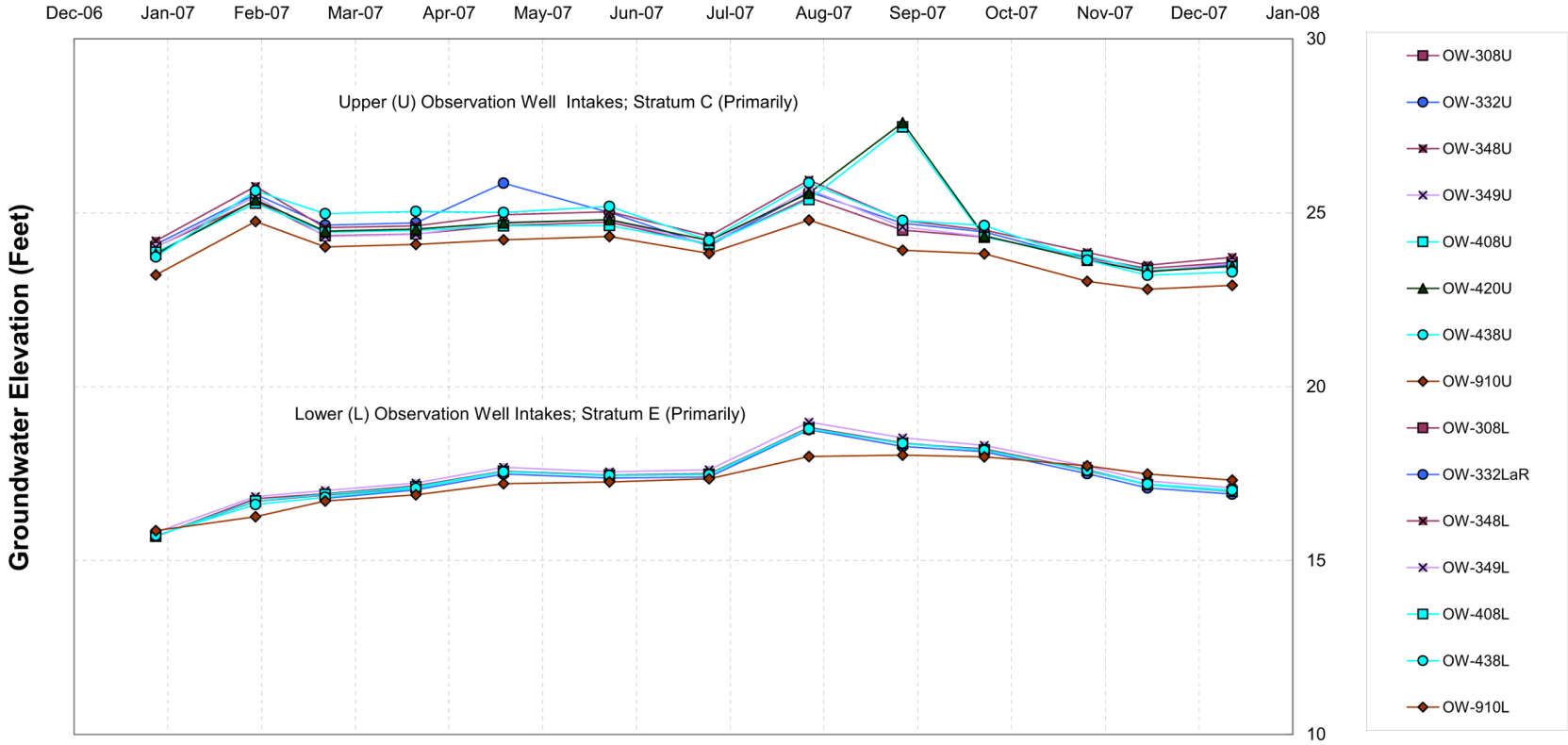


Figure 2.5S.4-55 Measured Groundwater Levels (Inside Power Block)

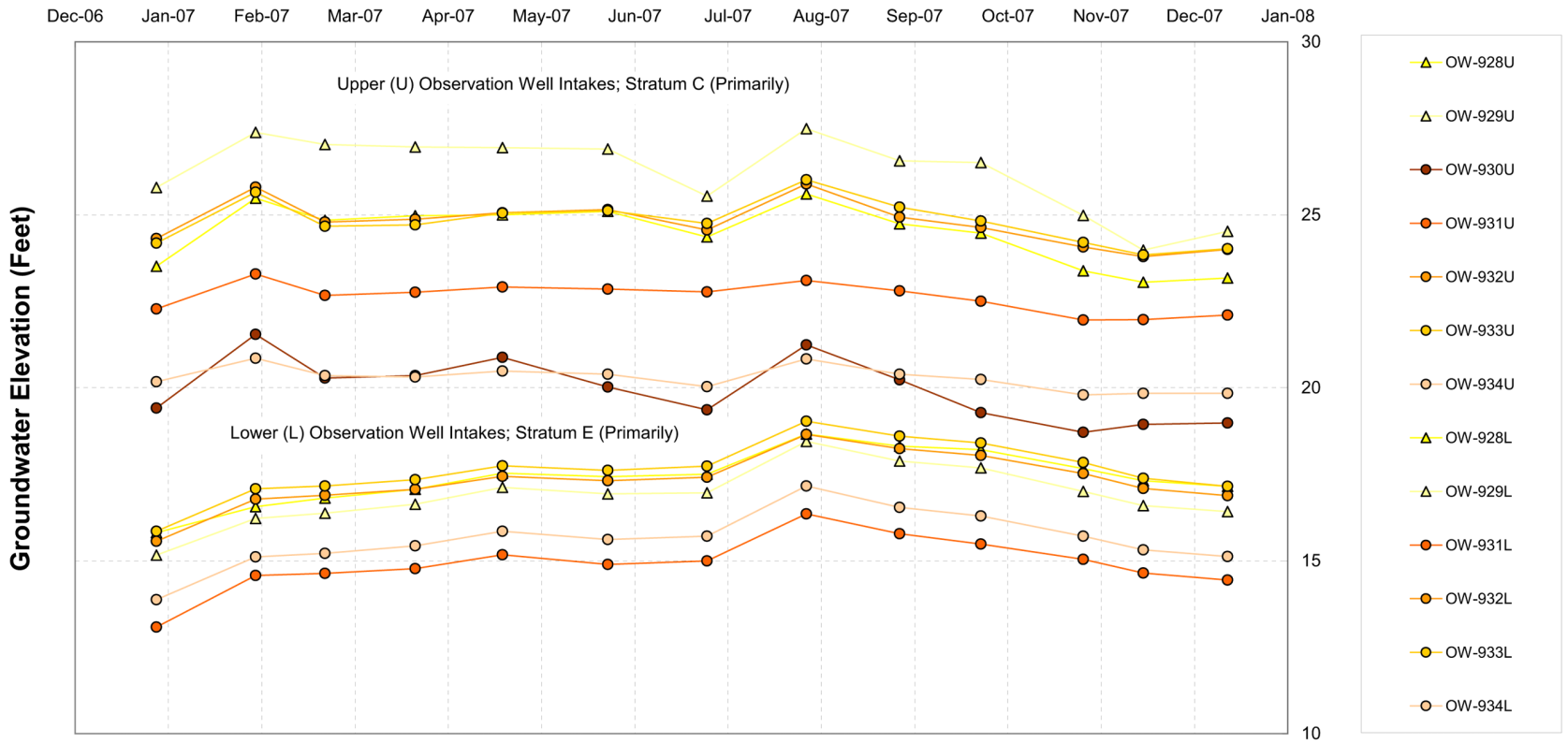


Figure 2.5S.4-56 Measured Groundwater Levels (Outside Power Block)



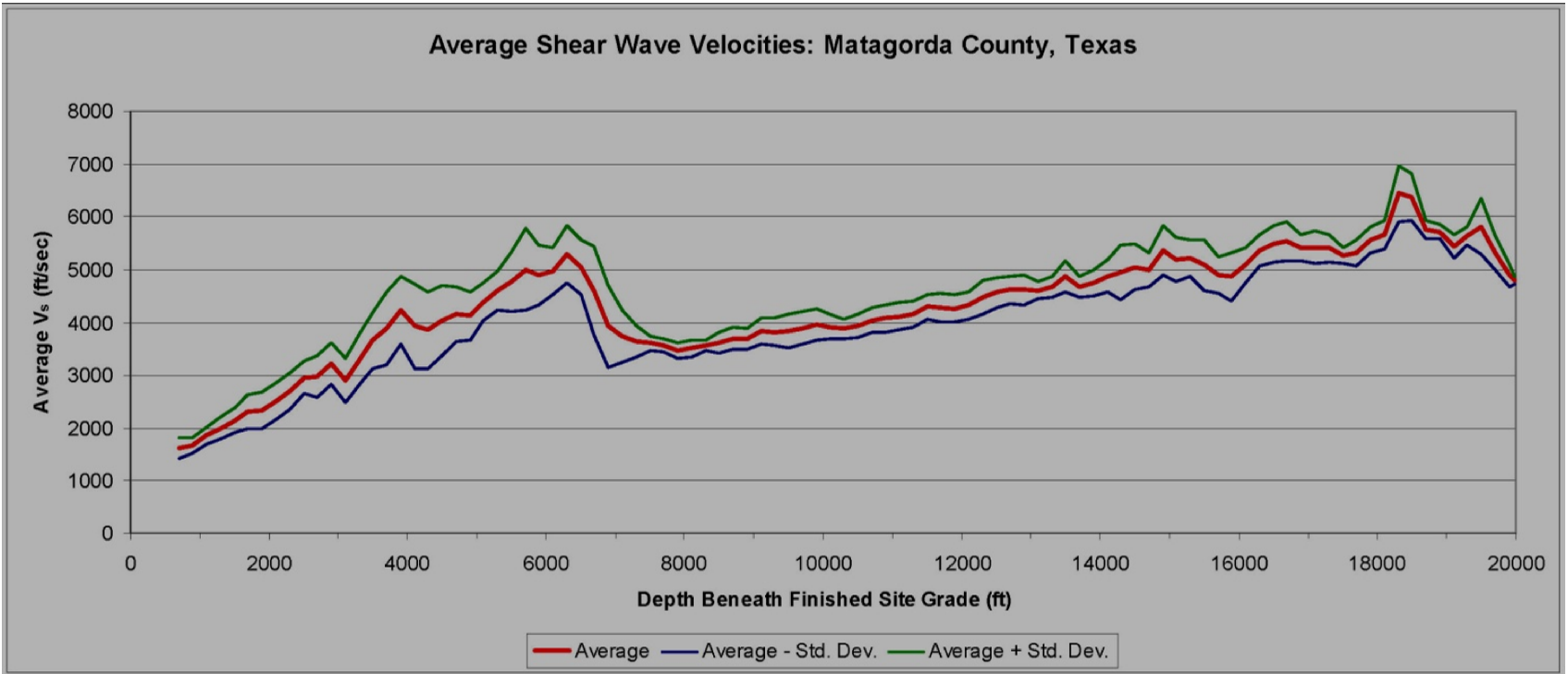


Figure 2.5S.4-57 Deep Shear Wave Velocity Profile for the STP Site

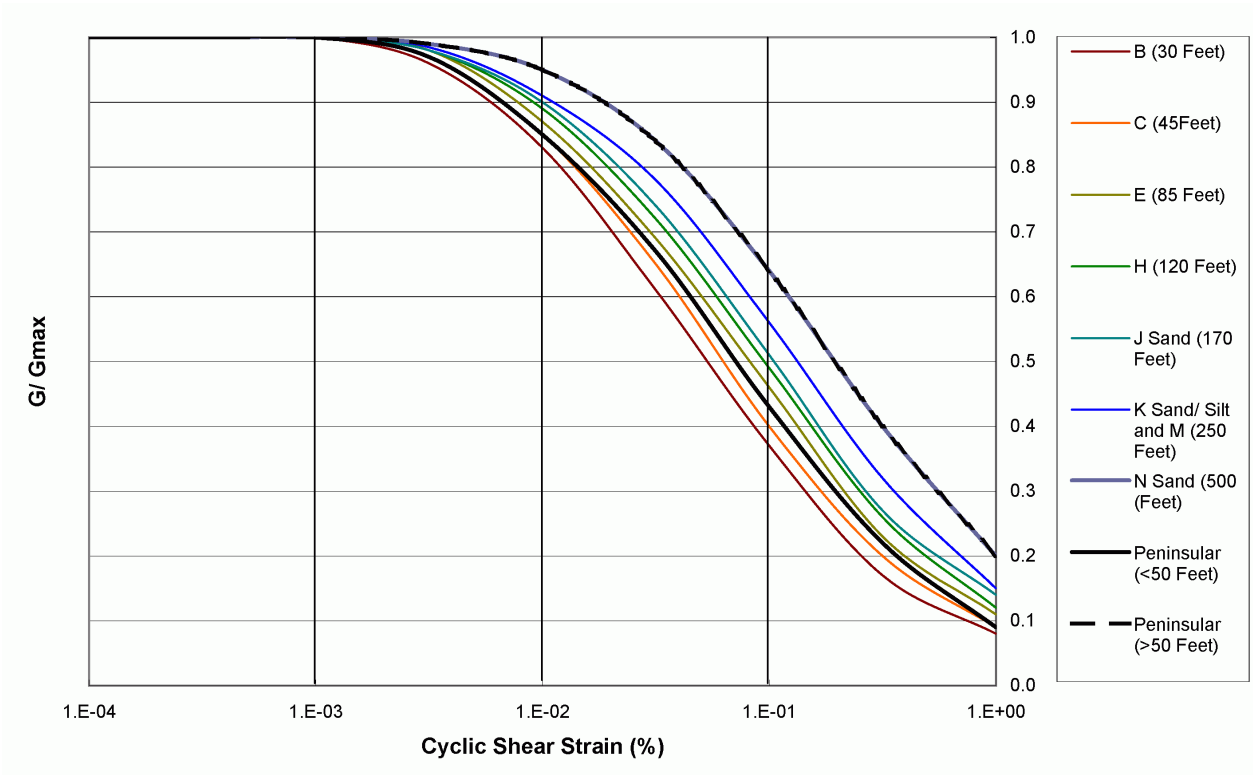


Figure 2.5S.4-58 Selected Shear Modulus Degradation Curves for Cohesionless Soil Strata

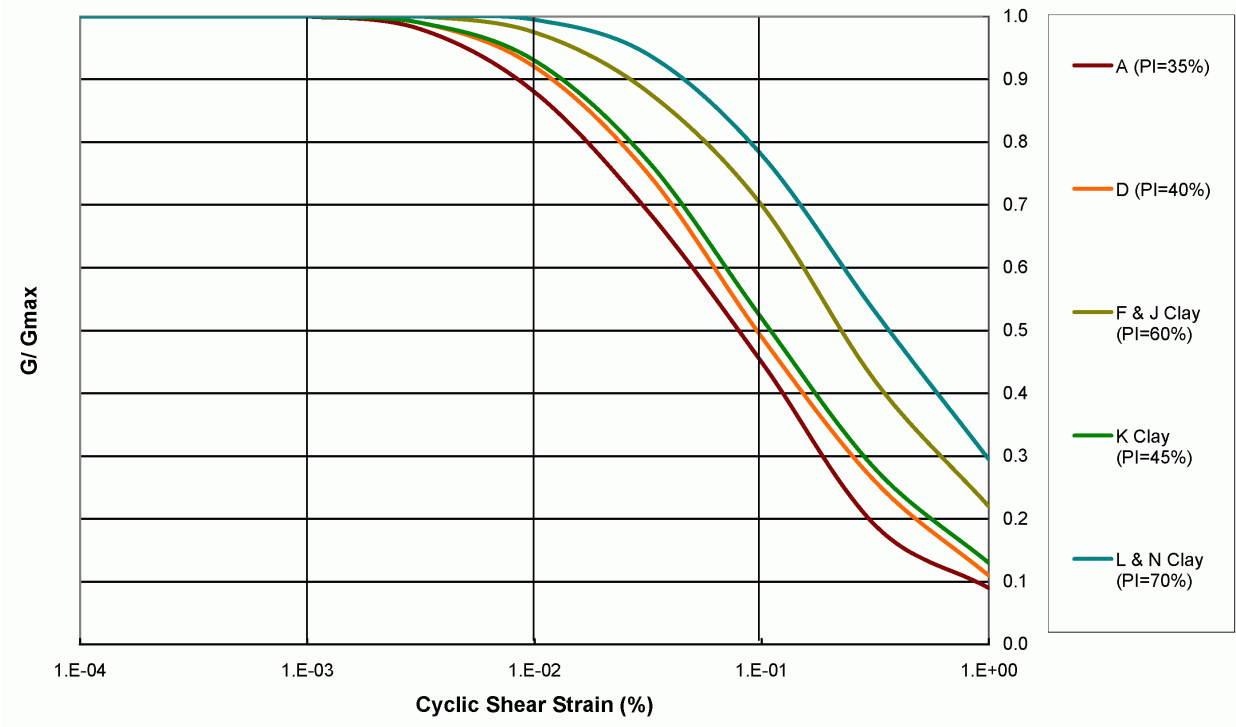


Figure 2.5S.4-59 Selected Shear Modulus Degradation Curves for Cohesive Soil Strata

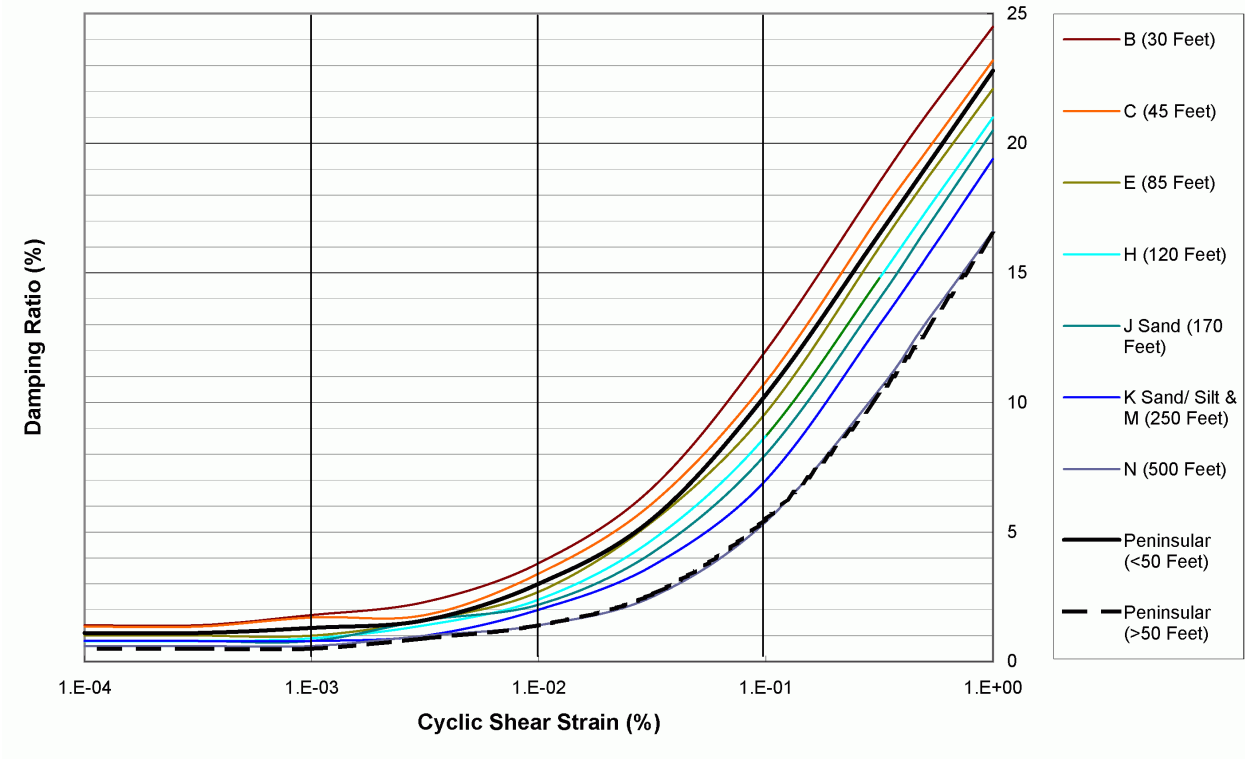


Figure 2.5S.4-60 Selected Damping Ratio Curves for Cohesionless Soil Strata

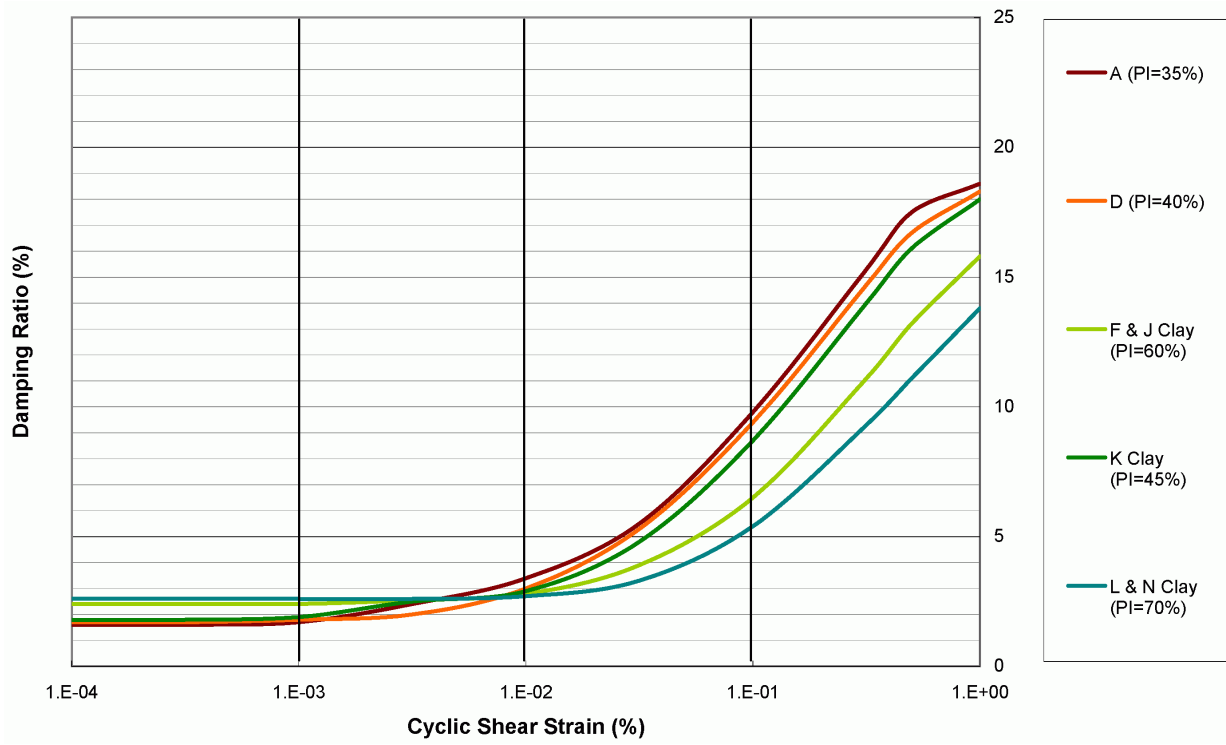


Figure 2.5S.4-61 Selected Damping Ratio Curves for Cohesive Soil Strata

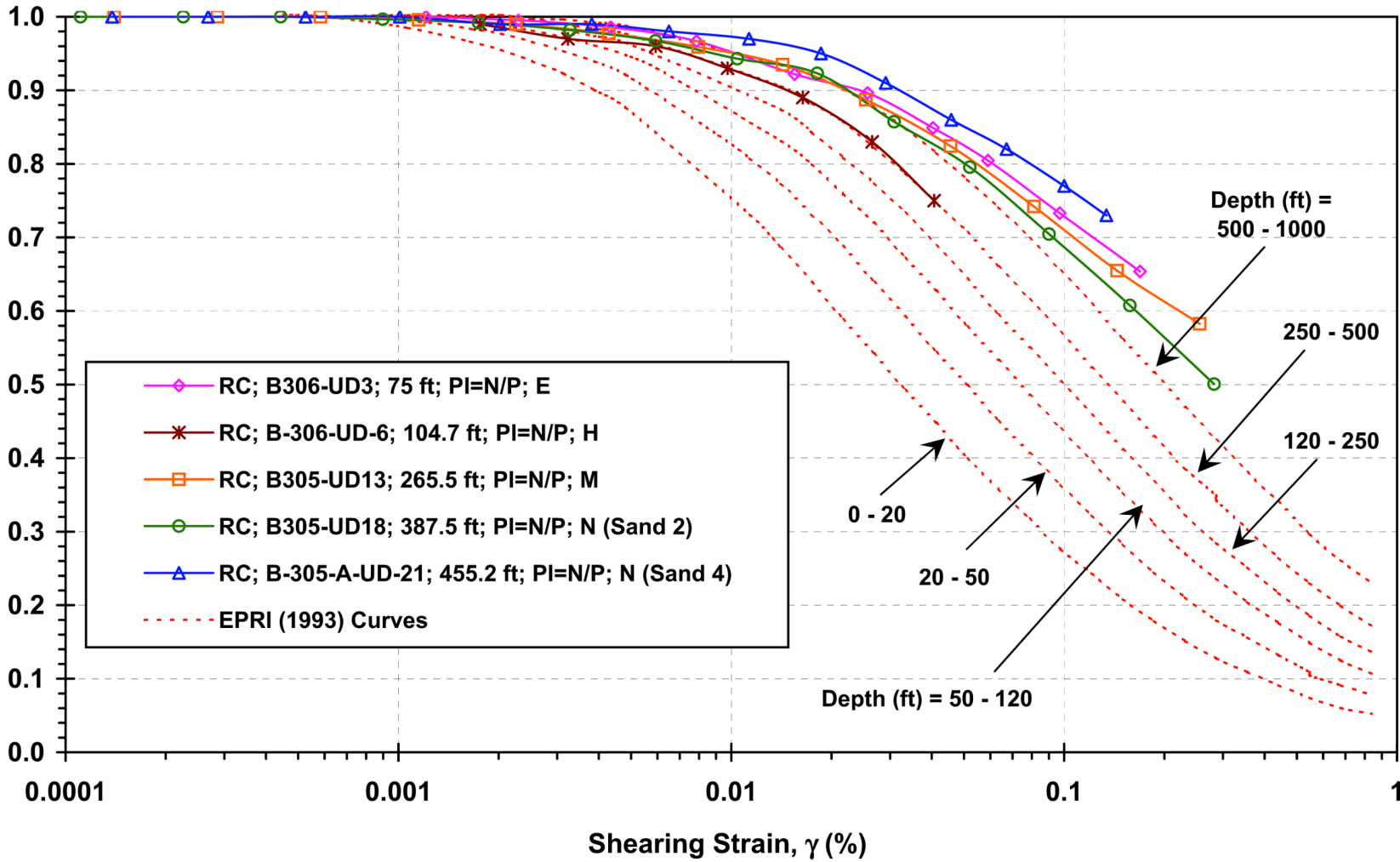


Figure 2.5S.4-62 Shear Modulus Degradation Based on RCTS Testing – All Sand Samples

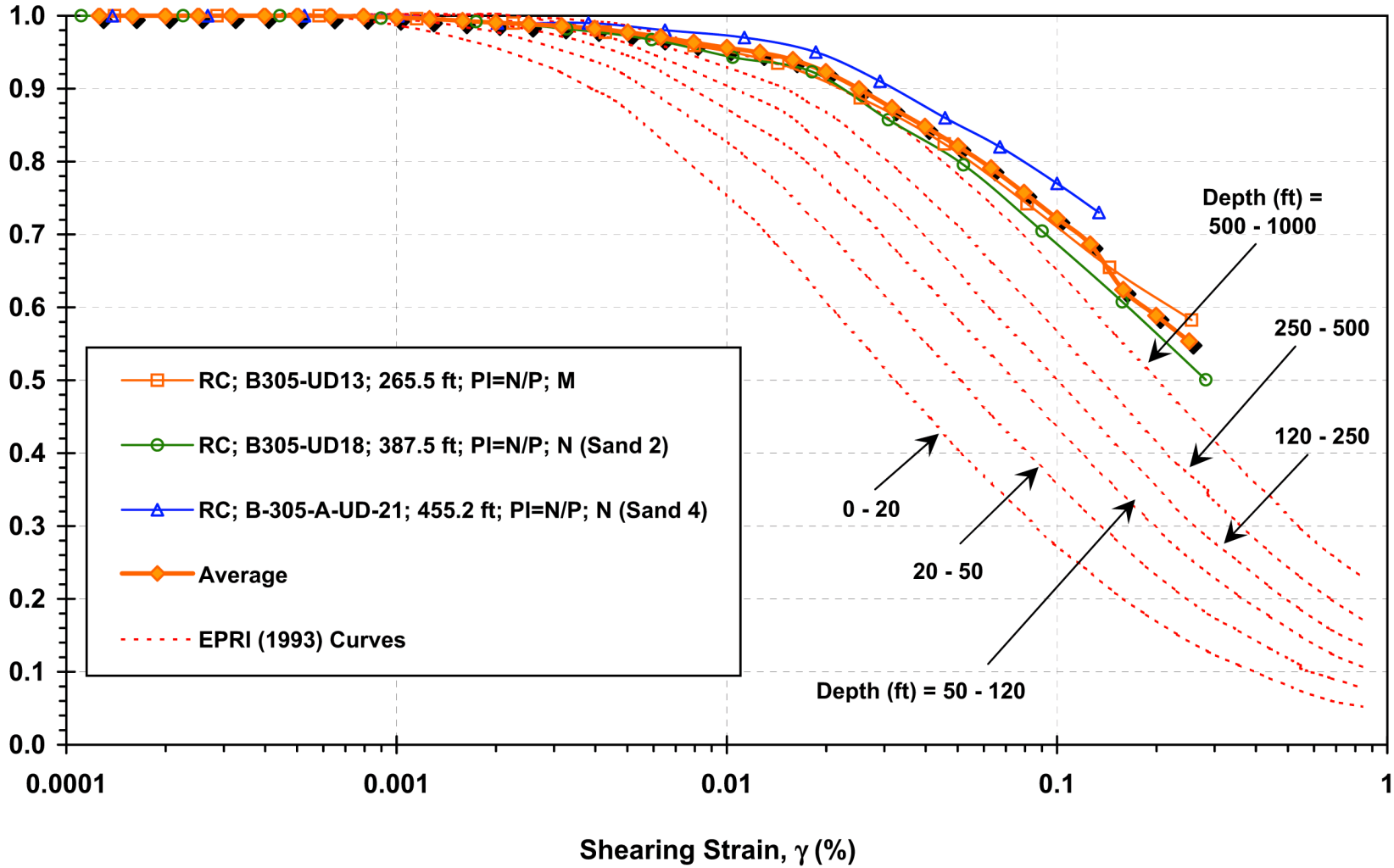


Figure 2.5S.4-63 Shear Modulus Degradation Based on RCTS Testing - Deep Sand Samples

### G Reduction Curves (InSitu Stress Level)

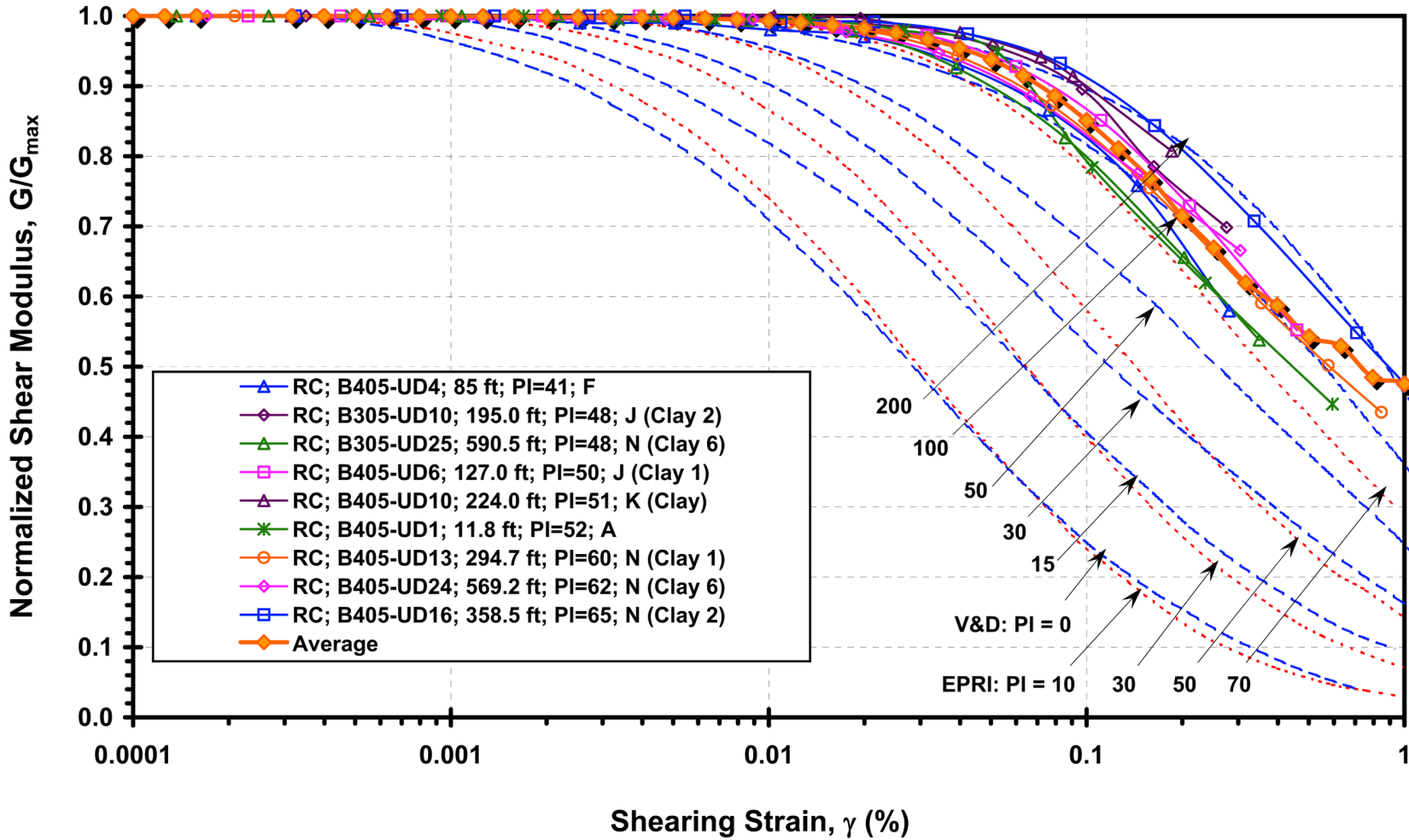


Figure 2.5S.4-64 Shear Modulus Degradation Based on RCTS Testing - High PI Clay Sample



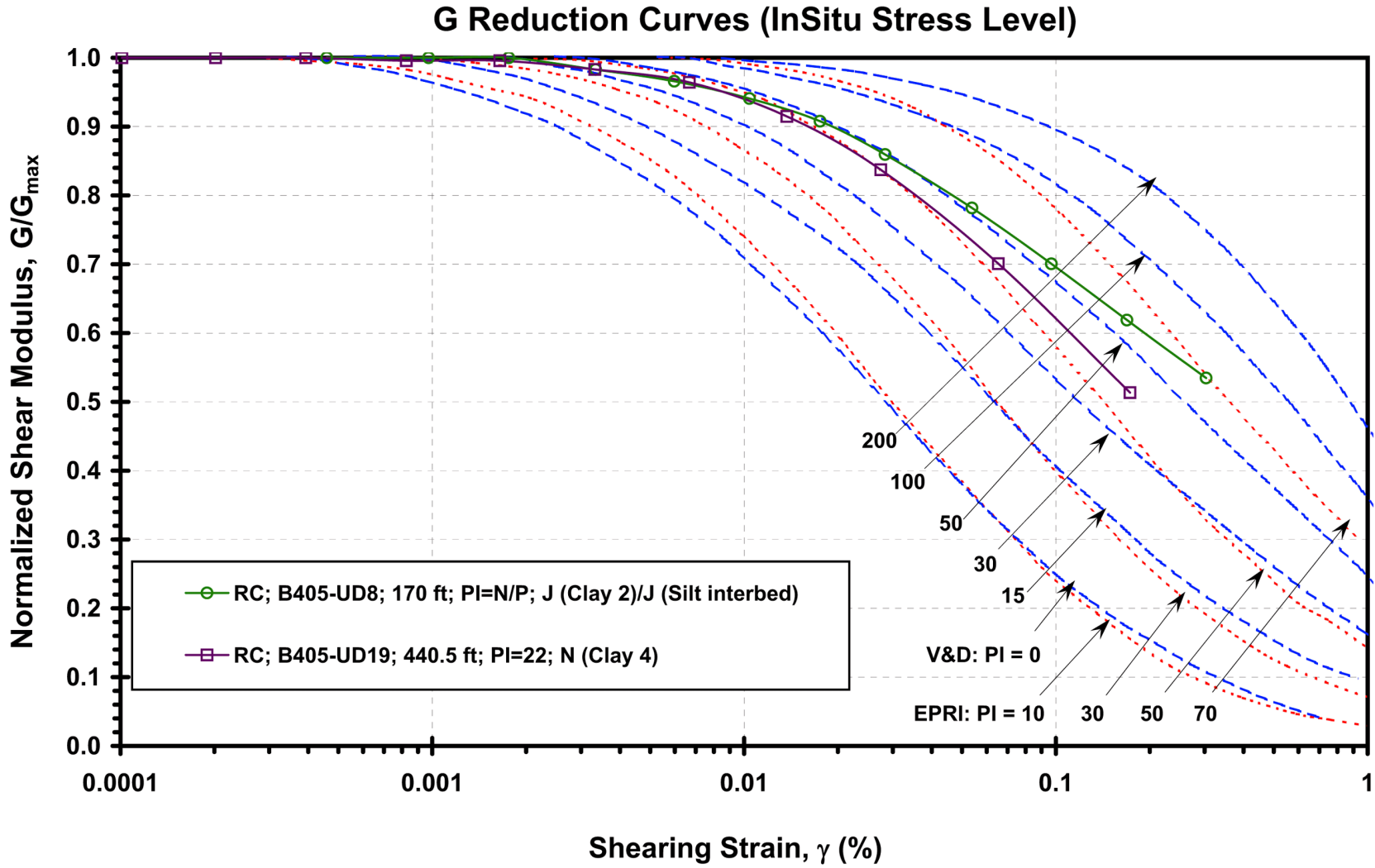


Figure 2.5S.4-65 Shear Modulus Degradation Based on RCTS Testing - Low PI Clay Sample

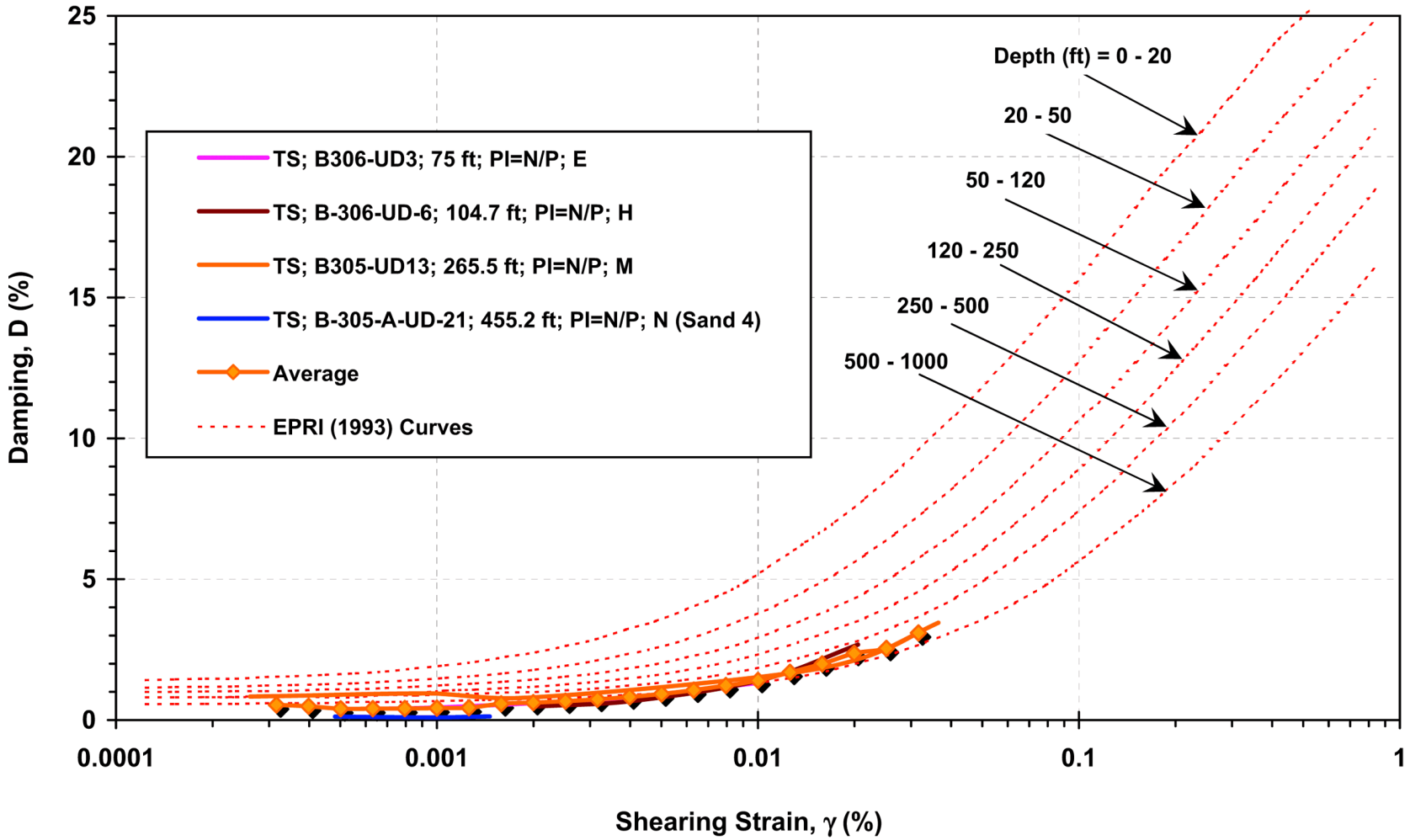


Figure 2.5S.4-66 Damping Curve Measurements Based on RCTS Testing - Sand Samples

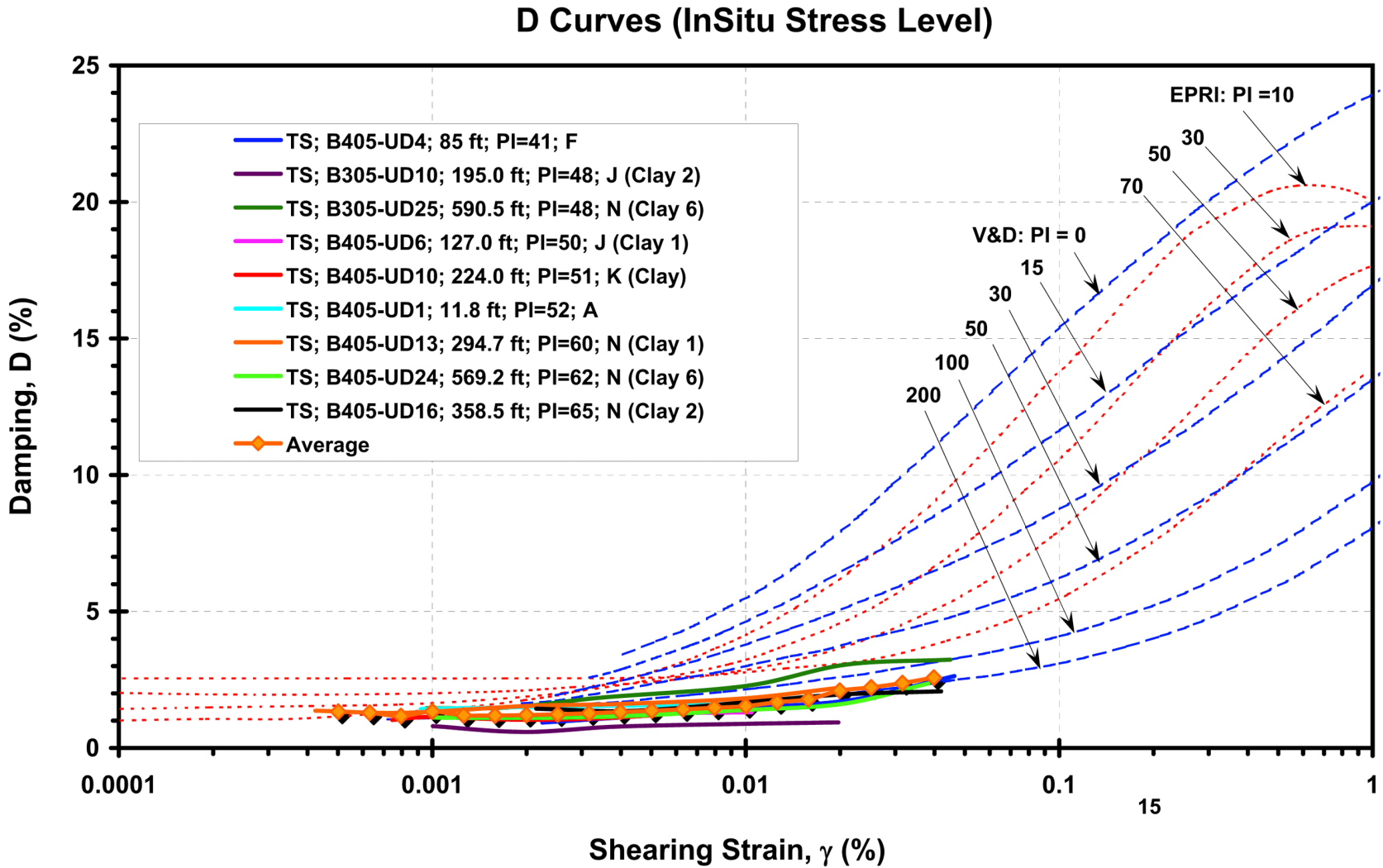


Figure 2.5S.4-67 Damping Curve Measurements Based on RCTS Testing - High PI Clay Samples

### D Curves (InSitu Stress Level)

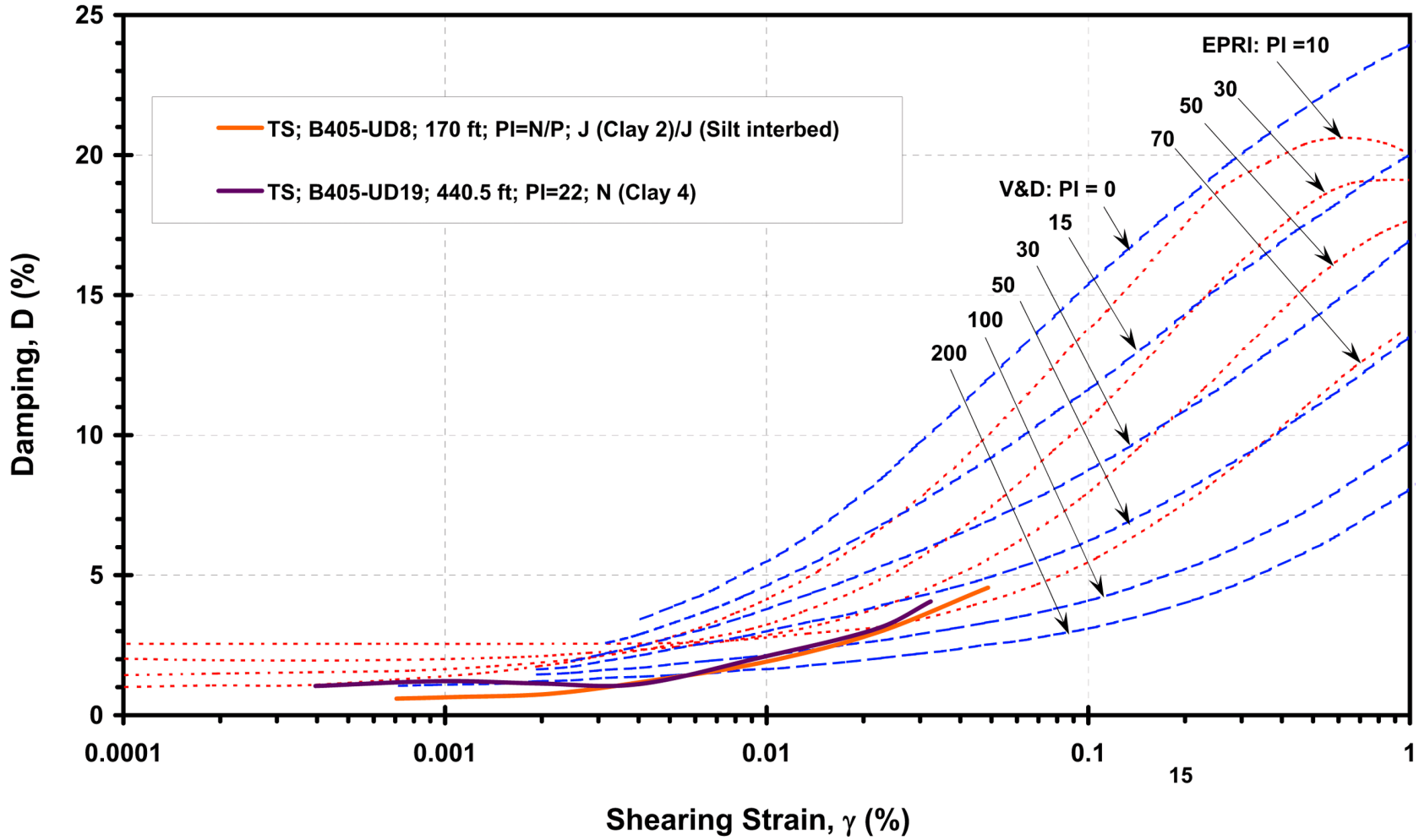


Figure 2.5S.4-68 Damping Curve Measurements Based on RCTS Testing - Low PI Samples

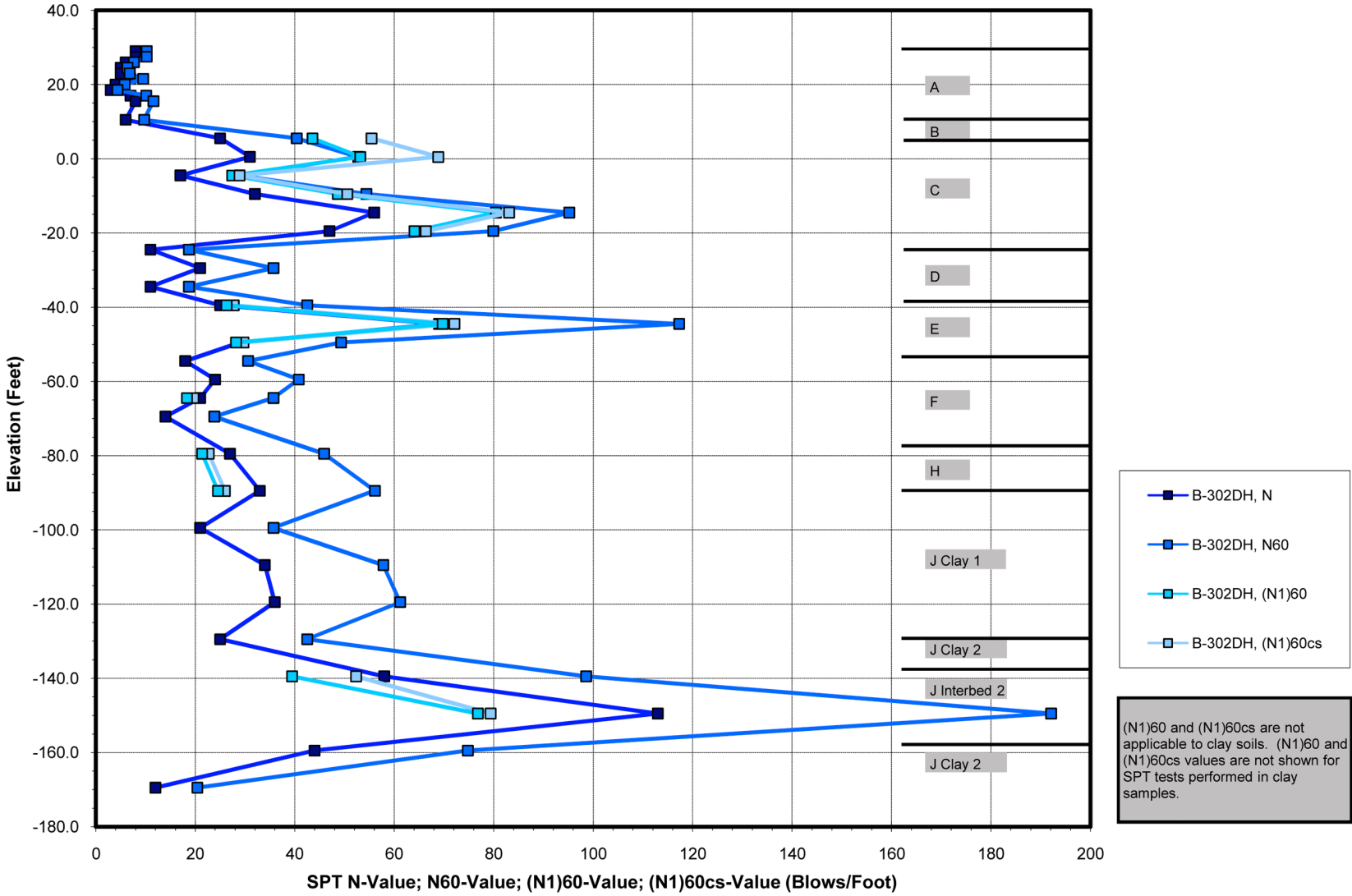


Figure 2.5S.4-69 STP 3; Example (SPT N-Value N -to- N60 -to- (N<sub>1</sub>)60 -to- (N<sub>1</sub>)60cs)

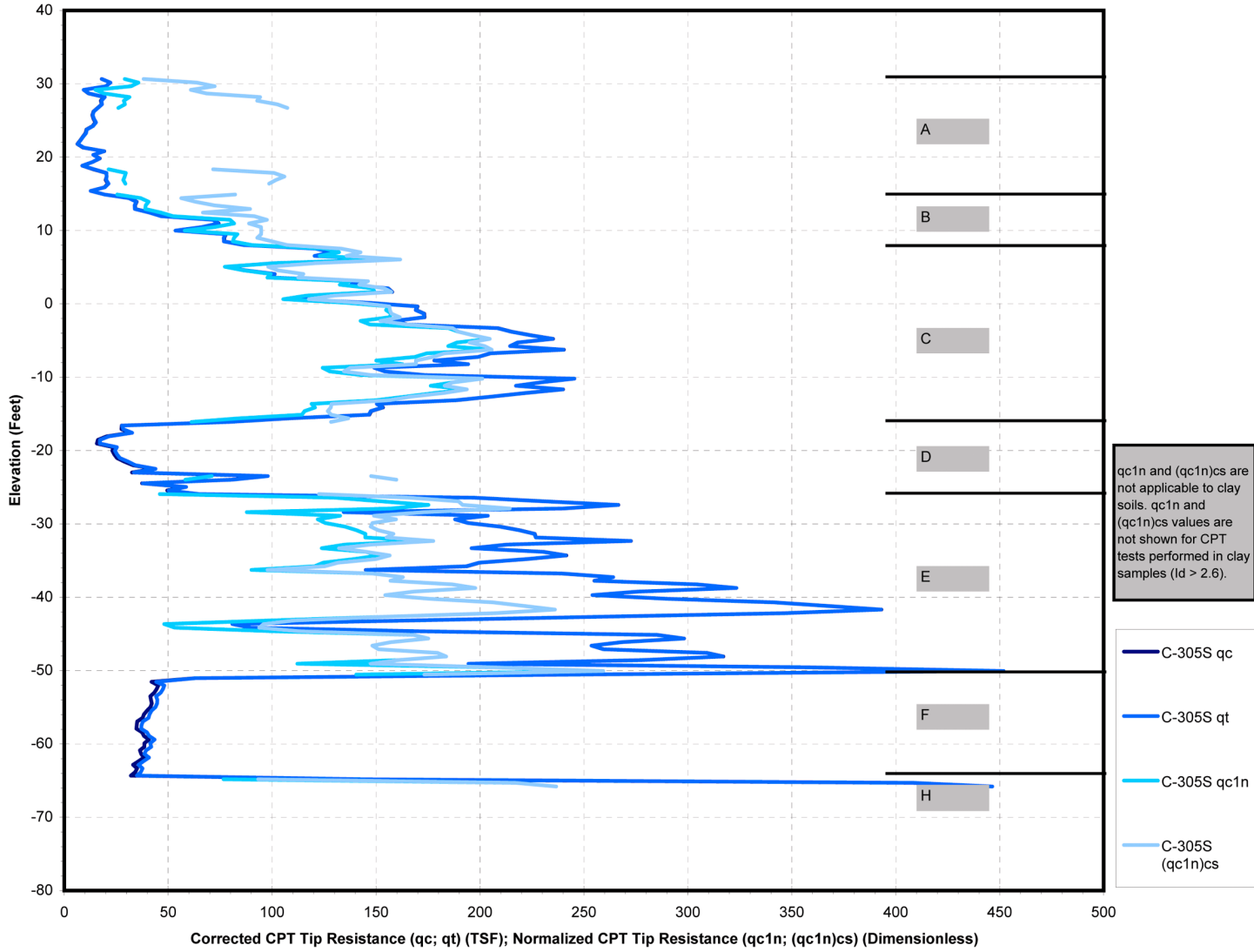


Figure 2.5S.4-70 CPT C-305S (CPT 3; Example; CPT Tip Resistance  $q_c$  -to-  $q_t$  -to-  $q_{c1n}$  -to-  $(q_{c1n})_{cs}$ )

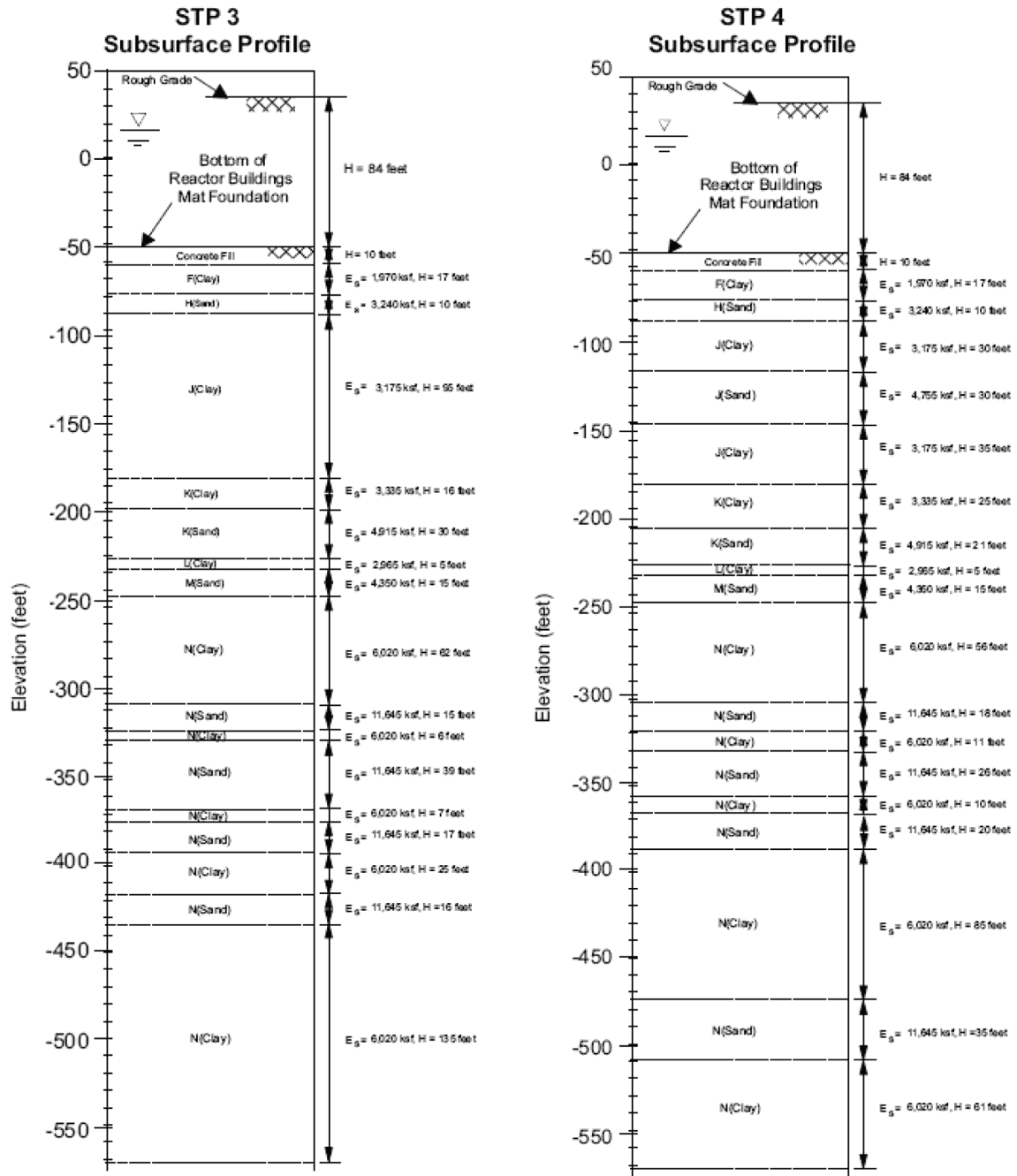


Figure 2.5S.4-71 Adopted Subsurface profiles for the STP 3 & 4 Reactor Buildings

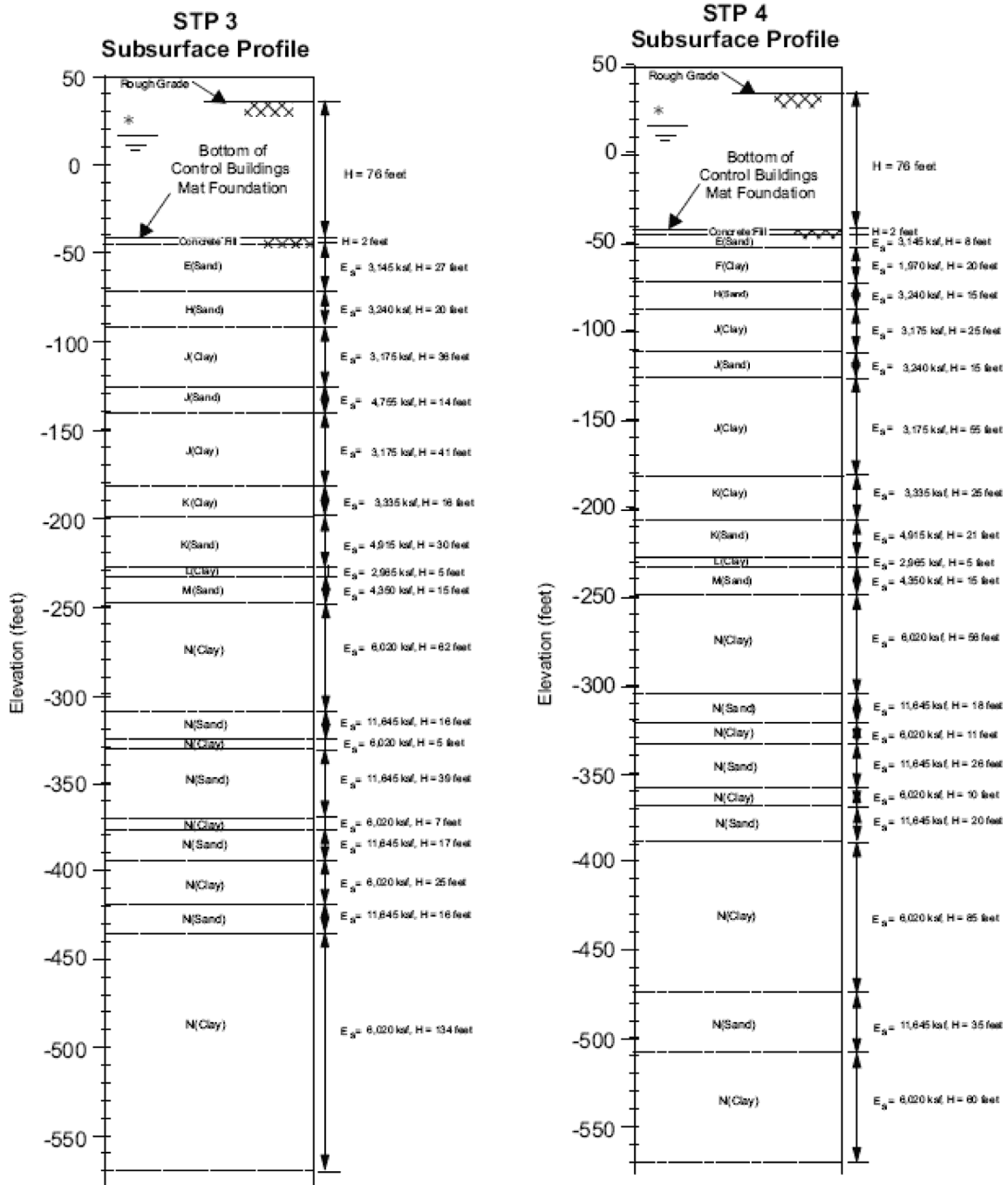


Figure 2.5S.4-72 Adopted Subsurface profiles for the STP 3 & 4 Control Buildings



**Figure 2.5S.4-73 Not Used**

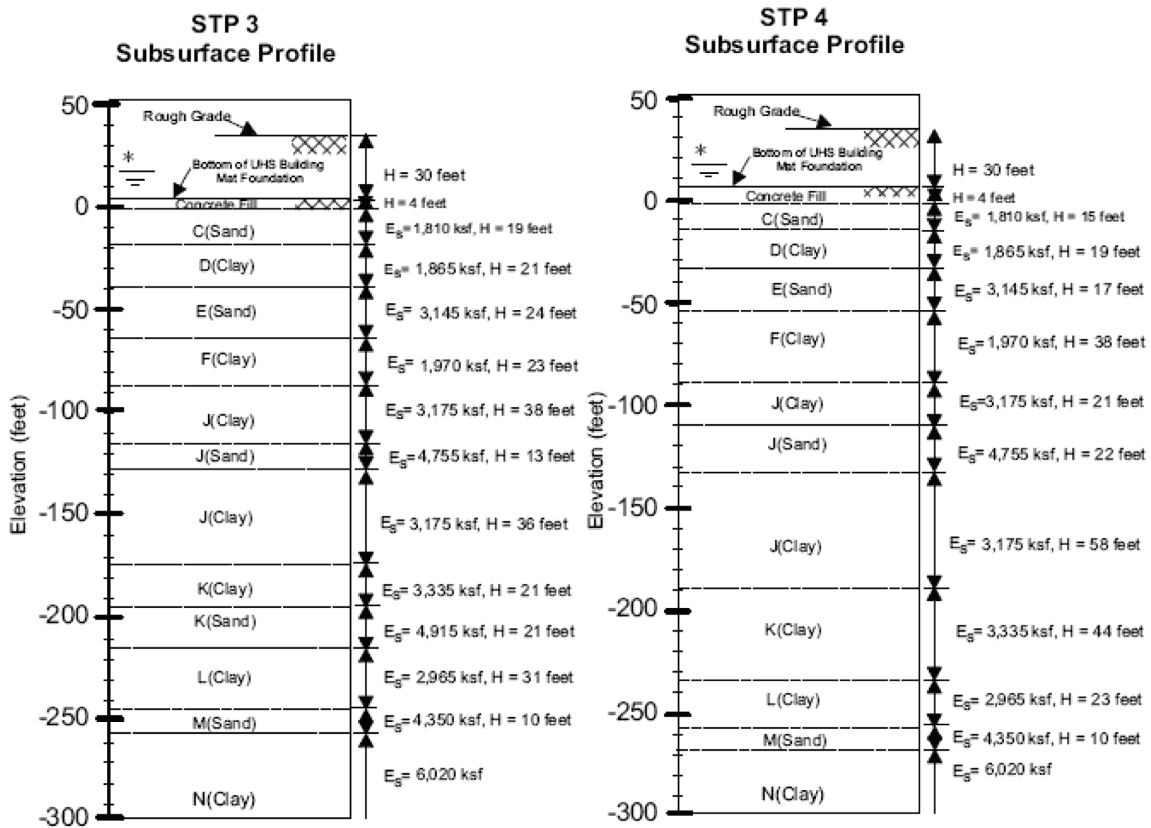


Figure 2.5S.4-74 Adopted Subsurface profiles for the STP 3 & 4 UHS Basins

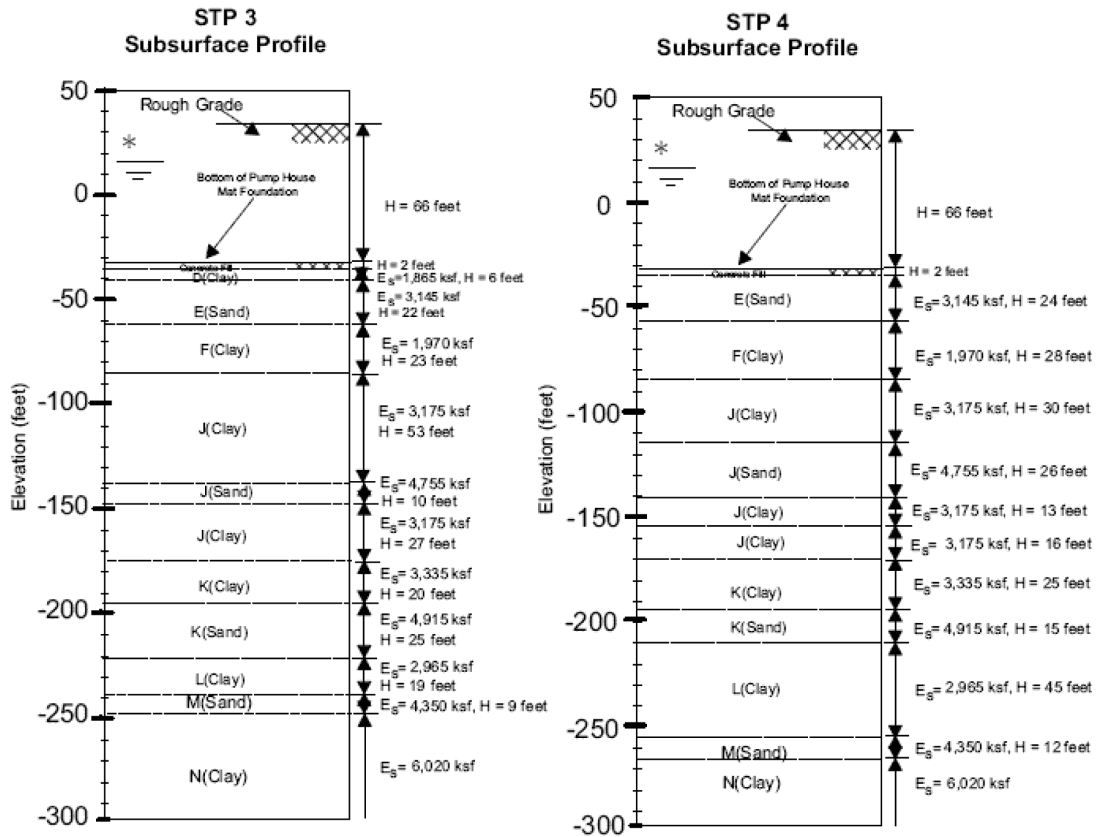


Figure 2.5S.4-74A Adopted Subsurface Profiles for the STP 3 & 4 RSW Pump Houses

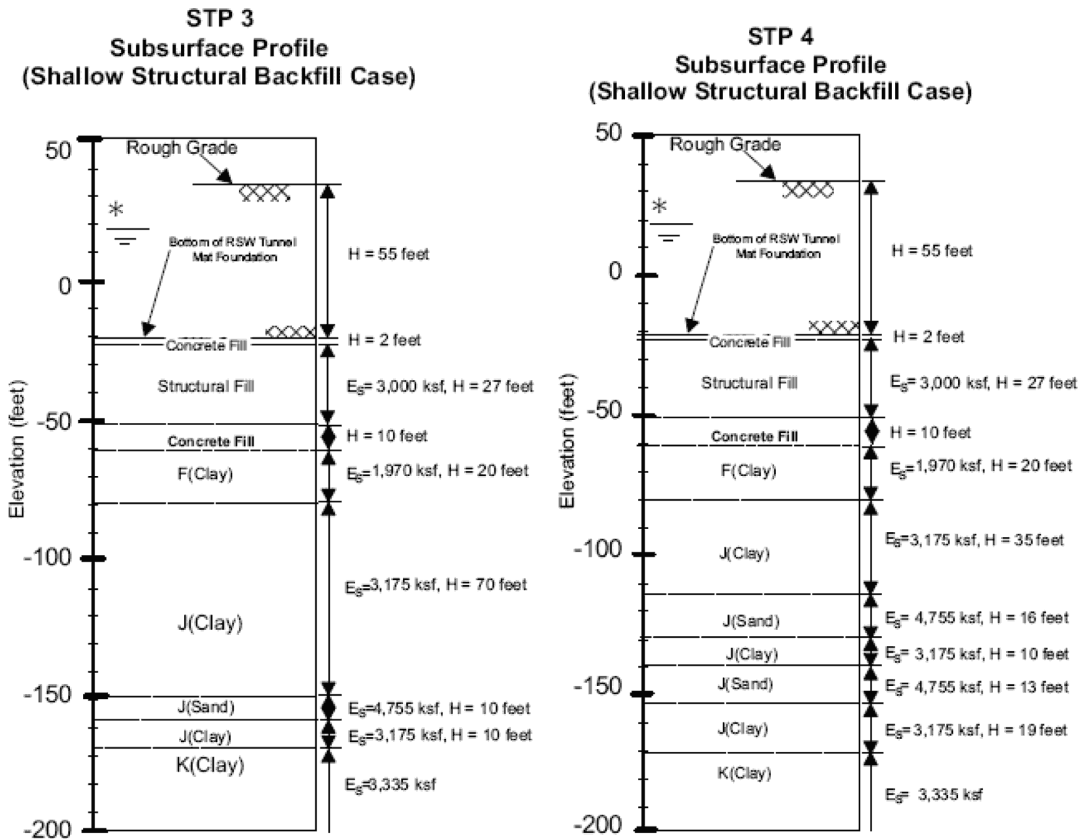


Figure 2.5S.4-74B Adopted Subsurface Profiles for the STP 3 & 4 RSW Tunnels

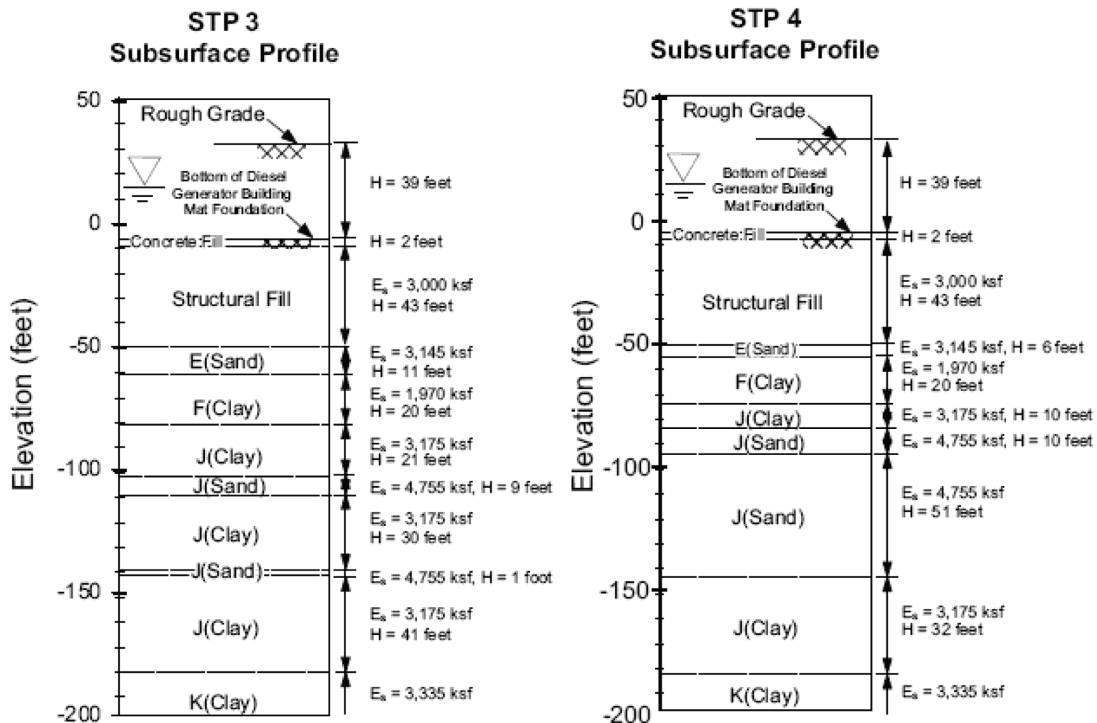


Figure 2.5S.4-74C Adopted Subsurface Profiles for the STP 3 & 4 Diesel Generator Fuel Oil Storage Vaults (No. 1 of 3)

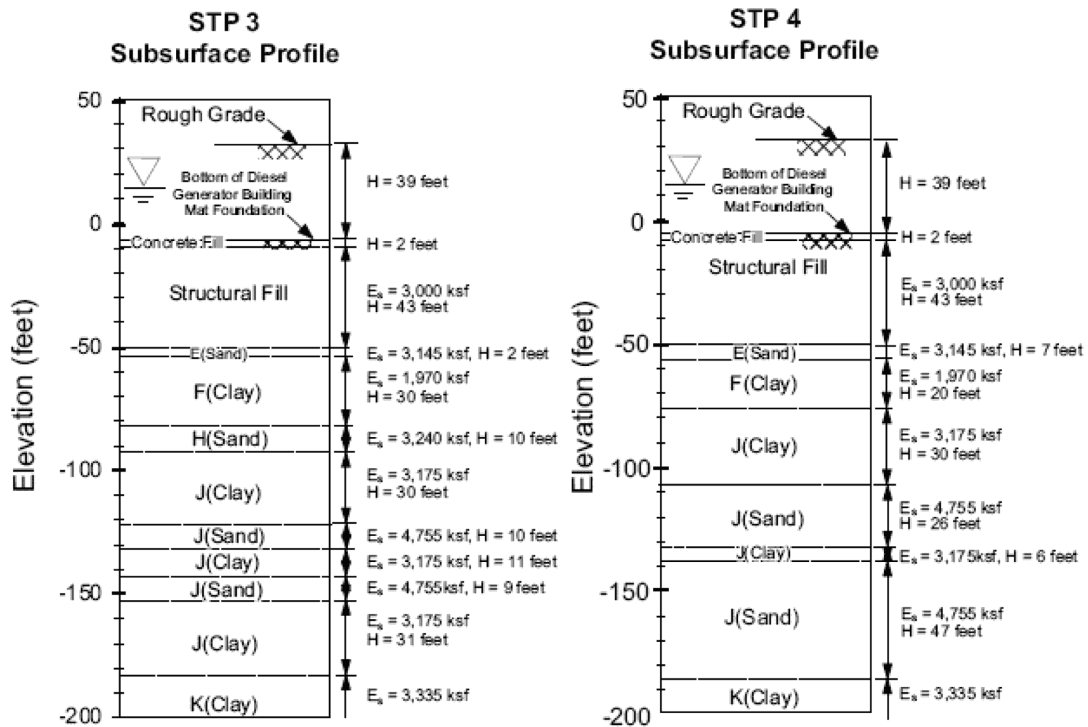


Figure 2.5S.4-74C Adopted Subsurface Profiles for the STP 3 & 4 Diesel Generator Fuel Oil Storage Vaults (No. 2 of 3)

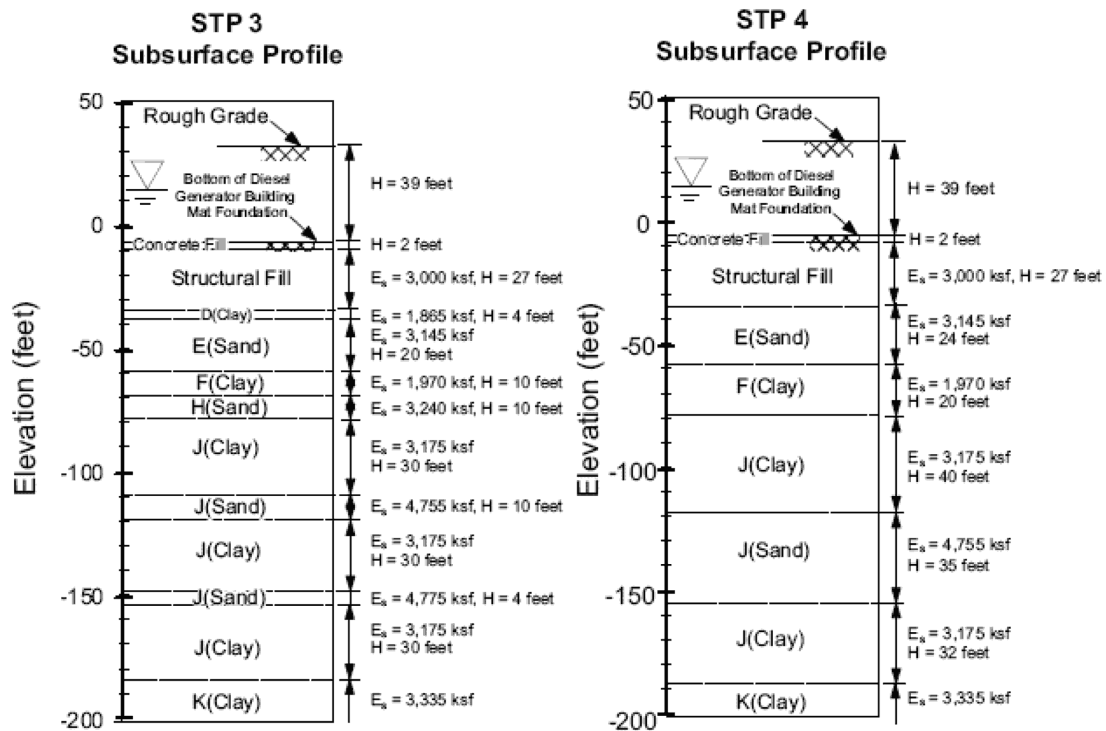


Figure 2.5S.4-74C Adopted Subsurface Profiles for the STP 3 & 4 Diesel Generator Fuel Oil Storage Vaults (No. 3 of 3)

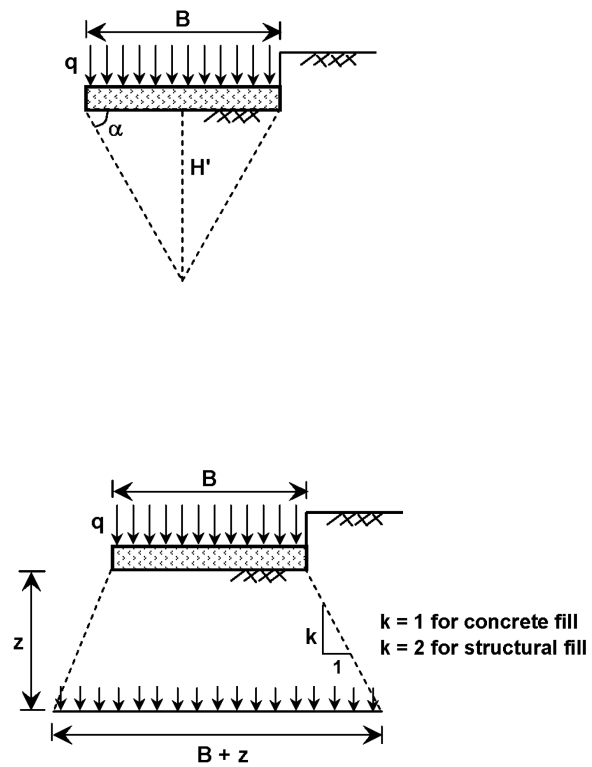


Figure 2.5S.4-75 Nomenclature for Foundation Wedge and Pressure Distribution Diagrams



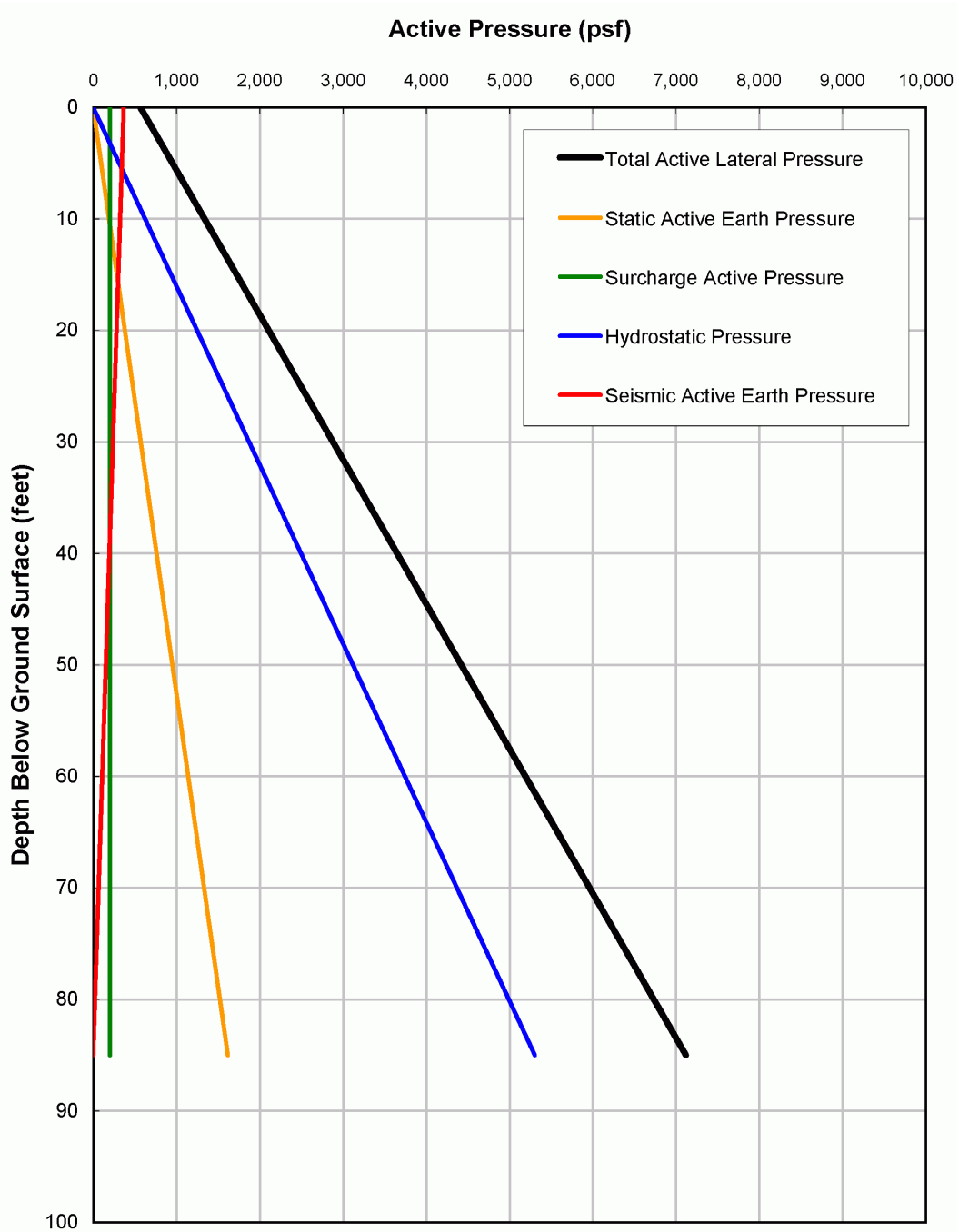


Figure 2.5S.4-76 Sample Active Lateral Earth Pressure Diagrams

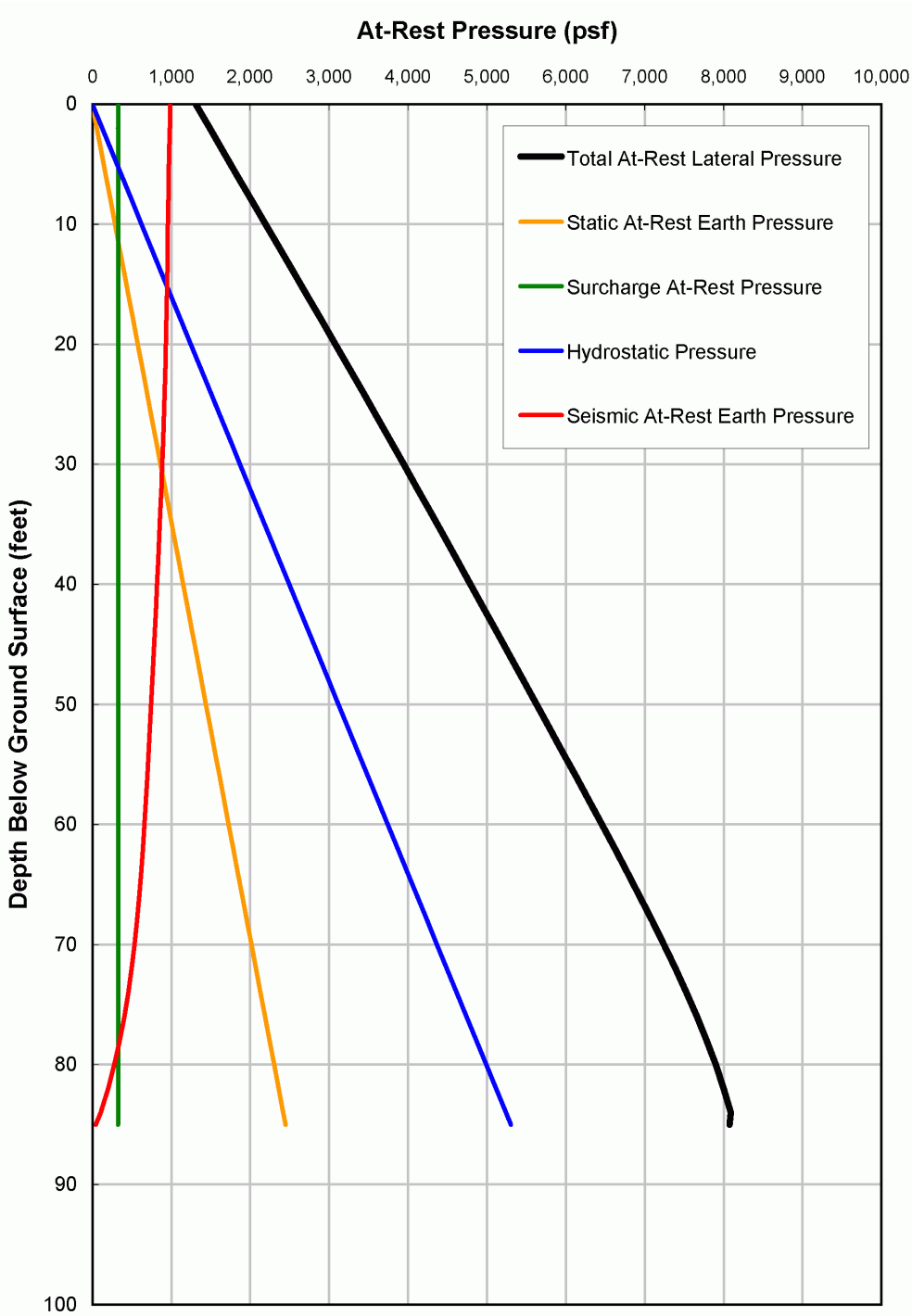


Figure 2.5S.4-77 Sample At-Rest Lateral Earth Pressure Diagrams

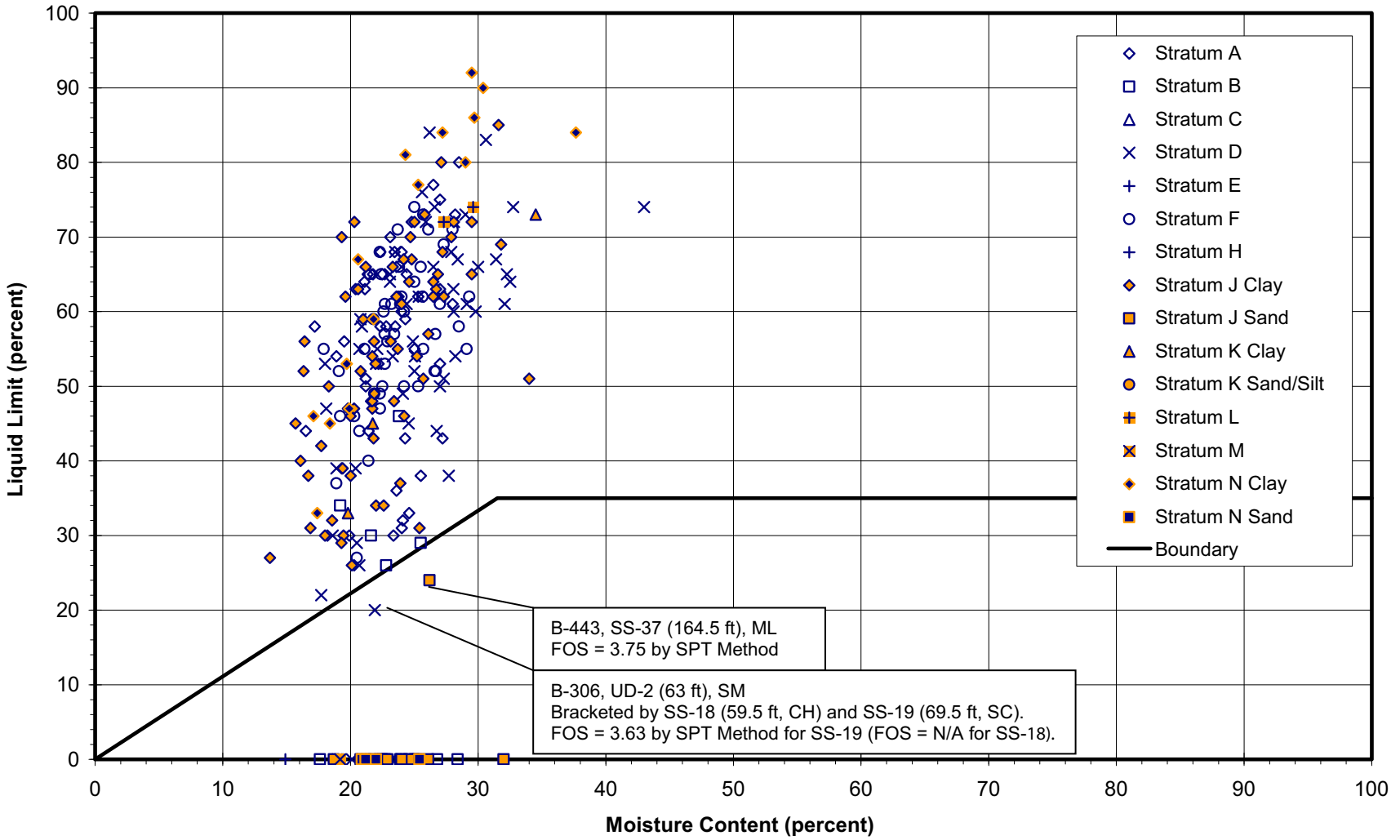


Figure 2.5S.4-78 Liquefaction Evaluation of Clayey Soils

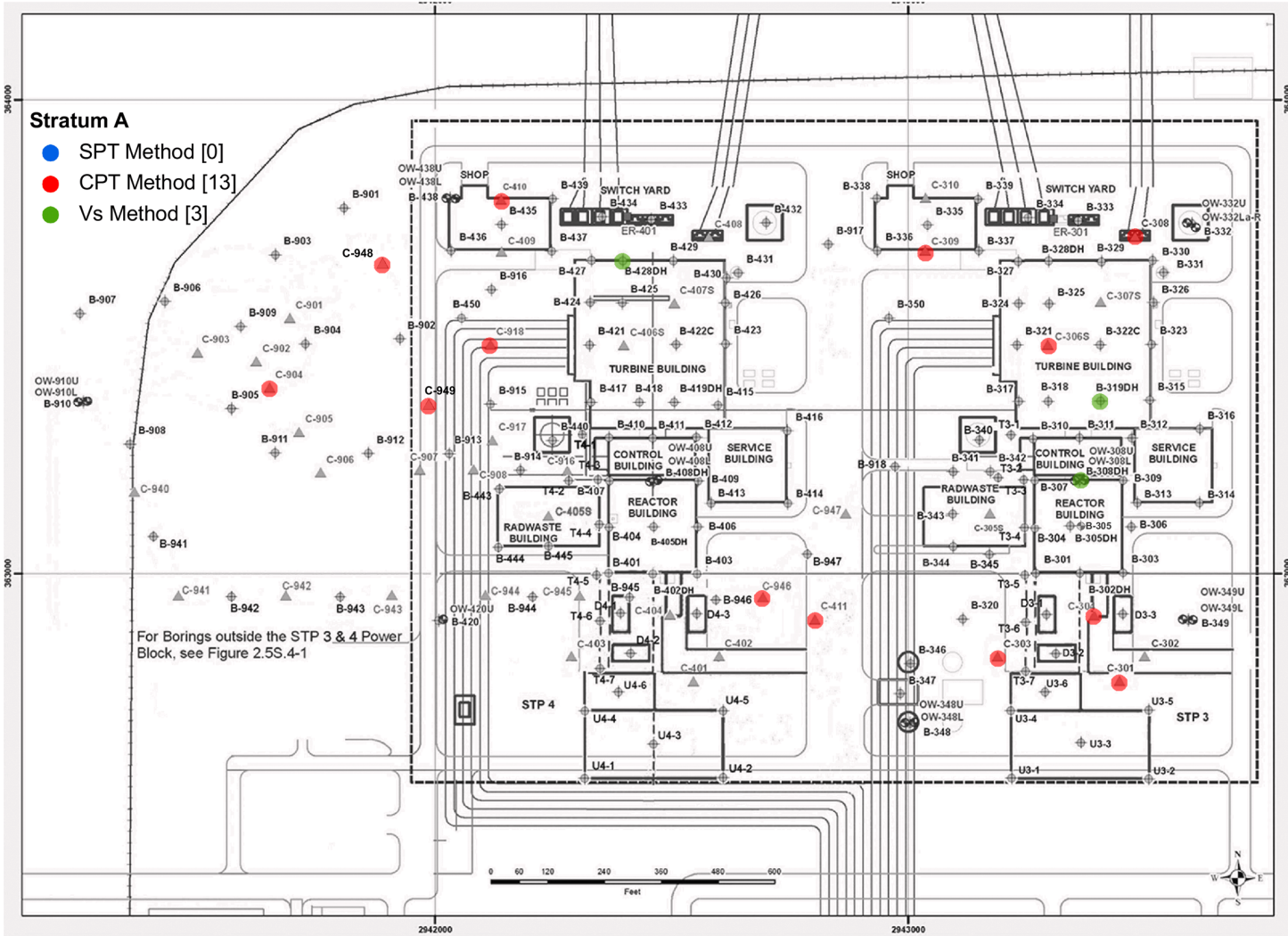


Figure 2.5S.4-79A Spatial Distribution of Low Liquefaction Factor of Safety Values, Stratum A

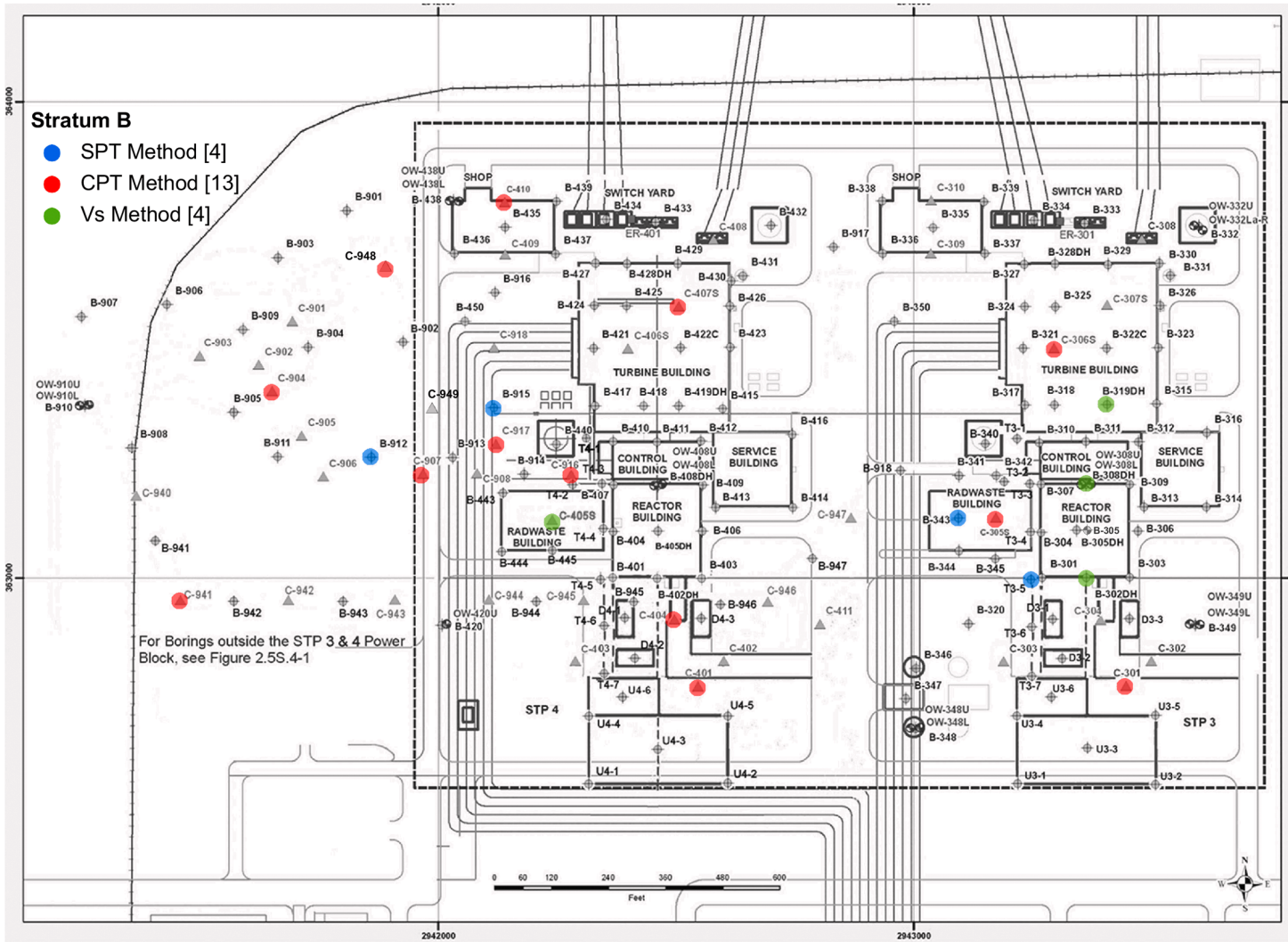


Figure 2.5S.4-79B Spatial Distribution of Low Liquefaction Factor of Safety Values, Stratum B



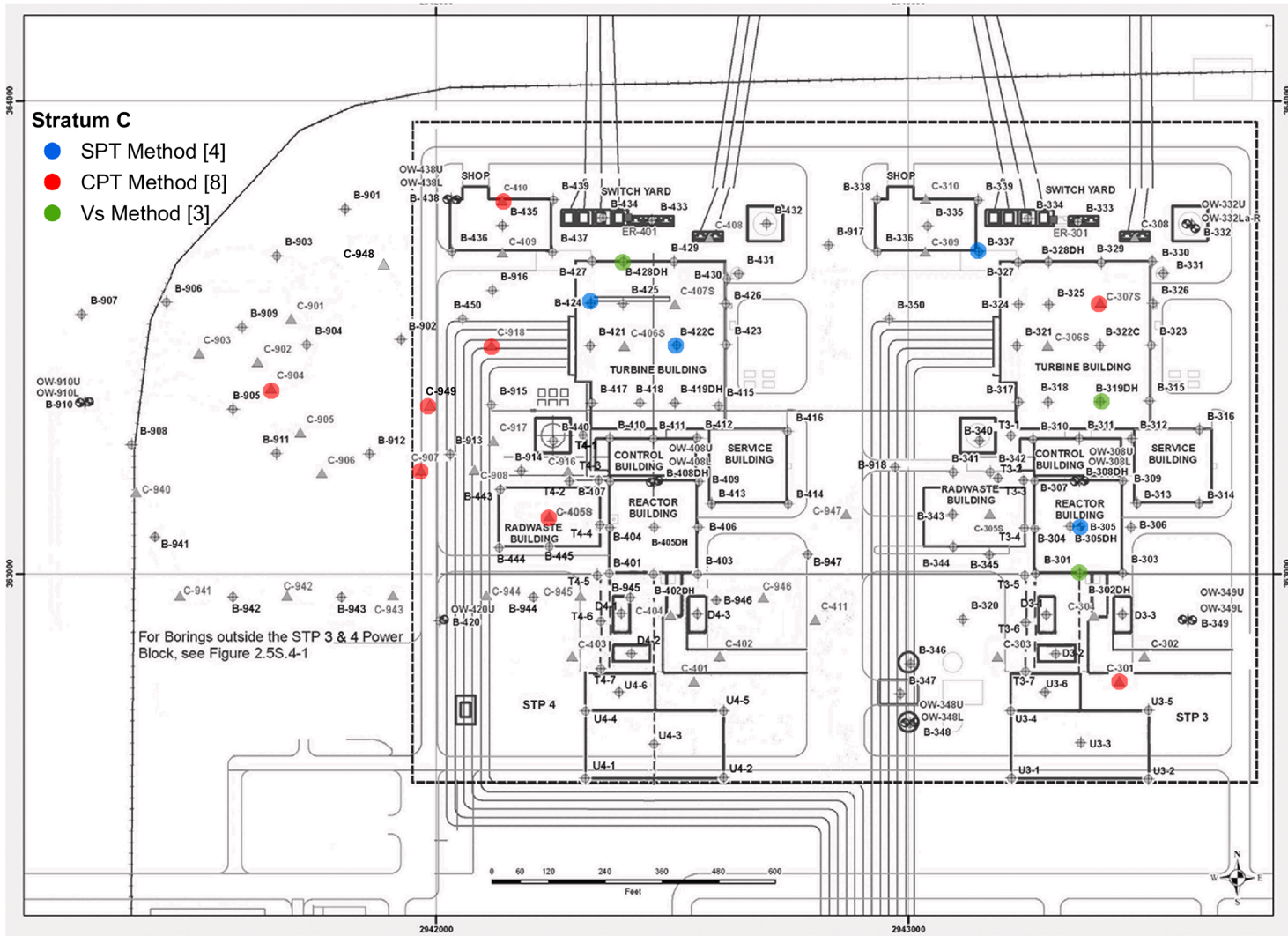


Figure 2.5S.4-79C Spatial Distribution of Low Liquefaction Factor of Safety Values, Stratum C

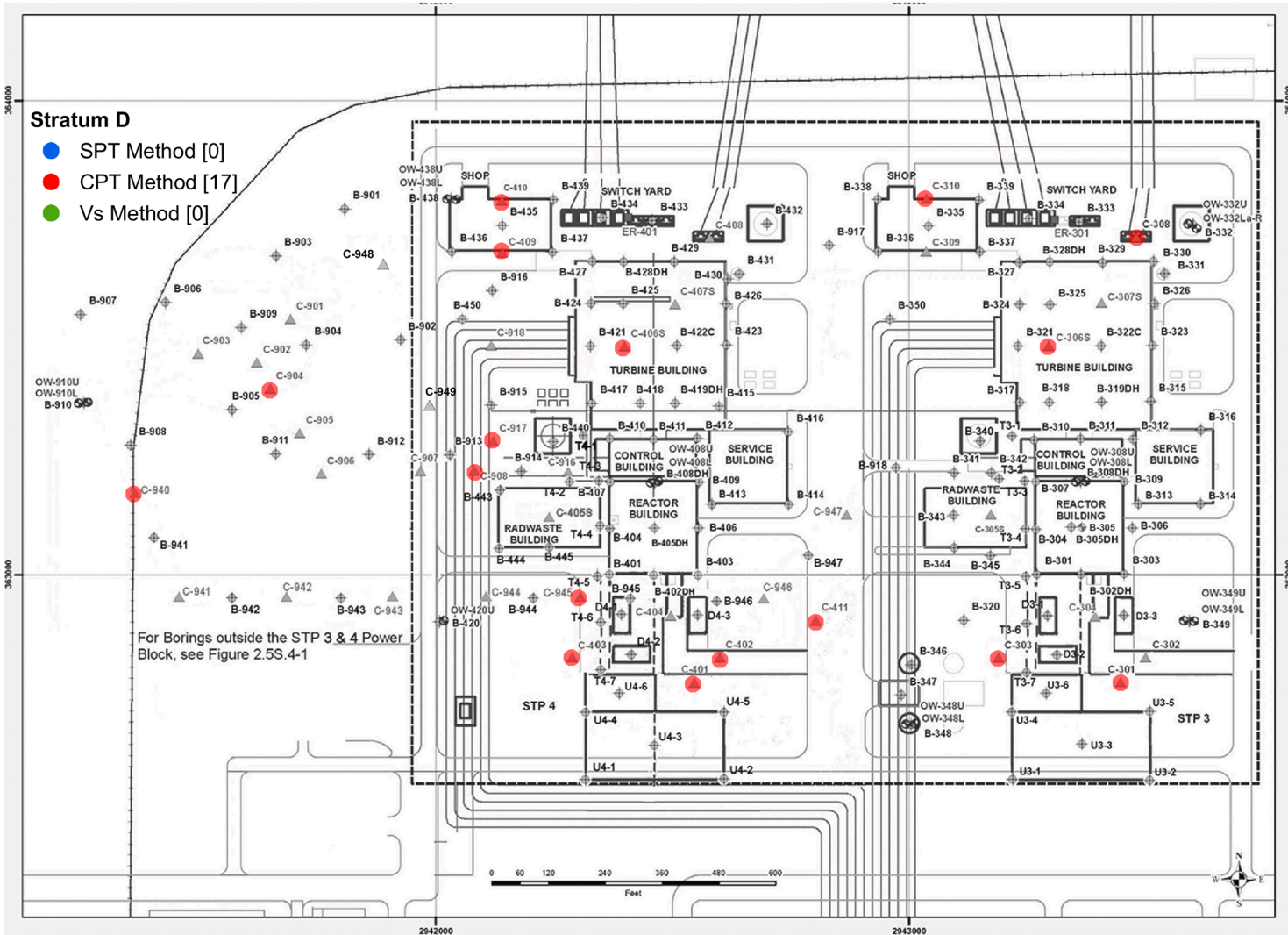


Figure 2.5S.4-79D Spatial Distribution of Low Liquefaction Factor of Safety Values, Stratum D

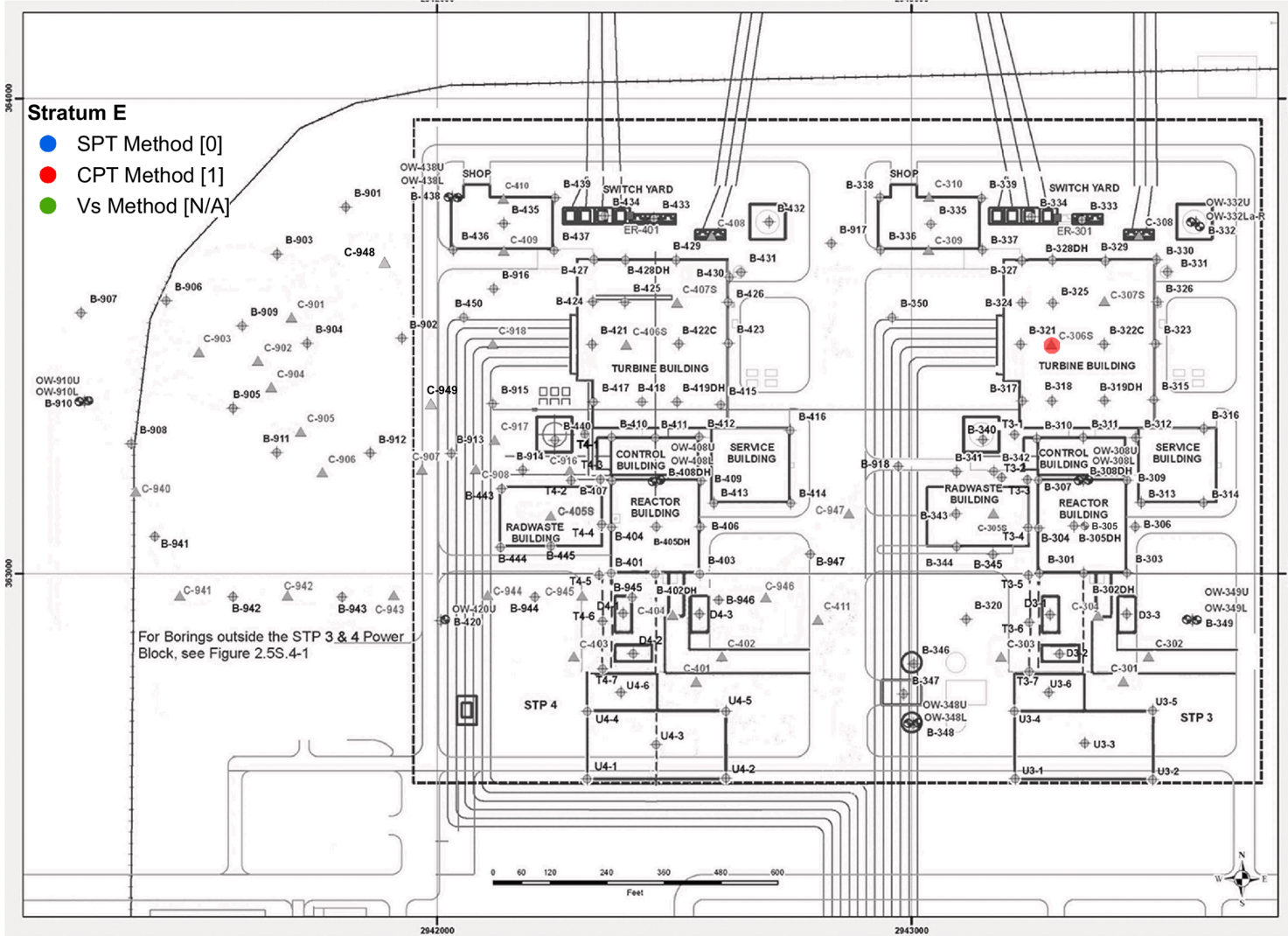


Figure 2.5S.4-79E Spatial Distribution of Low Liquefaction Factor of Safety Values, Stratum E



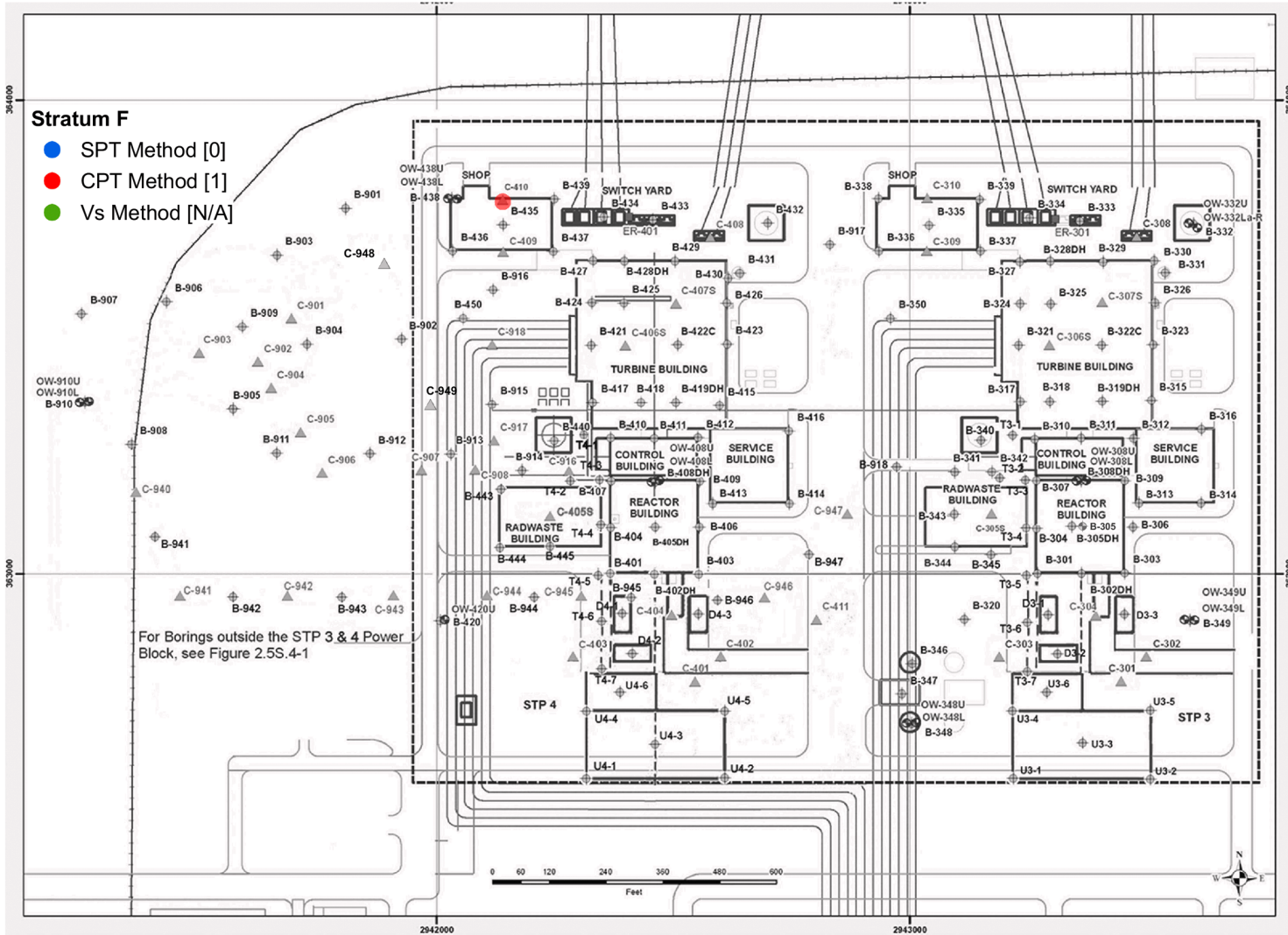


Figure 2.5S.4-79F Spatial Distribution of Low Liquefaction Factor of Safety Values, Stratum F

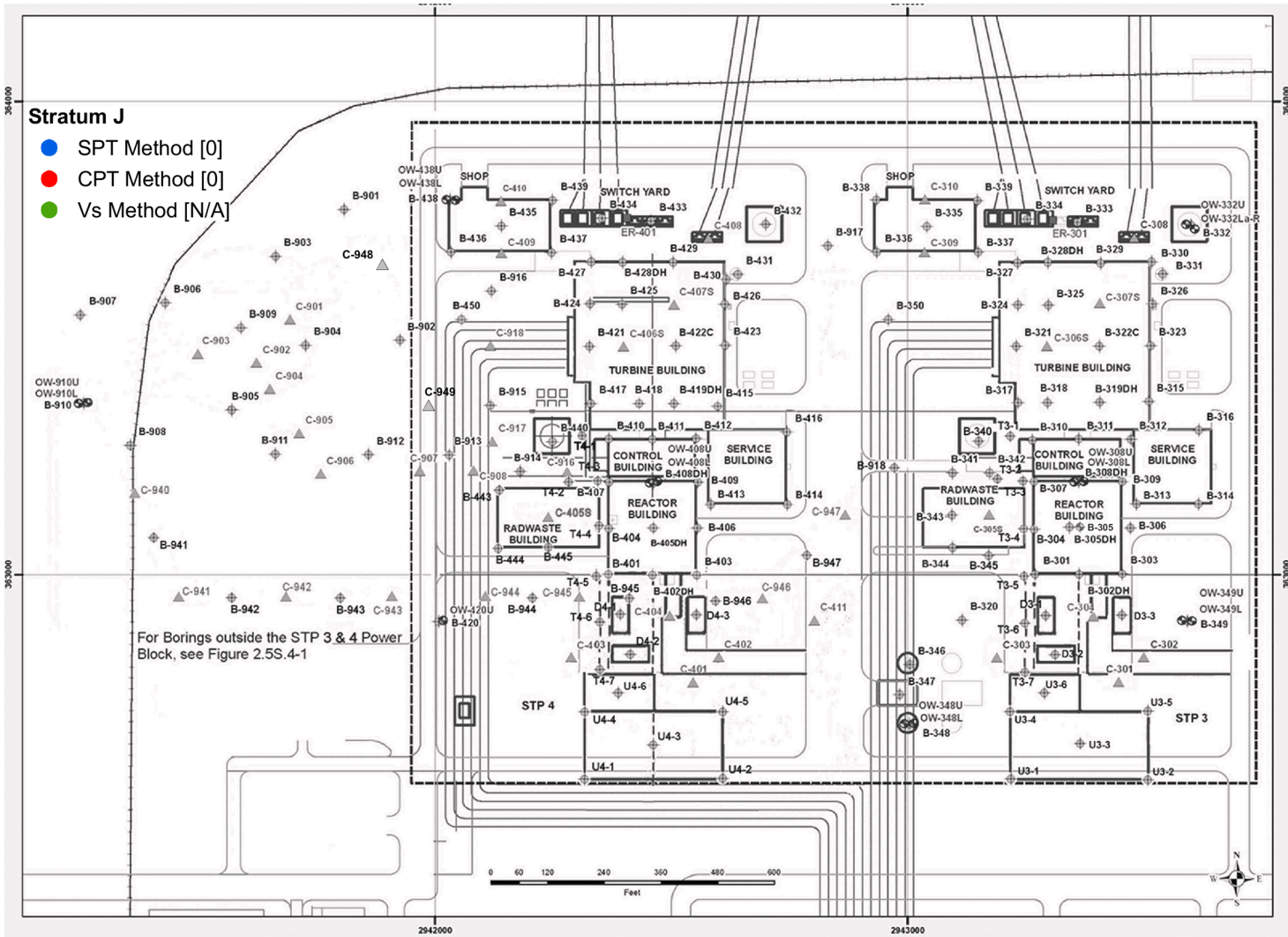


Figure 2.5S.4-79J Spatial Distribution of Low Liquefaction Factor of Safety Values, Stratum J

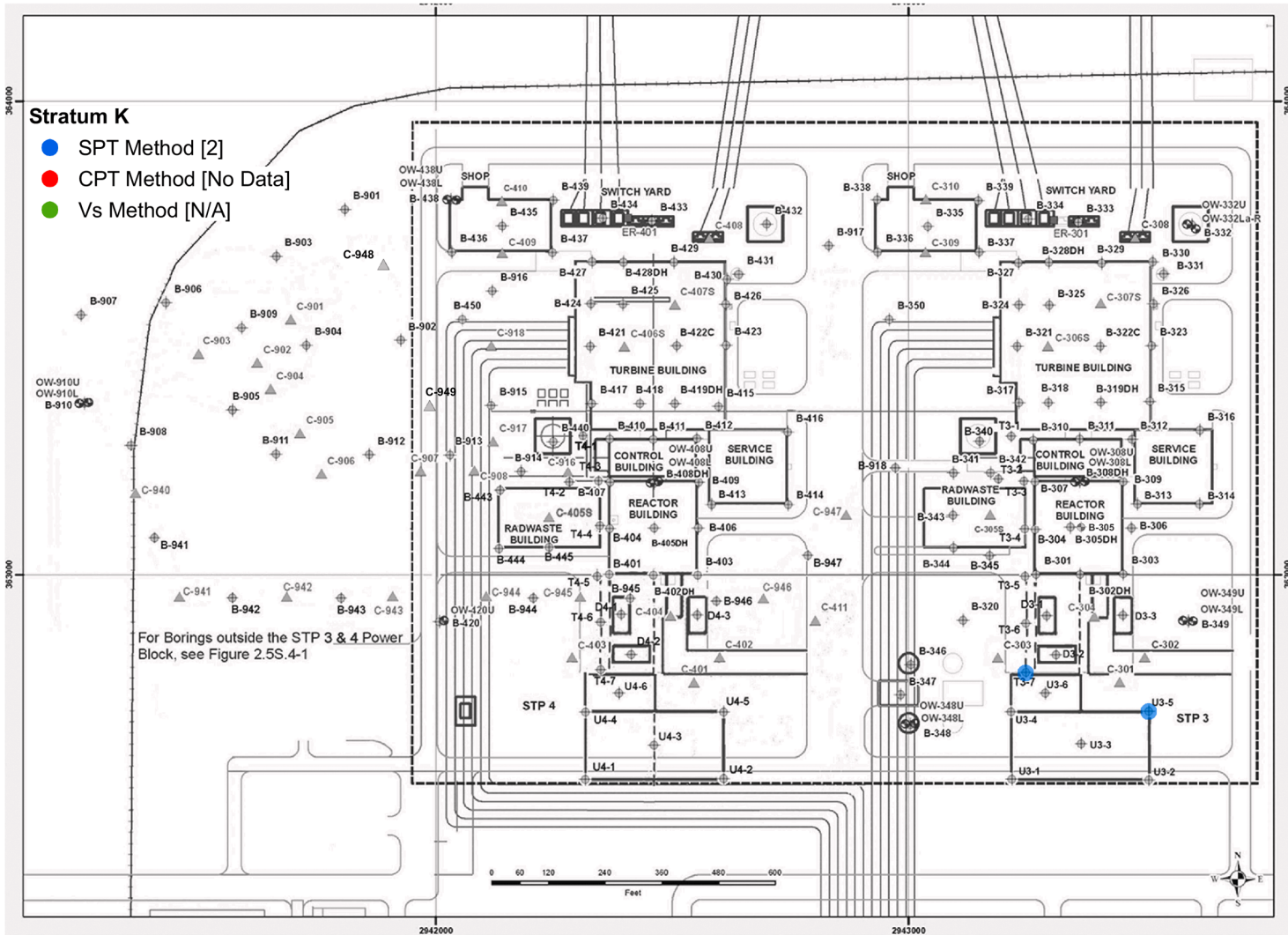


Figure 2.5S.4-79K Spatial Distribution of Low Liquefaction Factor of Safety Values, Stratum K



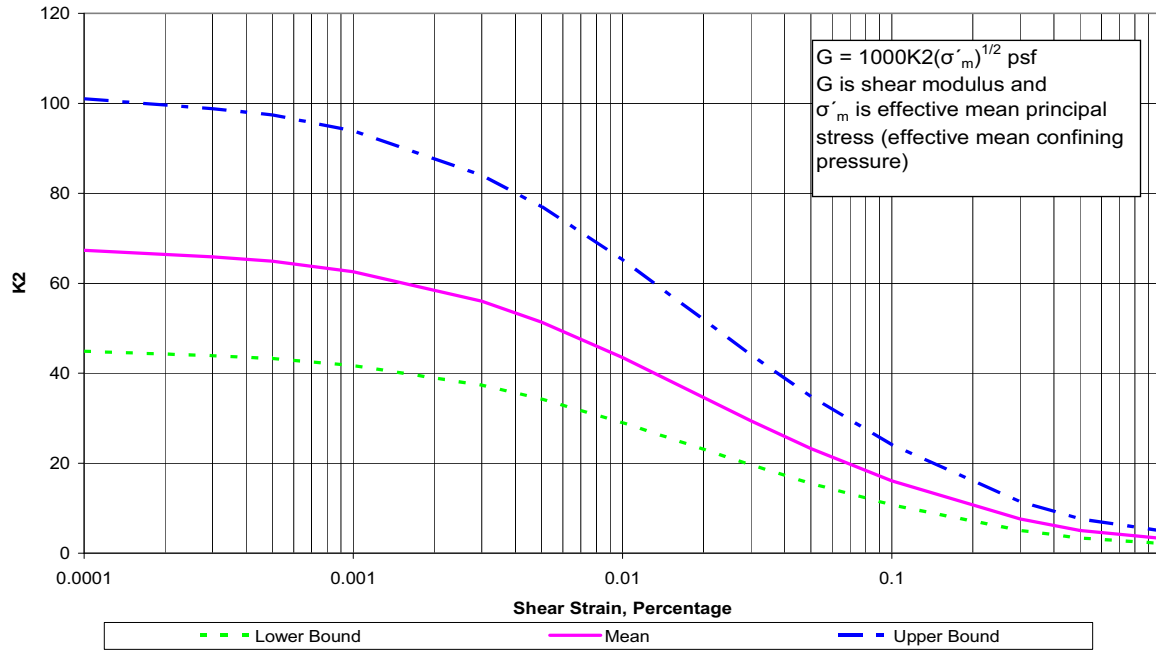


Figure 2.5S.4-80 Dynamic Engineering Parameters for Backfill (85% Relative Density) Shear Modulus Parameter, K2

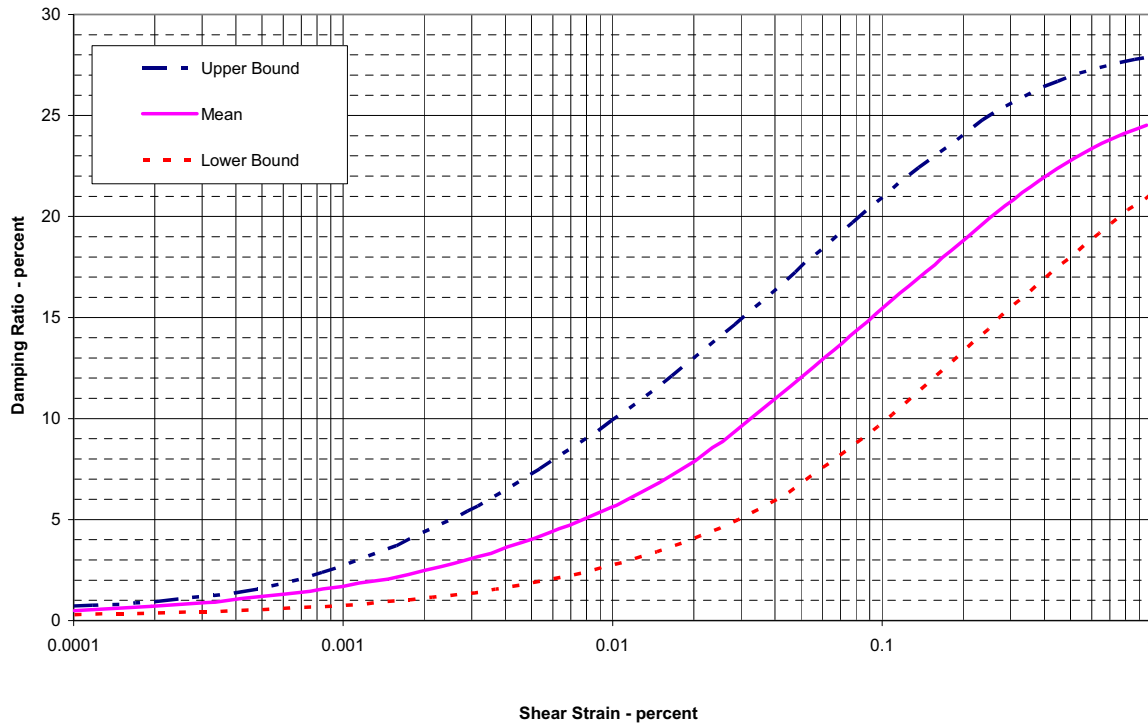


Figure 2.5S.4-81 Dynamic Engineering Parameters for Backfill (85% Relative Density) Damping Ratio