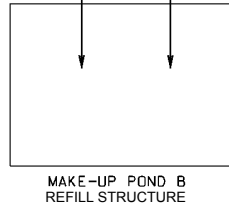
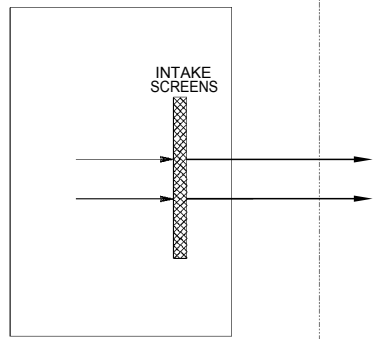


RWS REFILL SUBSYSTEM
(FIG. 9.2-206)

RWS REFILL SUBSYSTEM
(FIG. 9.2-206)

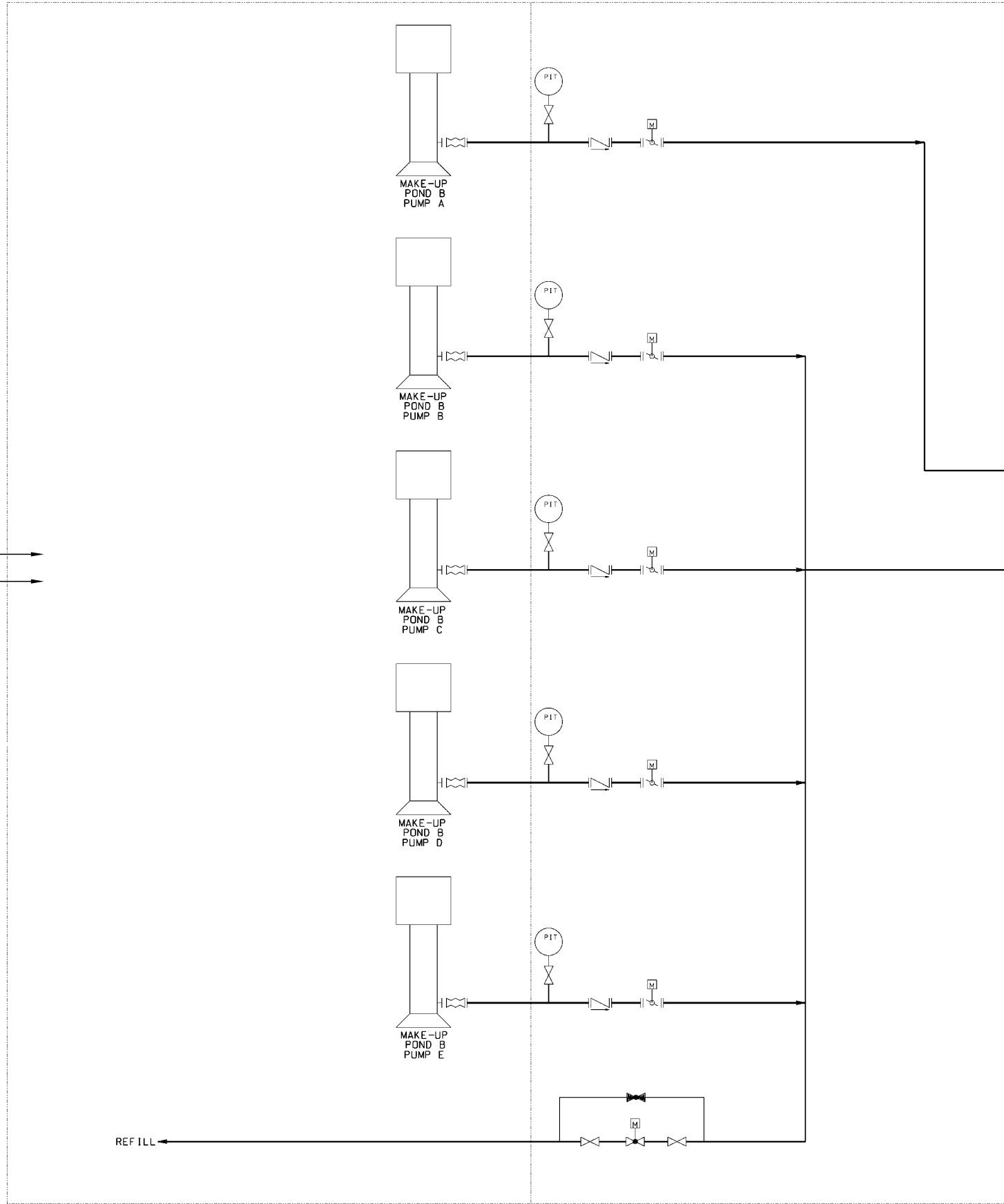


MAKE-UP POND B
REFILL STRUCTURE



MAKE-UP POND B
INTAKE STRUCTURE

WLS SUP 9.2-5



MAKE-UP POND B PUMP STRUCTURE

NOTES:

- 1. ALL MOTOR OPERATED VALVES SHALL HAVE MANUAL OPERATION HANDWHEELS.

WILLIAM STATES LEE III
NUCLEAR STATION UNITS 1 & 2

Raw Water System,
Make-Up Pond B Subsystem

FIGURE 9.2-203 Rev 5