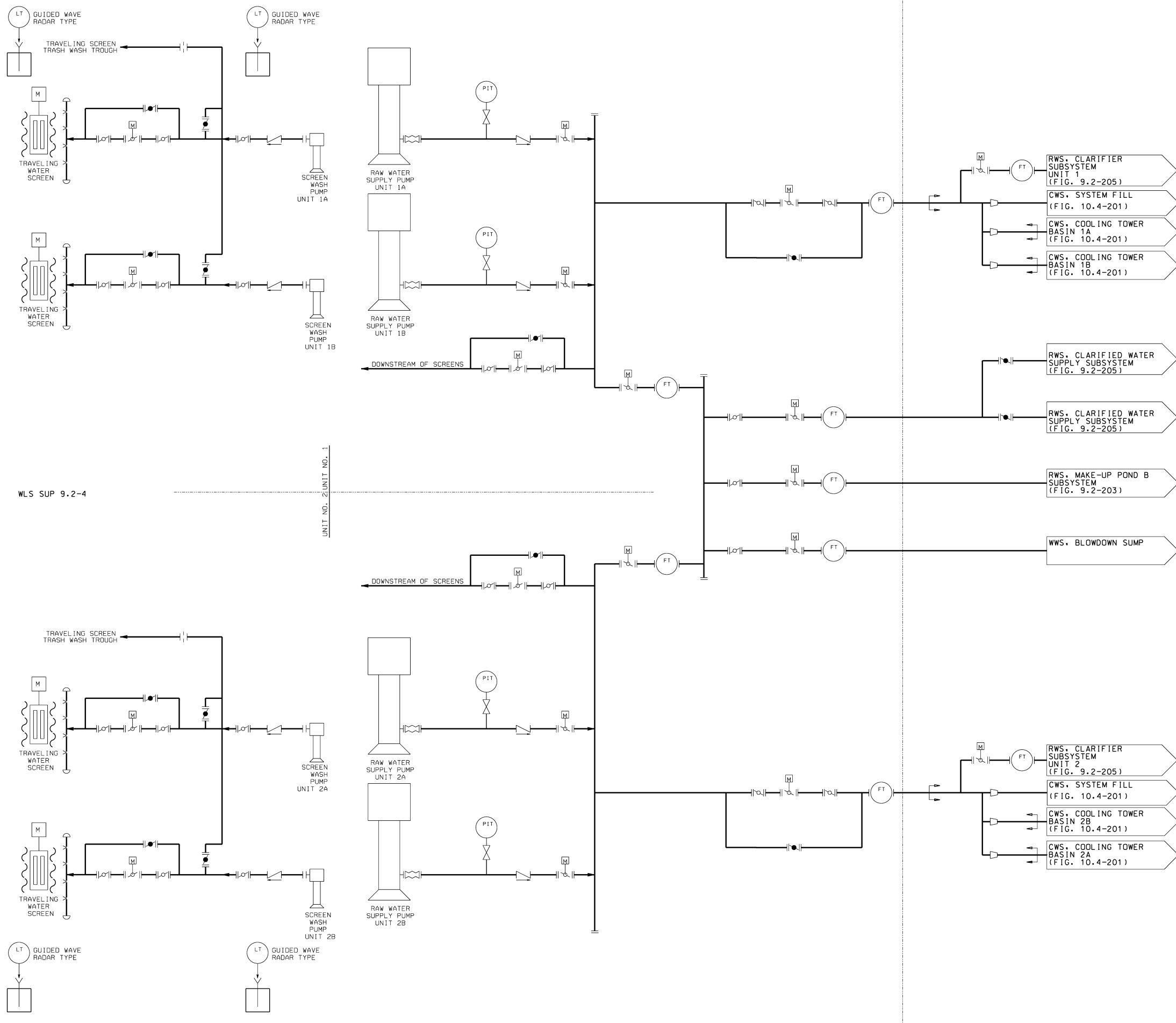


NOTES:  
 1. ALL MOTOR OPERATED VALVES SHALL HAVE MANUAL OPERATION HANDWHEELS.



**WILLIAM STATES LEE III  
 NUCLEAR STATION UNITS 1 & 2**

Raw Water System,  
 Raw Water Supply Subsystem