

Figure 6.2-1 Component Cooling Water System

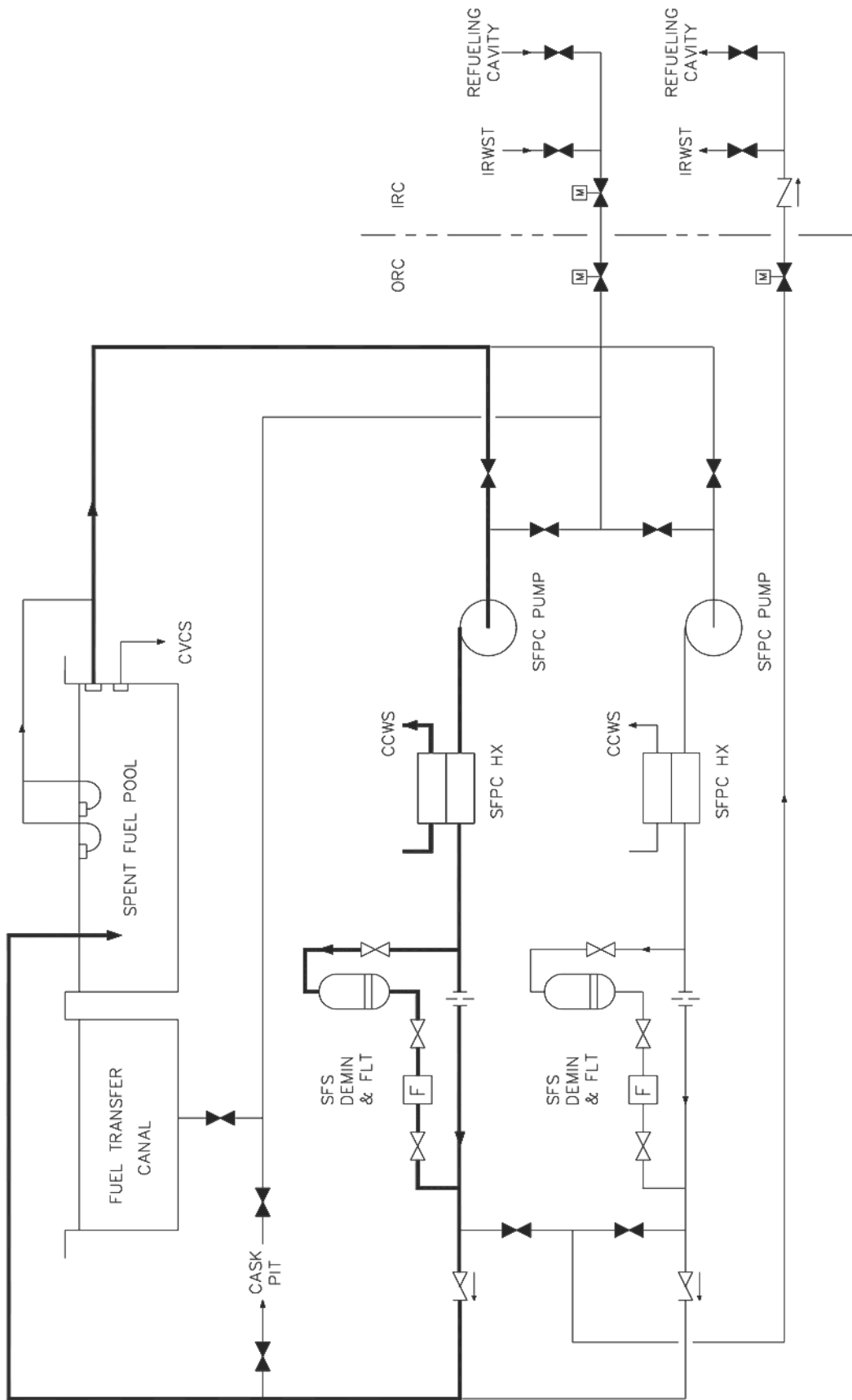


Figure 6.2-2 Spent Fuel Cooling System