

Figure 4-1 Passive Decay Heat Removal

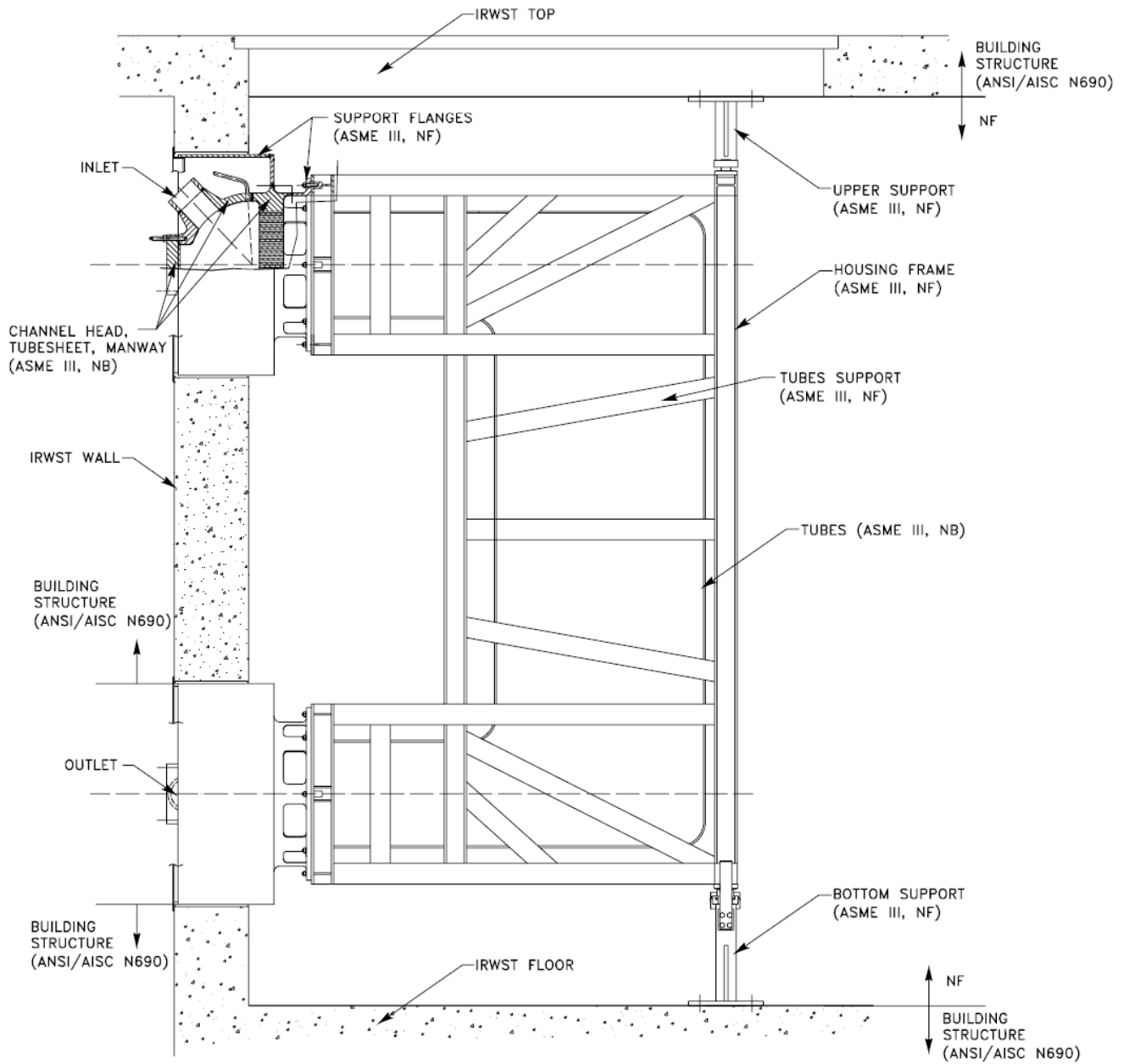


Figure 4-2 Passive Heat Removal Heat Exchanger

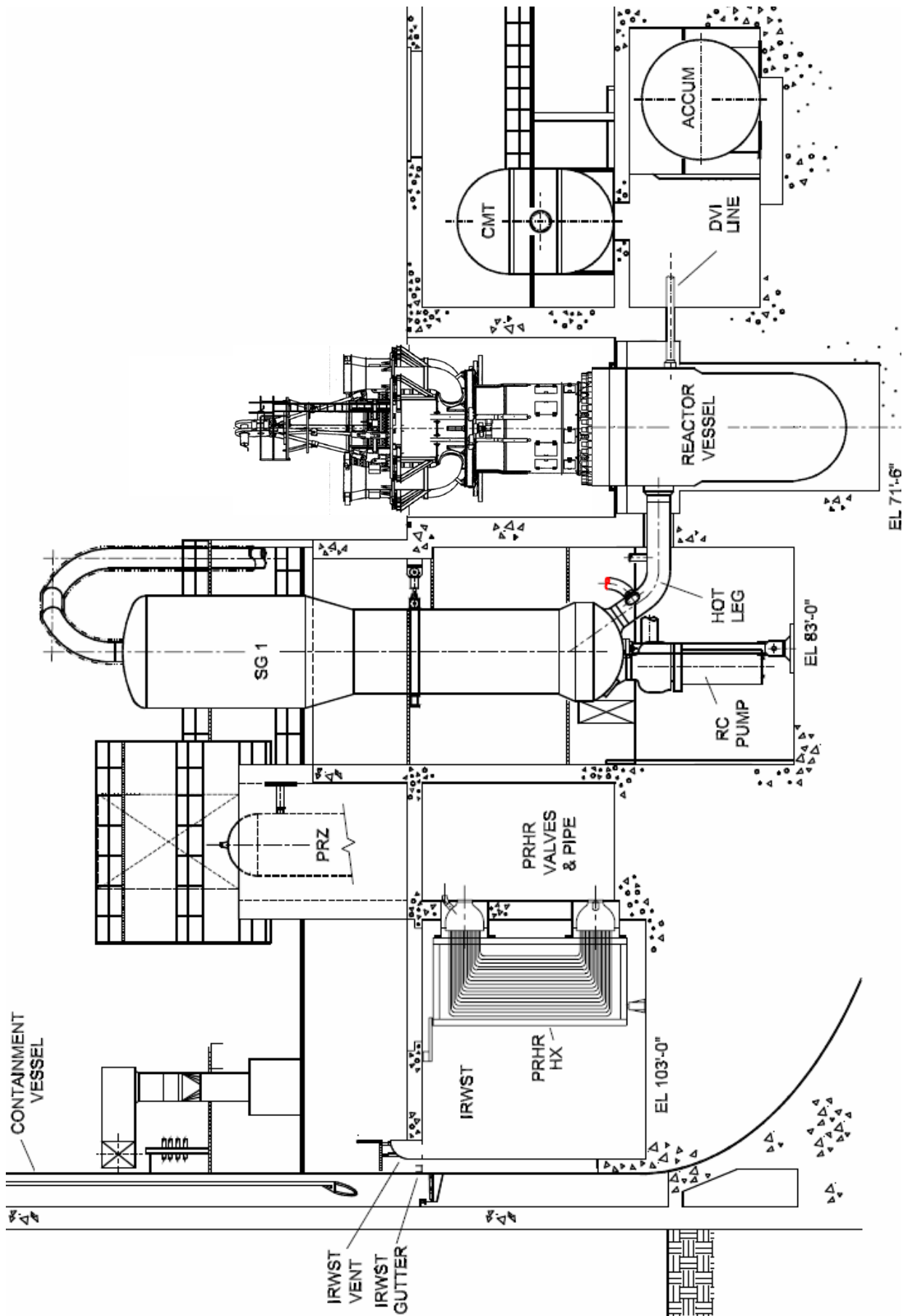


Figure 4-3 Passive Heat Removal Heat Exchanger Location

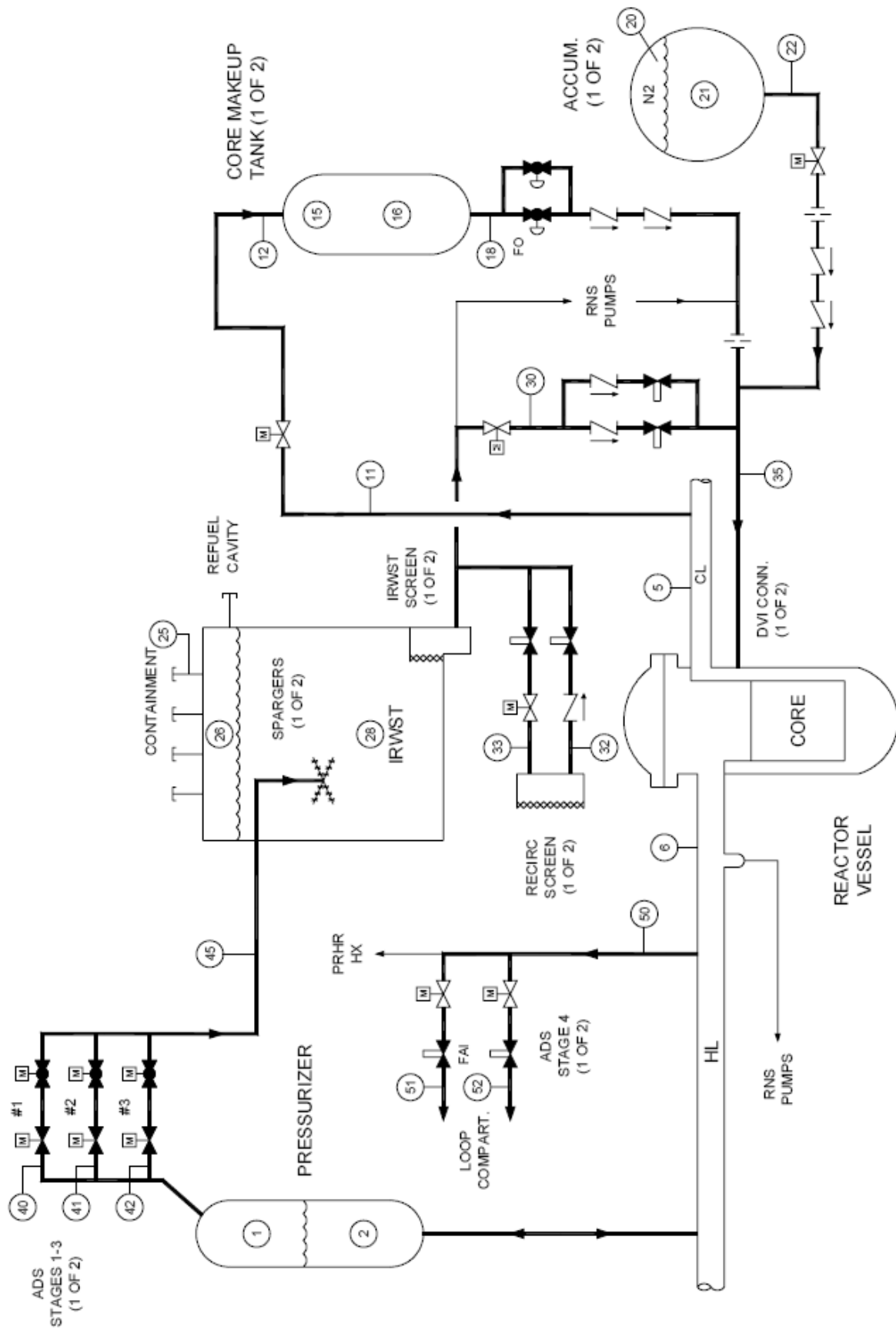


Figure 4-4 Passive Safety Injection

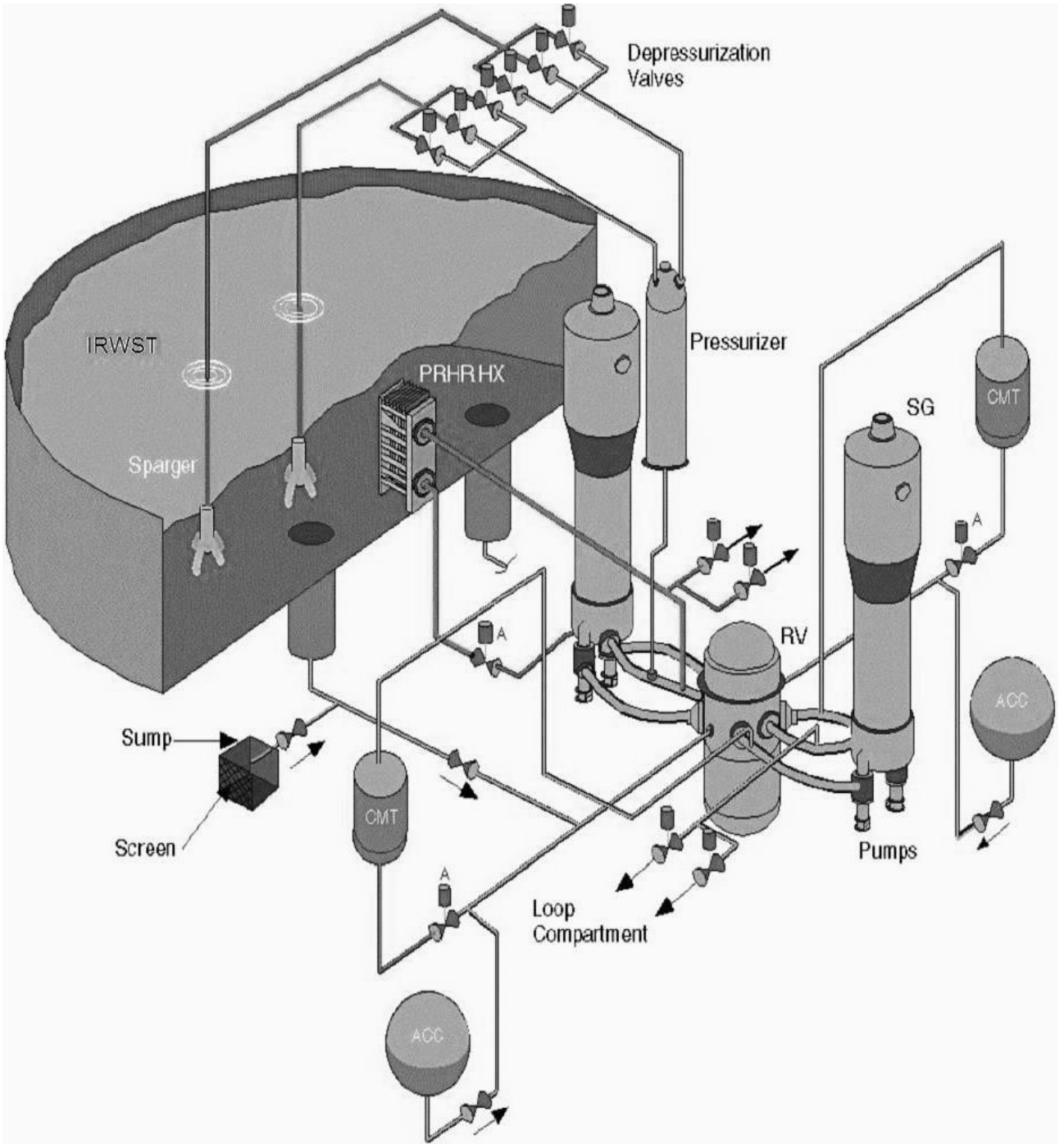


Figure 4-5 Passive Core Cooling

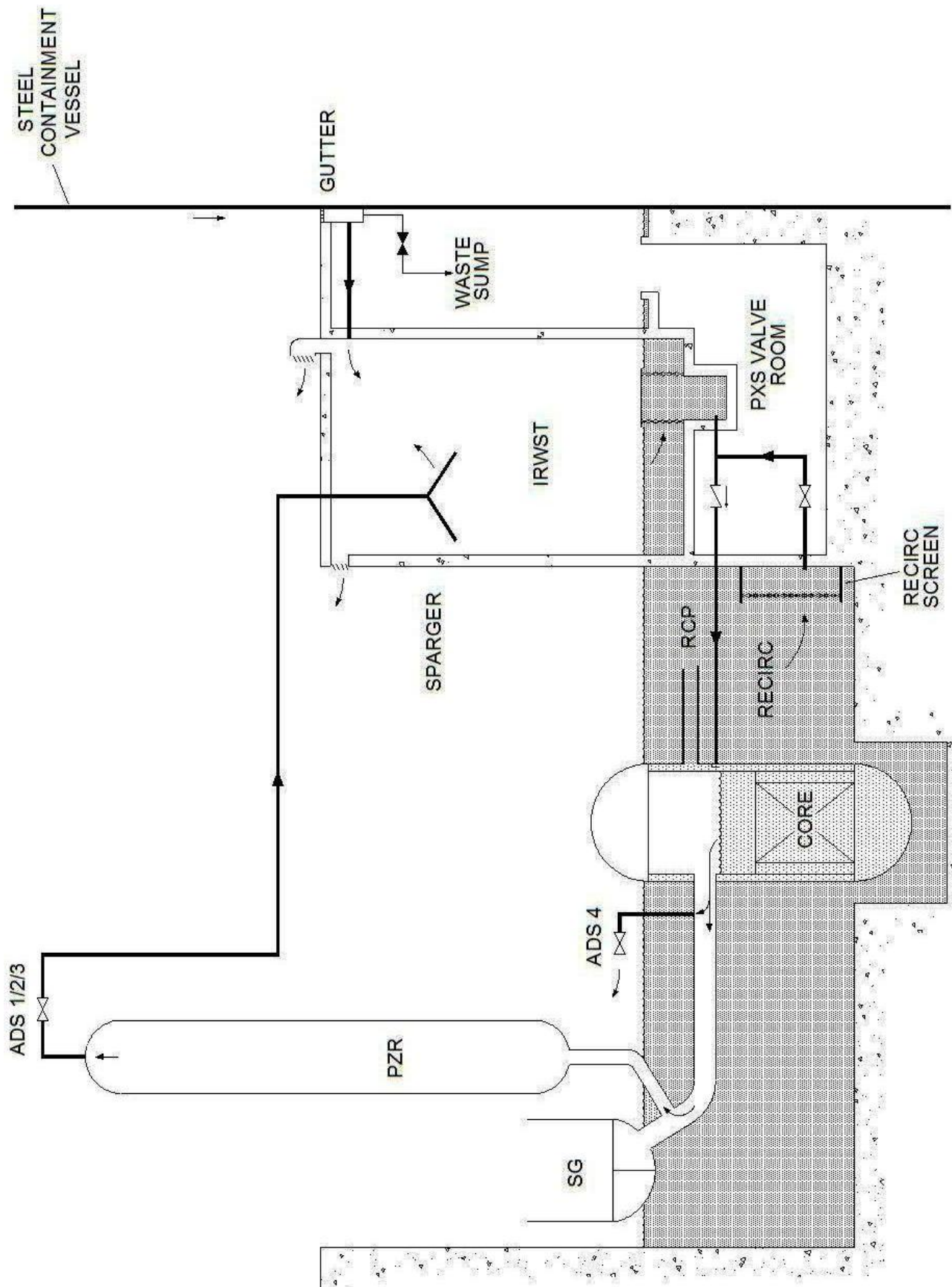


Figure 4-6 Long Term Core Cooling

CONTAINMENT  
RECIRCULATION  
SCREENS

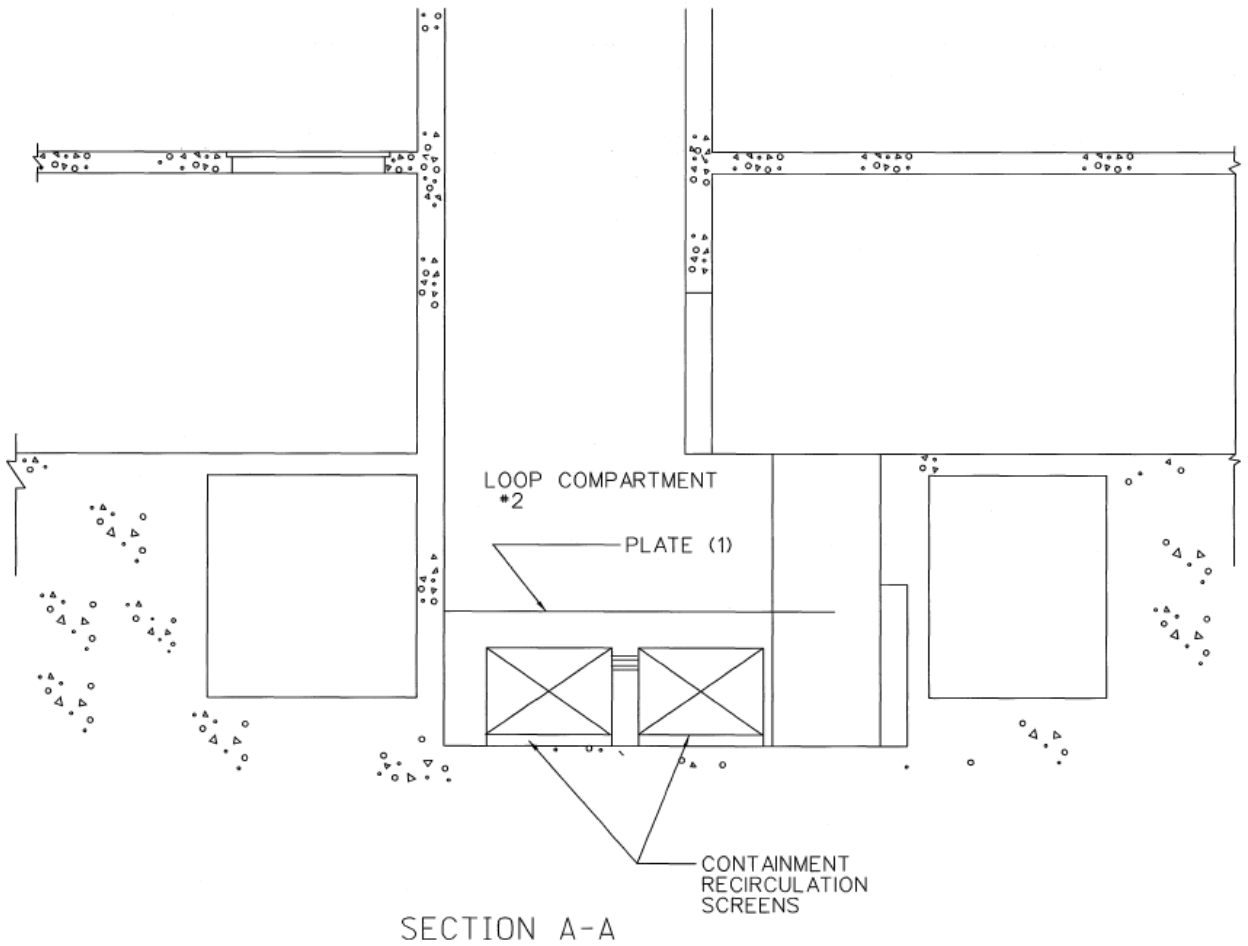
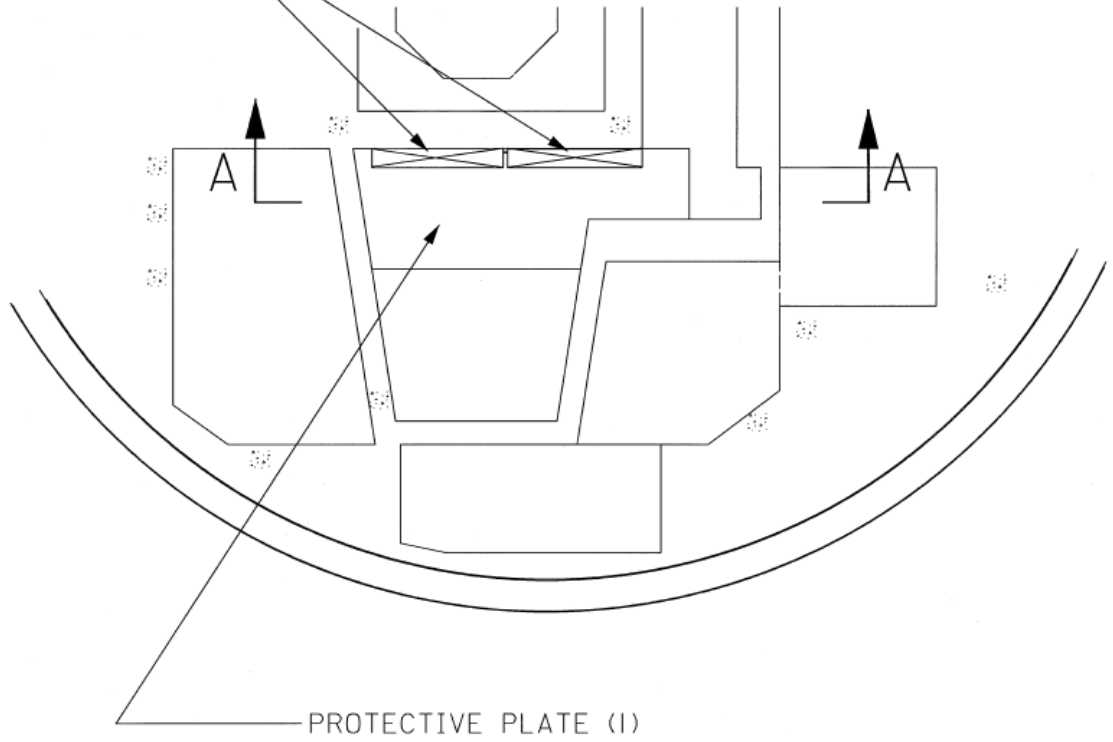


Figure 4-7 Passive Recirculation Sump