
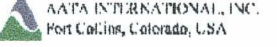


D-03


 Lost Creek SR, LLC
 Laramie, Colorado, USA


 ASTA INTERNATIONAL, INC.
 Fort Collins, Colorado, USA

Legend
 • Drill Hole
 - Fault
 - Contours, top of HJ sand; elevations in feet above msl

PLATE 2.6-4c
Structural Contour Map
HJ sand unit
 Issued For: NRC TR 1.0 Drawn By: CVH/cc
 Issued/Revised: 02.26.09/04.12.10
 Drawing No.: NRC TR1.0 PLATE2.6-4c 04.12.10

0 2000 4000
 Feet