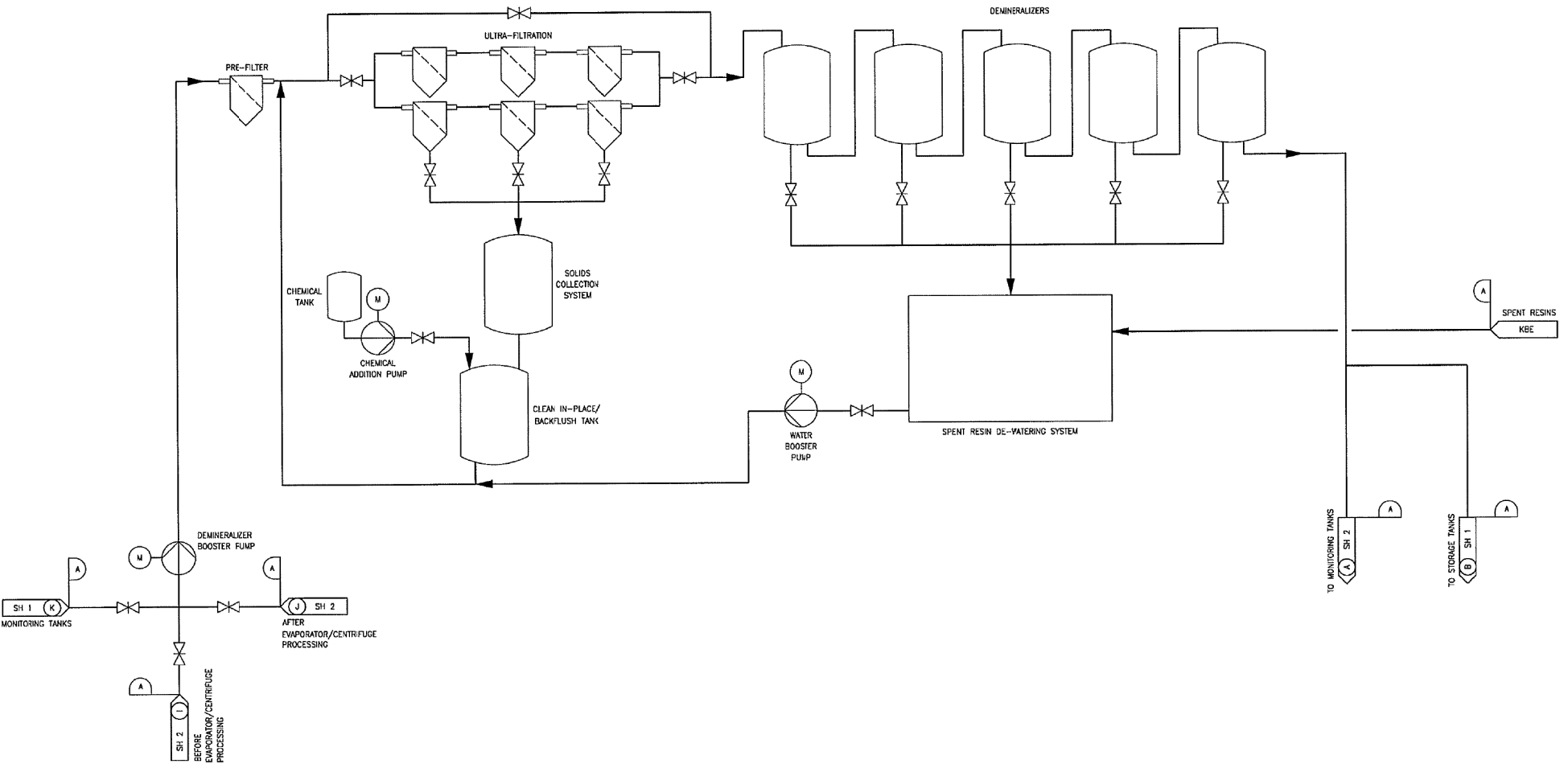


UKS

KBE - COOLANT PURIFICATION SYSTEM
 KPF - LIQUID WASTE PROCESSING SYSTEM
 UKS - RADIOACTIVE WASTE PROCESSING SYSTEM



A	D	RS
DESIGN AREA	QUALITY GROUP	SEISMIC CLASS