

NOTES:

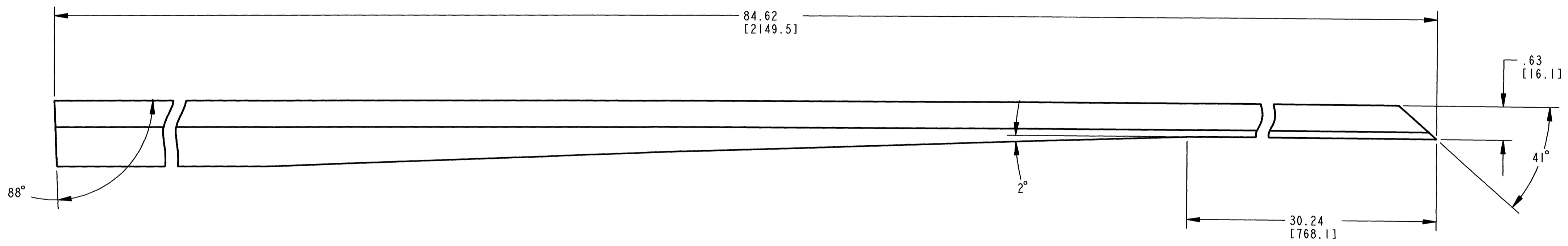
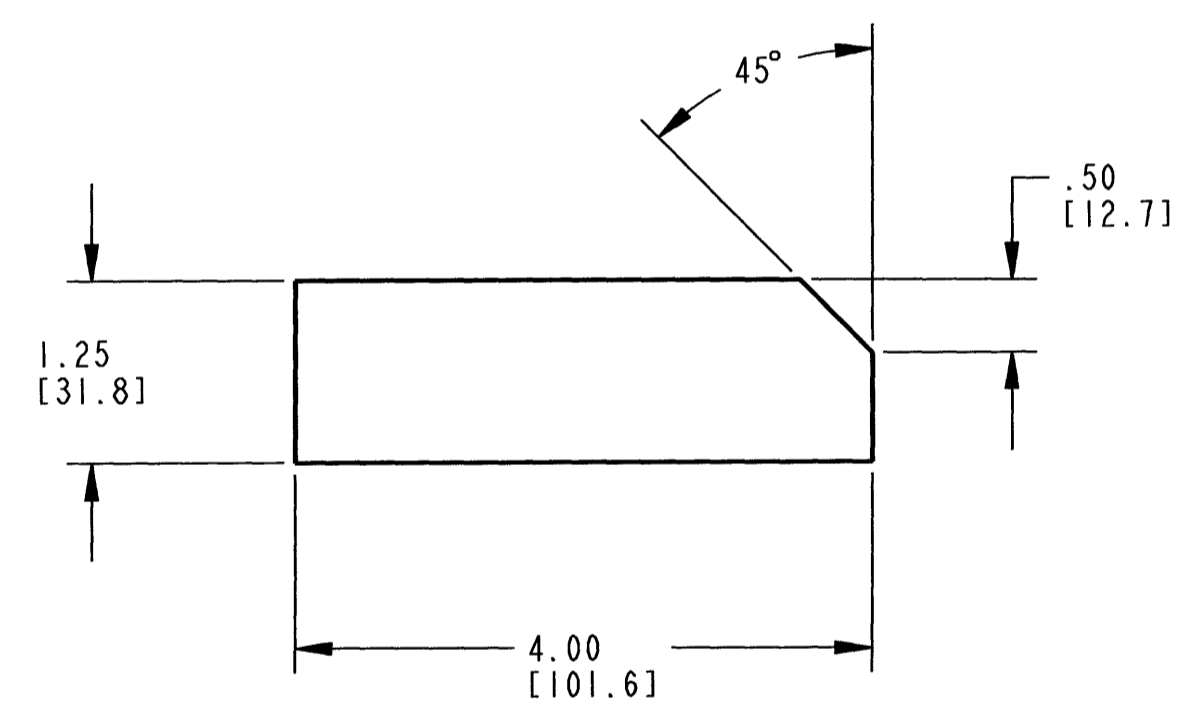
- 1. ALL DIMENSIONS ARE IN INCHES  
MILLIMETERS ARE IN BRACKETS.
- 2. ALL DIMENSIONS ARE REFERENCE ONLY.
- 3. DO NOT SCALE FROM DRAWING.
- 4. THE DRIP SHIELD IS CLASSIFIED AS IMPORTANT  
TO WASTE ISOLATION (ITWI).

DESIGN INPUT REFERENCE LIST

BASIS OF DESIGN FOR THE TAD CANISTER-BASED REPOSITORY  
DESIGN CONCEPT 000-3DR-MGR0-00300-000-000.

REFERENCE DRAWINGS

- 000-M00-SSE0-00101-000 INTERLOCKING DRIP SHIELD  
CONFIGURATION
- 000-M00-SSE0-00102-000 INTERLOCKING DRIP SHIELD  
CONFIGURATION
- 000-M00-SSE0-00103-000 INTERLOCKING DRIP SHIELD  
CONFIGURATION



MATERIAL: SB-265 (UNS R56404)  
1 REQUIRED

THIS DRAWING IS PRELIMINARY AND NOT  
INTENDED FOR CONSTRUCTION, PROCUREMENT  
OR FABRICATION.

ODD	EXTENSIVE REVISION - CHANGED MATERIAL FROM SB-265 (UNS R56405) TO SB-265 (UNS R56404) PER TMRB-2006-004. REMOVED MATERIAL TO ELIMINATE INTERFERENCE WITH EXTERNAL SUPPORT PLATE. REVISED NOTE 4. ADDED DESIGN INPUT REFERENCE LIST. ADDED REFERENCE DRAWINGS.	4/23/07																		
ODA	INITIAL ISSUE	3/4/04	ZC	AS	AS	CC	N/A	JC												
REV	DESCRIPTION	DATE	ENG	CHE	EGS	FE	DEM	QE												
REVISION HISTORY																				
APPROVALS		INITIAL/DATE		<b>U.S. DEPARTMENT OF ENERGY</b> <b>Office of Civilian Radioactive Waste Management</b> <b>BECHTEL</b> Management and Operation of the Office of <b>SAIC</b> Civilian Radioactive Waste Management Program																
ORIGINATOR	Z. CETLAN	ZC	3/4/04	<b>DRIP SHIELD CONNECTOR</b> <b>LEFT SUPPORT BEAM</b>																
CHECKER	A. SCHEIDER	AS	3/4/04																	
ENGINEERING GROUP SUPERVISOR	A. SCHEIDER	AS	3/4/04																	
PROJECT ENGINEER	C. CHAGNON	CC	3/4/04																	
DISCIPLINE ENGINEERING MANAGER	N/A	N/A																		
SAFETY CLASSIFICATION		DOCUMENT IDENTIFIER:		AS NOTED 000-M00-SSE0-02501-000																
DE CONCURRENCE	J. CLARK	JC	3/4/04	SIZE	SCALE	CAD FILE	REV	D NONE 000-M00-SSE0-02501-000.DRW 00B												