

NOTES:

1. ALL DIMENSIONS ARE IN INCHES
MILLIMETERS ARE IN BRACKETS.
2. ALL DIMENSIONS ARE REFERENCE ONLY.
3. DO NOT SCALE FROM DRAWING.
4. THE DRIP SHIELD IS CLASSIFIED AS IMPORTANT
TO WASTE ISOLATION (ITWI).

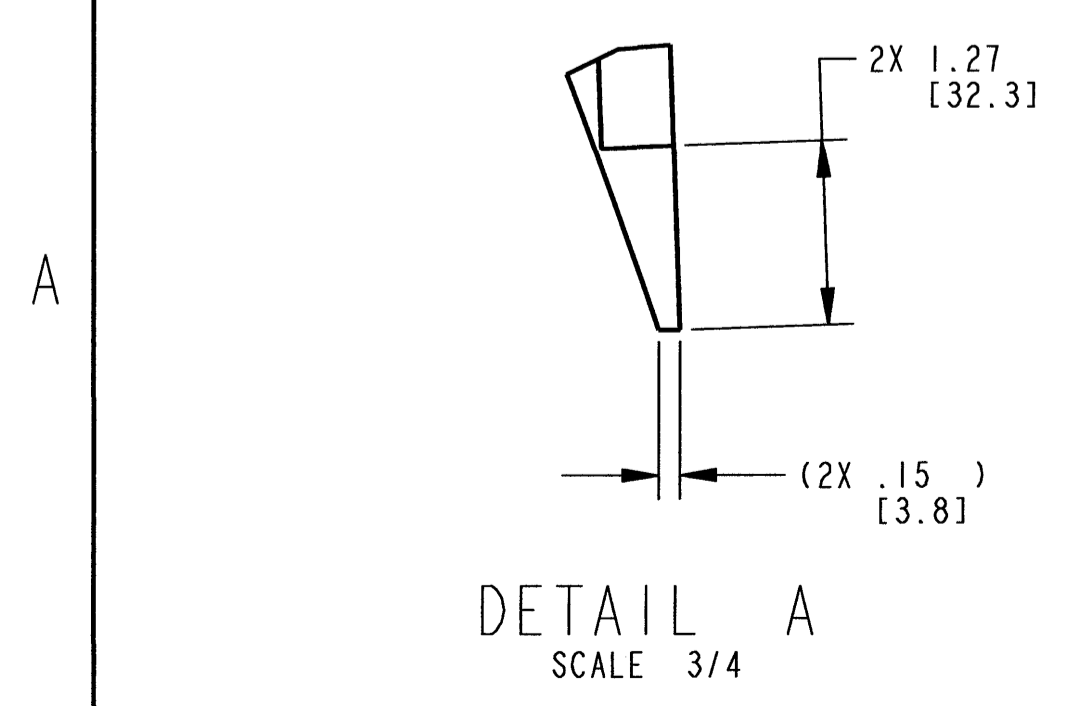
DESIGN INPUT REFERENCE LIST

BASIS OF DESIGN FOR THE TAD CANISTER-BASED REPOSITORY
DESIGN CONCEPT 000-3DR-MGR0-00300-000-000.

REFERENCE DRAWINGS

- 000-M00-SSE0-00101-000 INTERLOCKING DRIP SHIELD CONFIGURATION
- 000-M00-SSE0-00102-000 INTERLOCKING DRIP SHIELD CONFIGURATION
- 000-M00-SSE0-00103-000 INTERLOCKING DRIP SHIELD CONFIGURATION

MATERIAL: SB-265 (UNS R56404)
2 REQUIRED



THIS DRAWING IS PRELIMINARY AND NOT
INTENDED FOR CONSTRUCTION, PROCUREMENT
OR FABRICATION.

00B	EXTENSIVE REVISION - CHANGED MATERIAL FROM SB-265 (UNS R56405) TO SB-265 (UNS R56404) PER TMB-2006-004. UPDATED DIMENSIONS TO CONFORM WITH CURRENT DRAFTING STANDARDS. REMOVED EXTRA DIMENSIONS. REVISED NOTE 4. ADDED DESIGN INPUT REFERENCE LIST. ADDED REFERENCE DRAWINGS.	4/23/07	ES	AS	CC	N/A	JH
00A	INITIAL ISSUE	3/4/04	ZC	BW	AS	CC	N/A
REV	DESCRIPTION	DATE	ORD	CHK	ESS	PE	DEM
REVISION HISTORY							
ORIGINATOR	ZC	3/4/04	U.S. DEPARTMENT OF ENERGY Office of Civilian Radioactive Waste Management BECHTEL Management and Operation of the Office of SAIC CIVILIAN RADIOACTIVE WASTE MANAGEMENT PROGRAM				
CHECKER	BW	3/4/04					
ENGINEERING GROUP SUPERVISOR	AS	3/4/04					
PROJECT ENGINEER	CC	3/4/04					
DISCIPLINE ENGINEERING MANAGER	N/A	N/A					
SAFETY CLASSIFICATION	AS NOTED	DOCUMENT IDENTIFIER:	000-M00-SSE0-01201-000				
GE CONCURRENCE	JH	3/4/04	SIZE	SCALE	CAD FILE	REV	
			D	NONE	000-M00-SSE0-01201-000.DRW	00B	