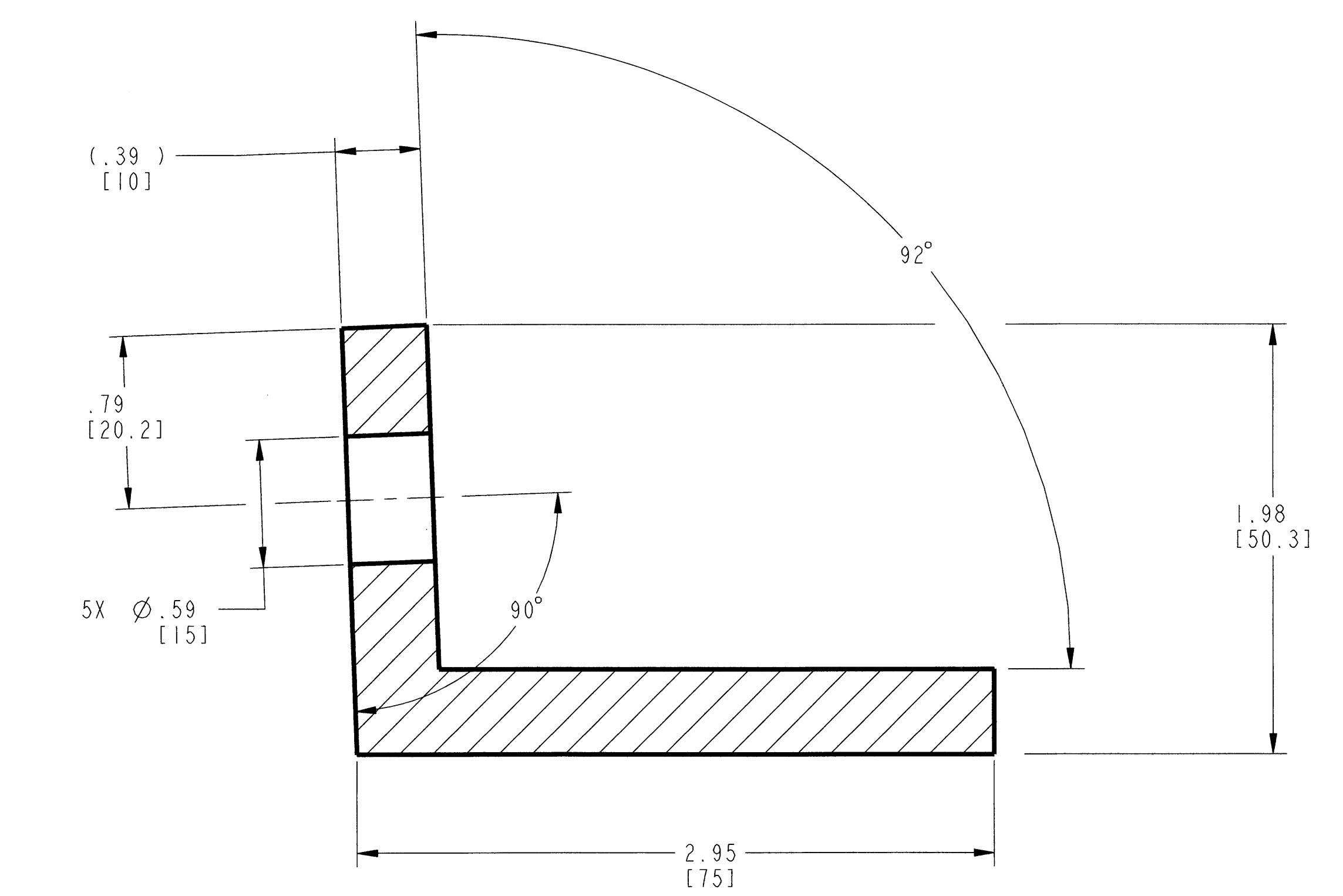
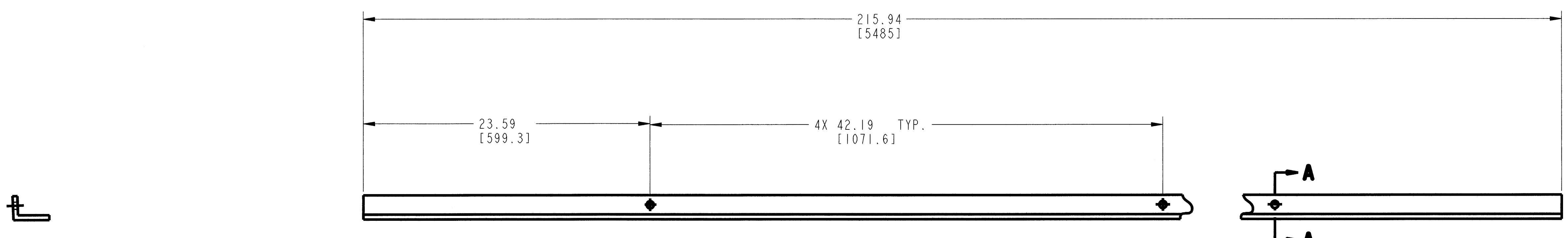


NAME:GOODSELLG OBJECT:DS-BASE DATE:03-Mar-04 10:05:41



MATERIAL: SB-575 N06022
 2 REQUIRED

SECTION A-A

- NOTES:
1. ALL DIMENSIONS ARE IN INCHES
 MILLIMETERS ARE IN BRACKETS.
 2. ALL DIMENSIONS ARE REFERENCE ONLY.
 3. DO NOT SCALE FROM DRAWING.
 4. THE DRIP SHIELD IS CLASSIFIED AS
 A SAFETY CATEGORY ITEM SUBJECT TO
 THE REQUIREMENTS OF THE GARD.

THIS DRAWING IS PRELIMINARY AND NOT
 INTENDED FOR CONSTRUCTION, PROCUREMENT
 OR FABRICATION.

DESIGN INPUTS
 SEE DOCUMENT INPUT
 REFERENCE SYSTEM (DIRS)

APPROVALS										U.S. DEPARTMENT OF ENERGY Yucca Mountain Site Characterization Project BECHTEL Civilian Radioactive Waste Management System SAIC MANAGEMENT & OPERATING CONTRACTOR	
DESIGNED	3/10/04	GC	WLD	N/A	AKS	RL	PE	G. GOODSSELL 3/3/04 Z. CEYLAN 3/3/04 M. LEWIS 3/10/04 N/A A. SCHEIDER 3/10/04 J. HEANEY 3/10/04 C. CHAGNON 3/10/04	DESIGN AND ENGINEERING DRIP SHIELD BASE	SIZE: D SCALE: NONE DOCUMENT IDENTIFIER: 000-M00-SSE0-00801-000-00A SAFETY CATEGORY: AS NOTED CAP FILE: DS BASE. DWG SHEET: 1 OF 1	
00A	INITIAL ISSUE	3/10/04	GC	WLD	N/A	AKS	RL	PE	PROJECT ENGINEER C. CHAGNON FOX	RECORD DESIGNATOR: QA:QA	