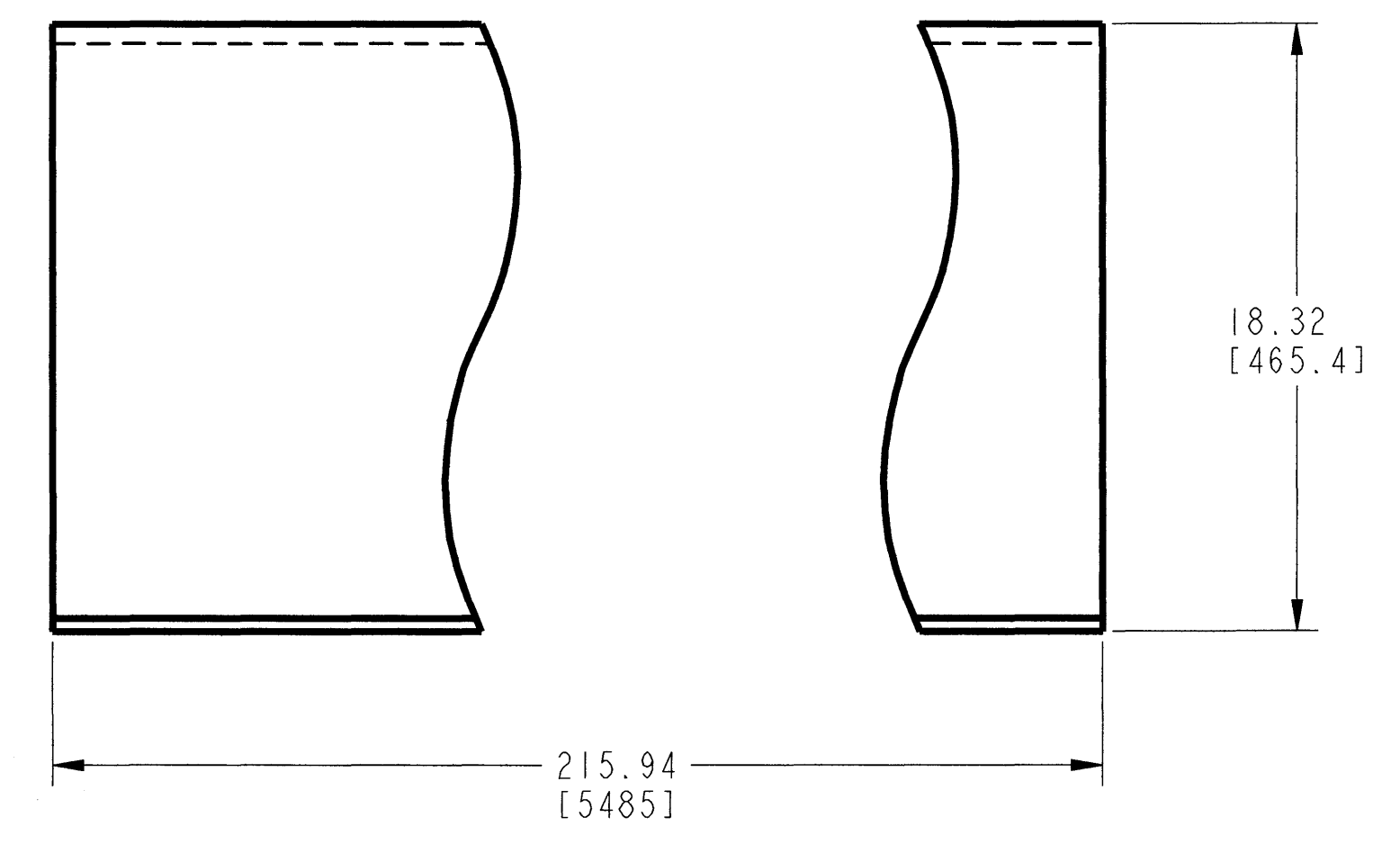
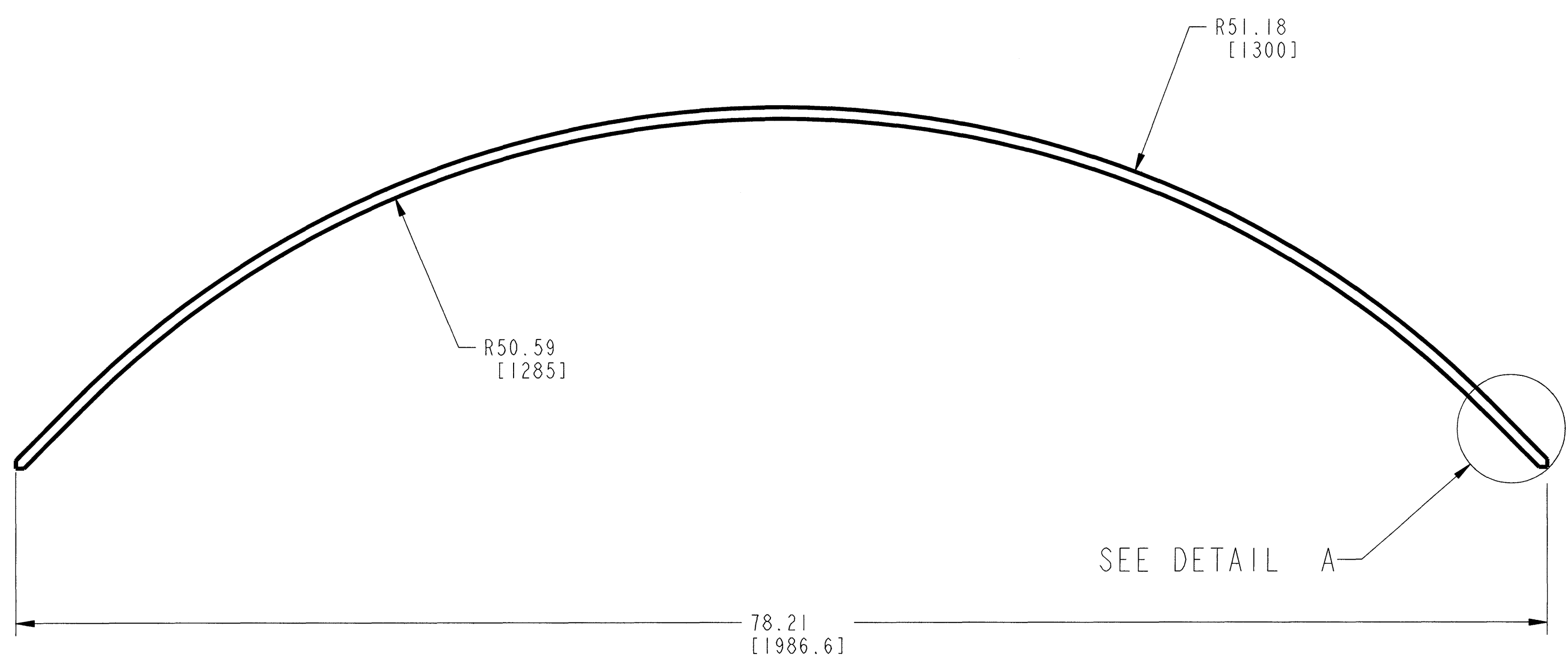
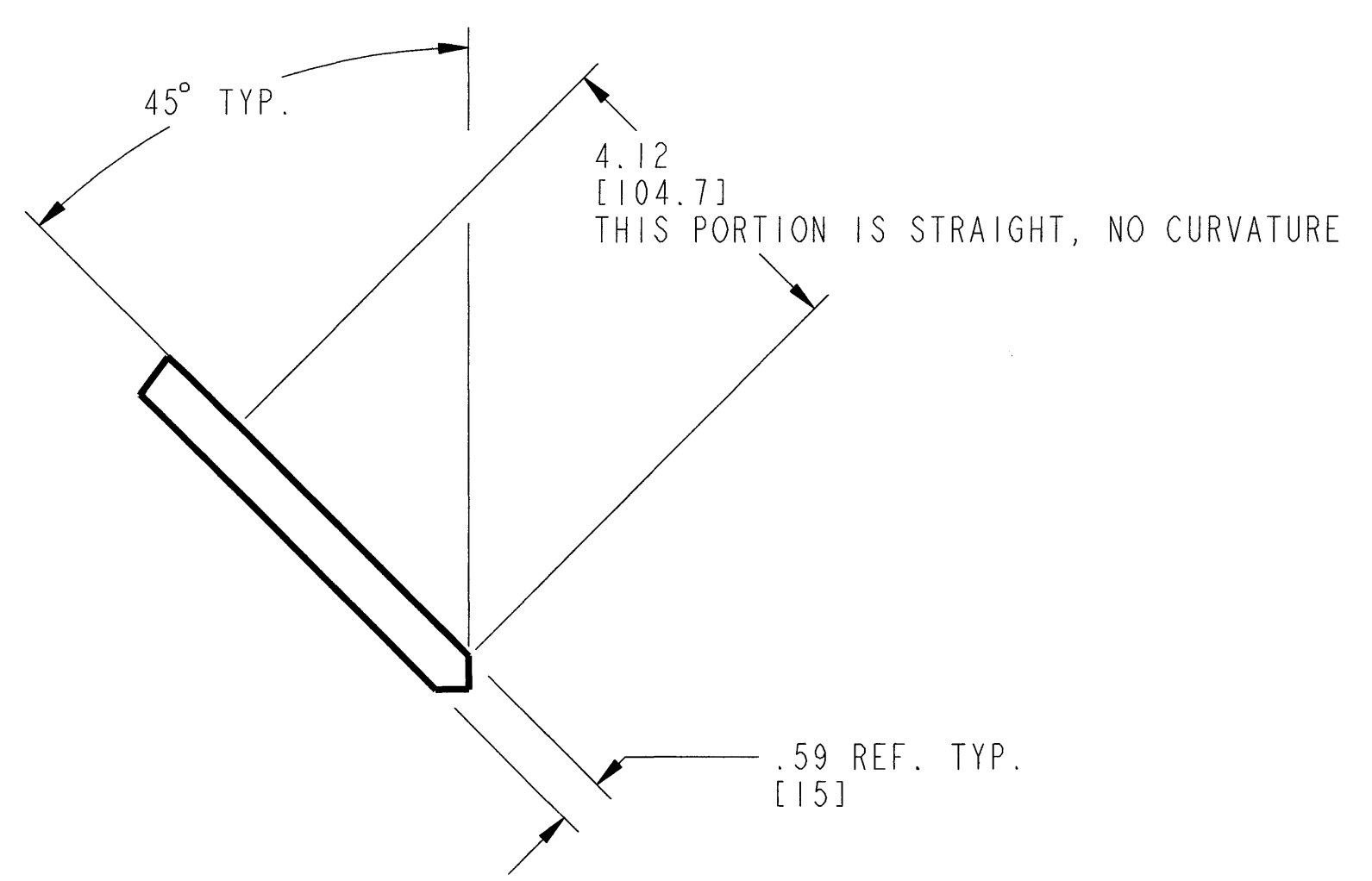


NAME:GOODSELLG OBJECT:DS-PLATE-1 DATE:03-Mar-04 10:45:52



MATERIAL: SB-265 R52400  
1 REQUIRED



- NOTES:
1. ALL DIMENSIONS ARE IN INCHES MILLIMETERS ARE IN BRACKETS.
  2. ALL DIMENSIONS ARE REFERENCE ONLY.
  3. DO NOT SCALE FROM DRAWING.
  4. THE DRIP SHIELD IS CLASSIFIED AS A SAFETY CATEGORY ITEM SUBJECT TO THE REQUIREMENTS OF THE GARD.

THIS DRAWING IS PRELIMINARY AND NOT INTENDED FOR CONSTRUCTION, PROCUREMENT OR FABRICATION. DESIGN INPUTS SEE DOCUMENT INPUT REFERENCE SYSTEM (DIRS)

APPROVALS										INITIAL/DATE	U.S. DEPARTMENT OF ENERGY Yucca Mountain Site Characterization Project		
DRAWN										G. GOODSELL	3-3-04	BECHTEL	
ORIGINATOR										Z. CEYLAN	Z.C.	SAIC	
CHECKED										M. LEWIS	3/3/04	CIVILIAN RADIOACTIVE WASTE MANAGEMENT SYSTEM MANAGEMENT & OPERATING CONTRACTOR	
VERIFICATION										N/A			
DESIGN LEAD ENGINEER										A. SCHEIDER	3/3/04	DESIGN AND ENGINEERING	
QUALITY ENGINEERING REP										J. HEANEY	3/3/04	DRIP SHIELD PLATE-1	
PROJECT ENGINEER										C. CHAGNON	3/4/04	DESIGN IDENTIFIER: 000-M00-SSE0-00601-000-00A	
REV	DESCRIPTION	DATE	DM	ORG	CHK	VER	EDS	DER	PE	SAFETY CATEGORY	SCALE	CAD FILE	SHEET
00A	INITIAL ISSUE	3/4/04								AS NOTED	NONE	DS PLATE-1.DWG	1 OF 1