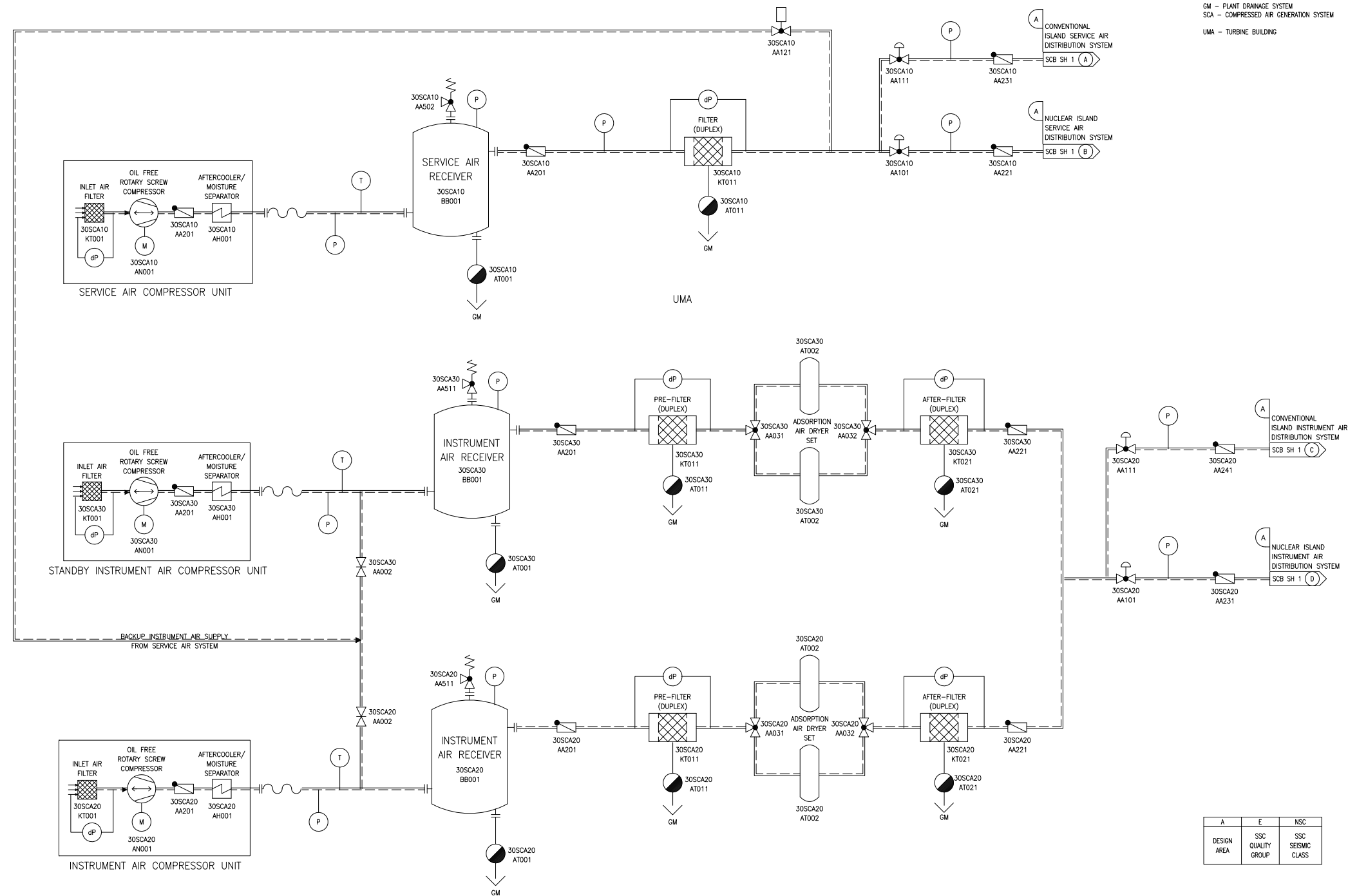
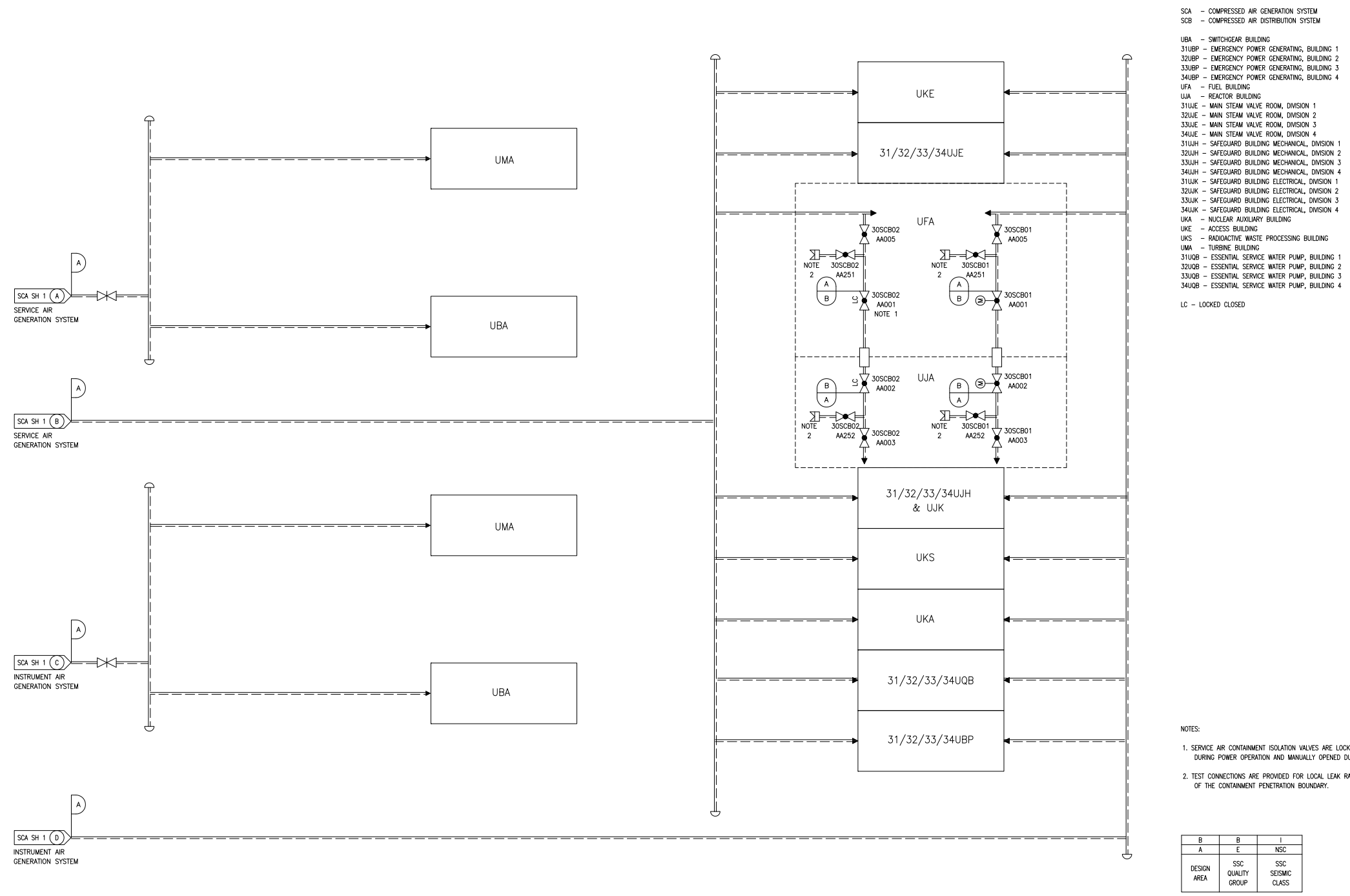


Figure 9.3.1-1—Compressed Air Generation System



REV 001
SCA01T2

Figure 9.3.1-2—Compressed Air Distribution System



REV 001
SCB01T2