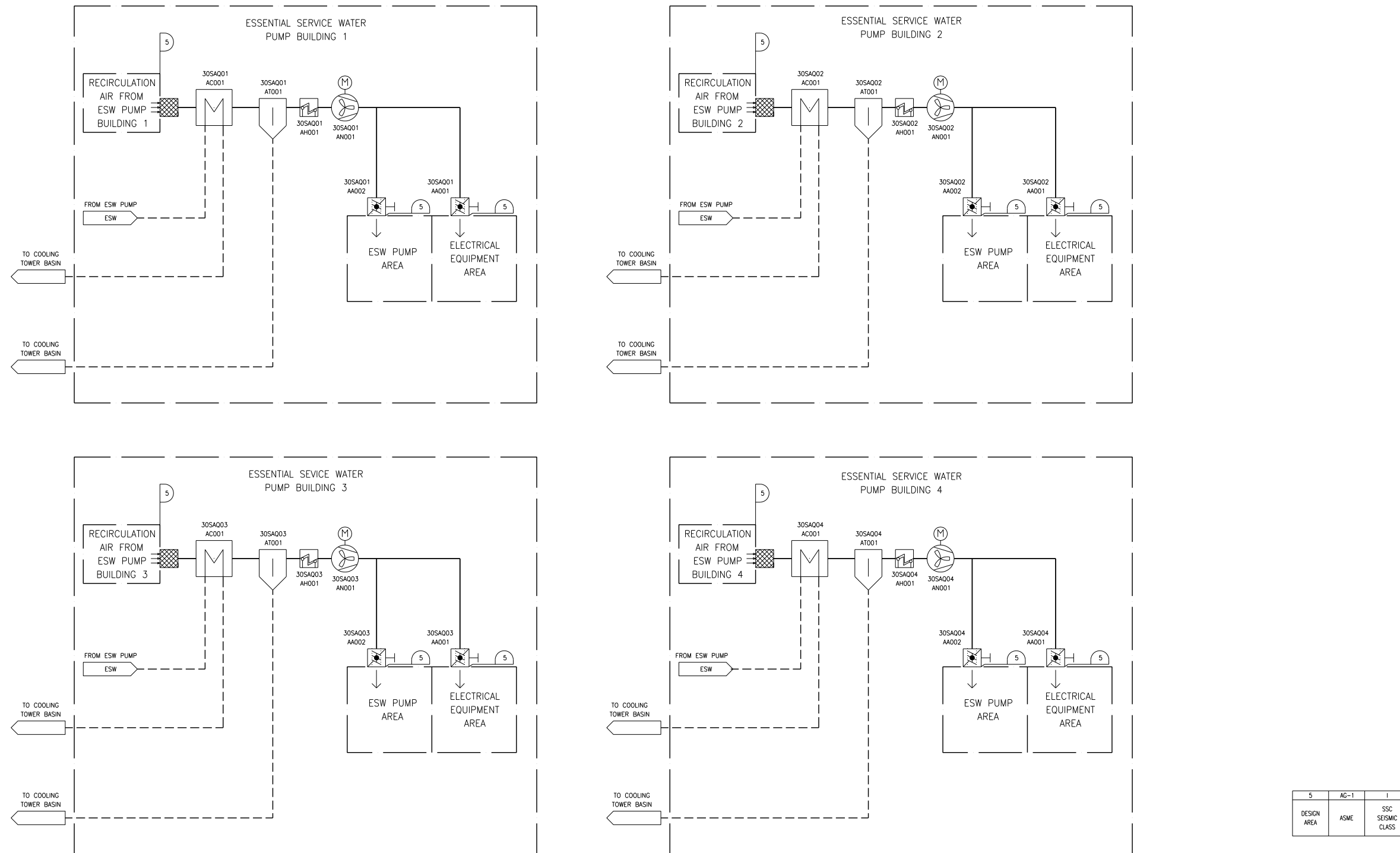


Figure 2.6.13-5—Essential Service Water Pump Building Ventilation System Functional Arrangement



SAQ01T1