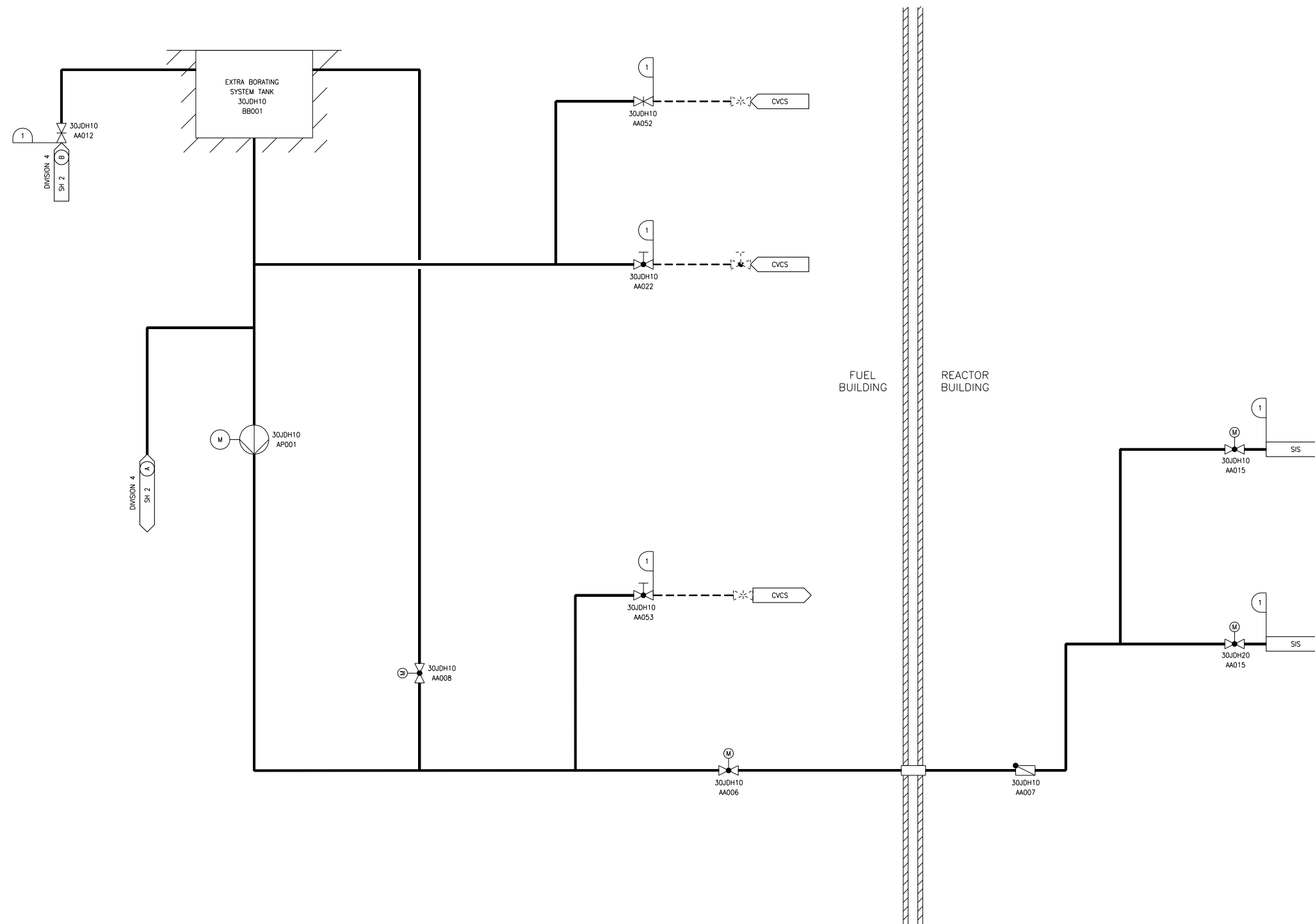


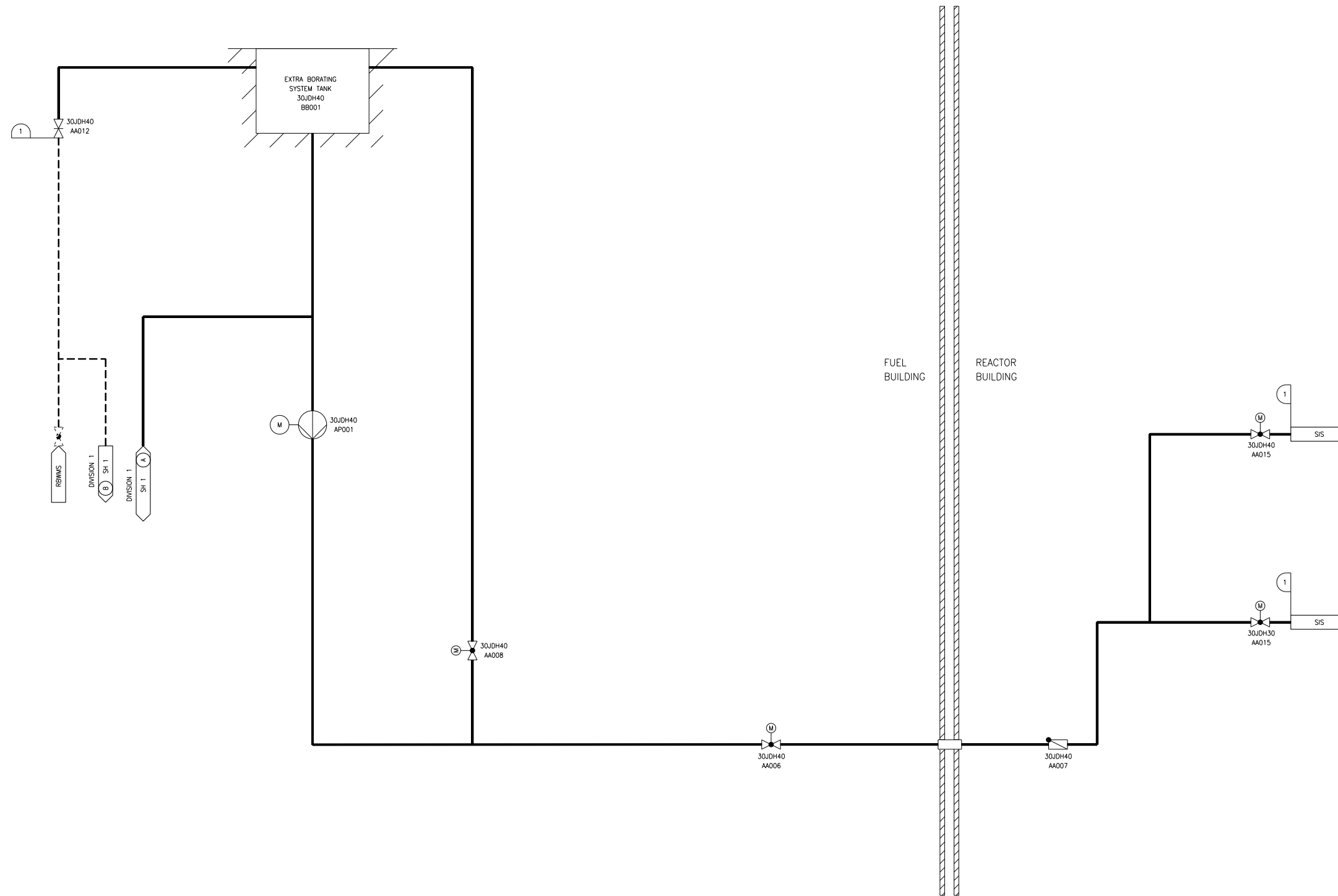
Figure 2.2.7-1—Extra Borating System Functional Arrangement  
Sheet 1 of 2



I	III	I
DESIGN AREA	ASME	SSC SEISMIC CLASS

JDHO1T1

Figure 2.2.7-1—Extra Borating System Functional Arrangement  
Sheet 2 of 2



I	III	I
DESIGN AREA	ASME	SSC SEISMIC CLASS

JDHO2T1