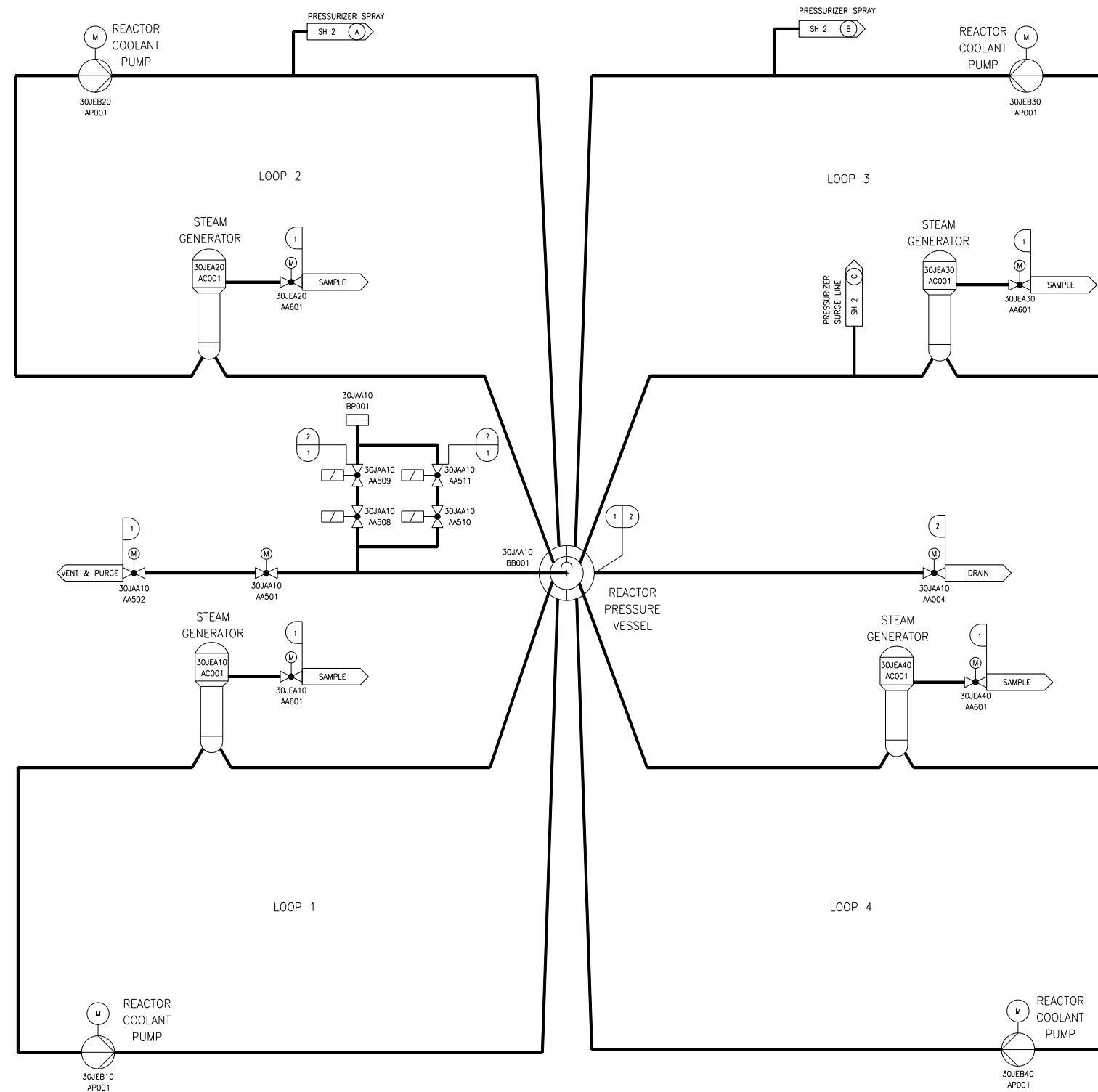


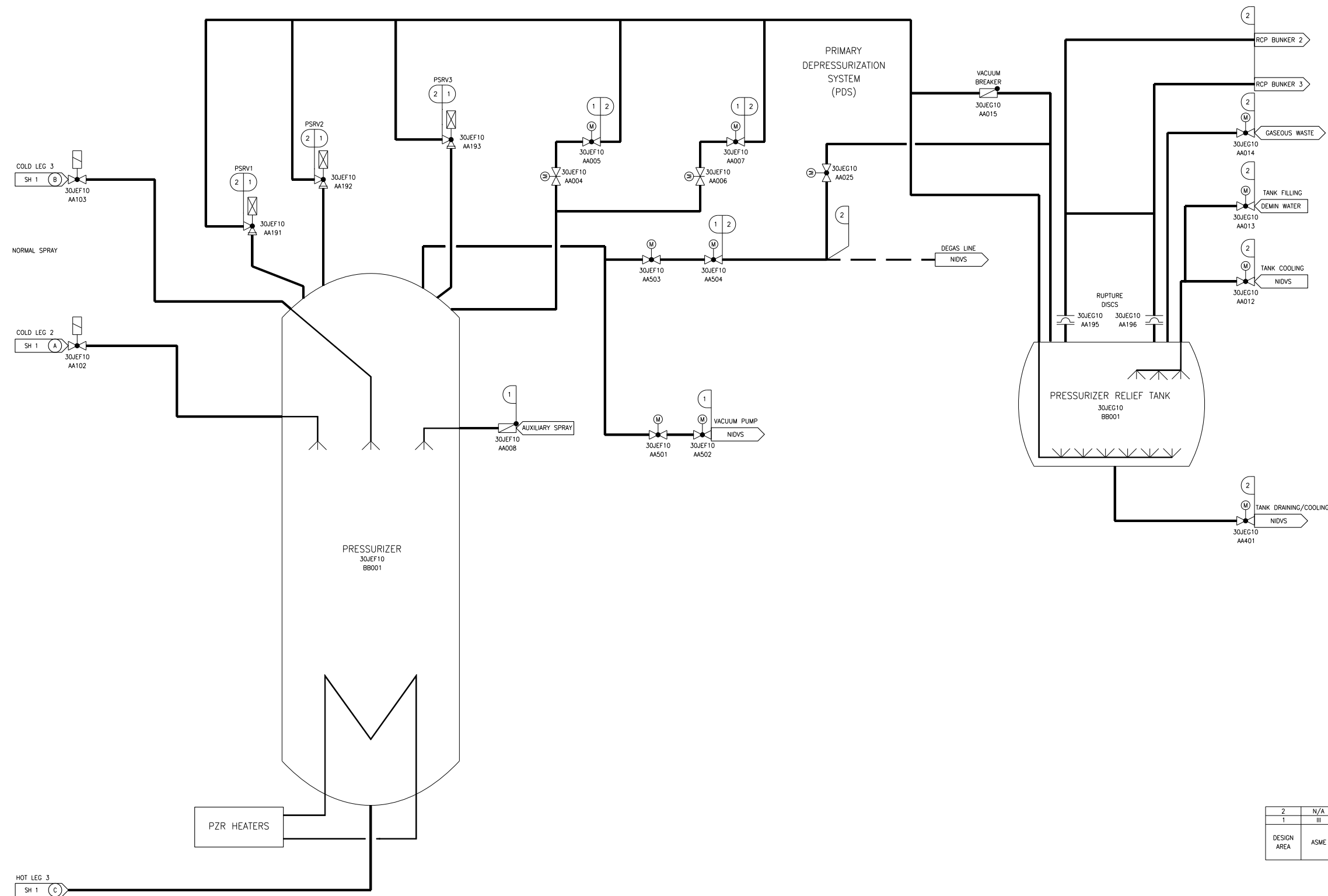
Figure 2.2.1-1—Reactor Coolant System Functional Arrangement
Sheet 1 of 6



2	N/A	II
1	III	I
DESIGN AREA	ASME	SSC SEISMIC CLASS

REV 001
JEX01T1

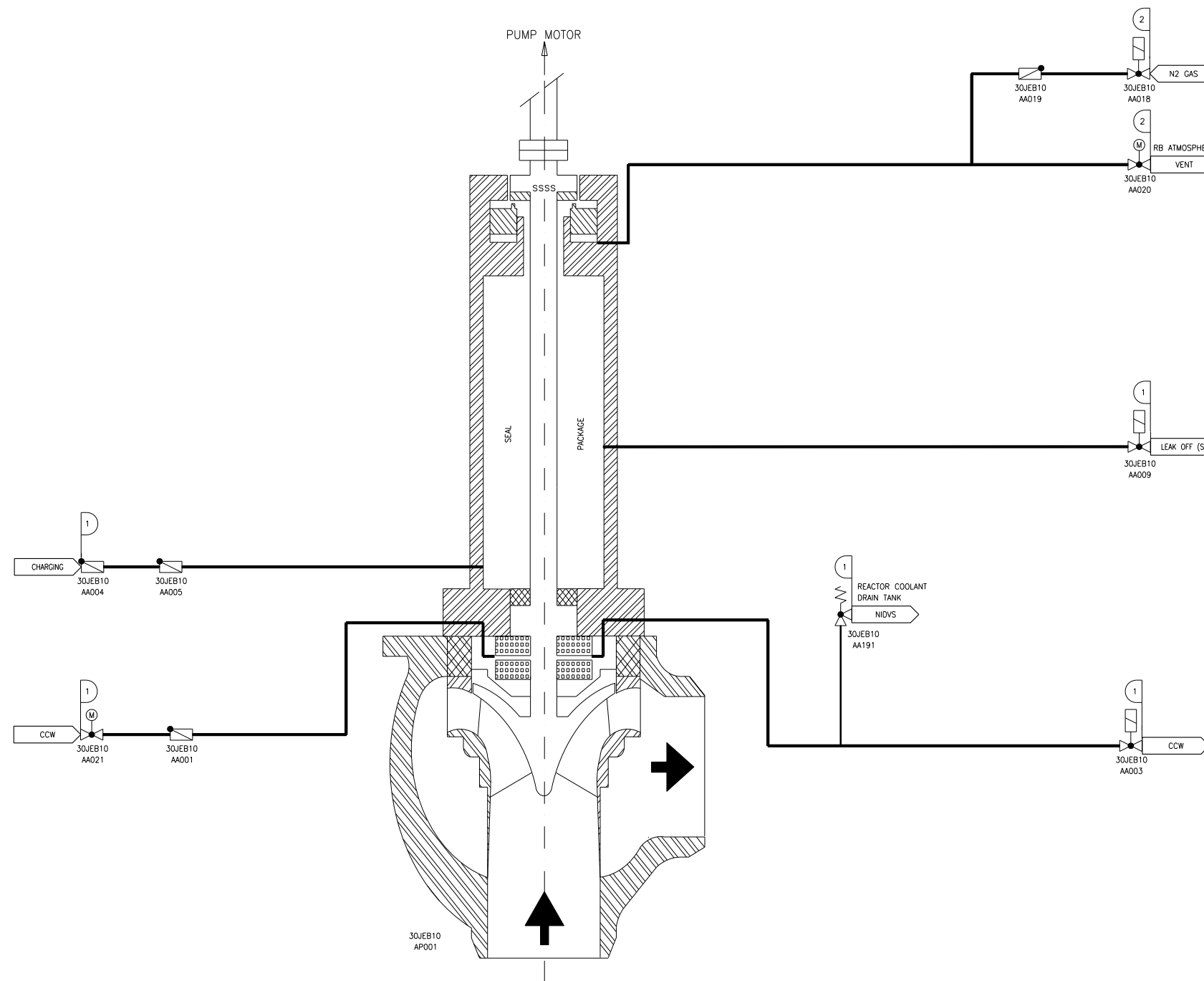
Figure 2.2.1-1—Reactor Coolant System Functional Arrangement
Sheet 2 of 6



2	N/A	II
1	III	I
DESIGN AREA	ASME	SSC SEISMIC CLASS

REV 001
JEX02T1

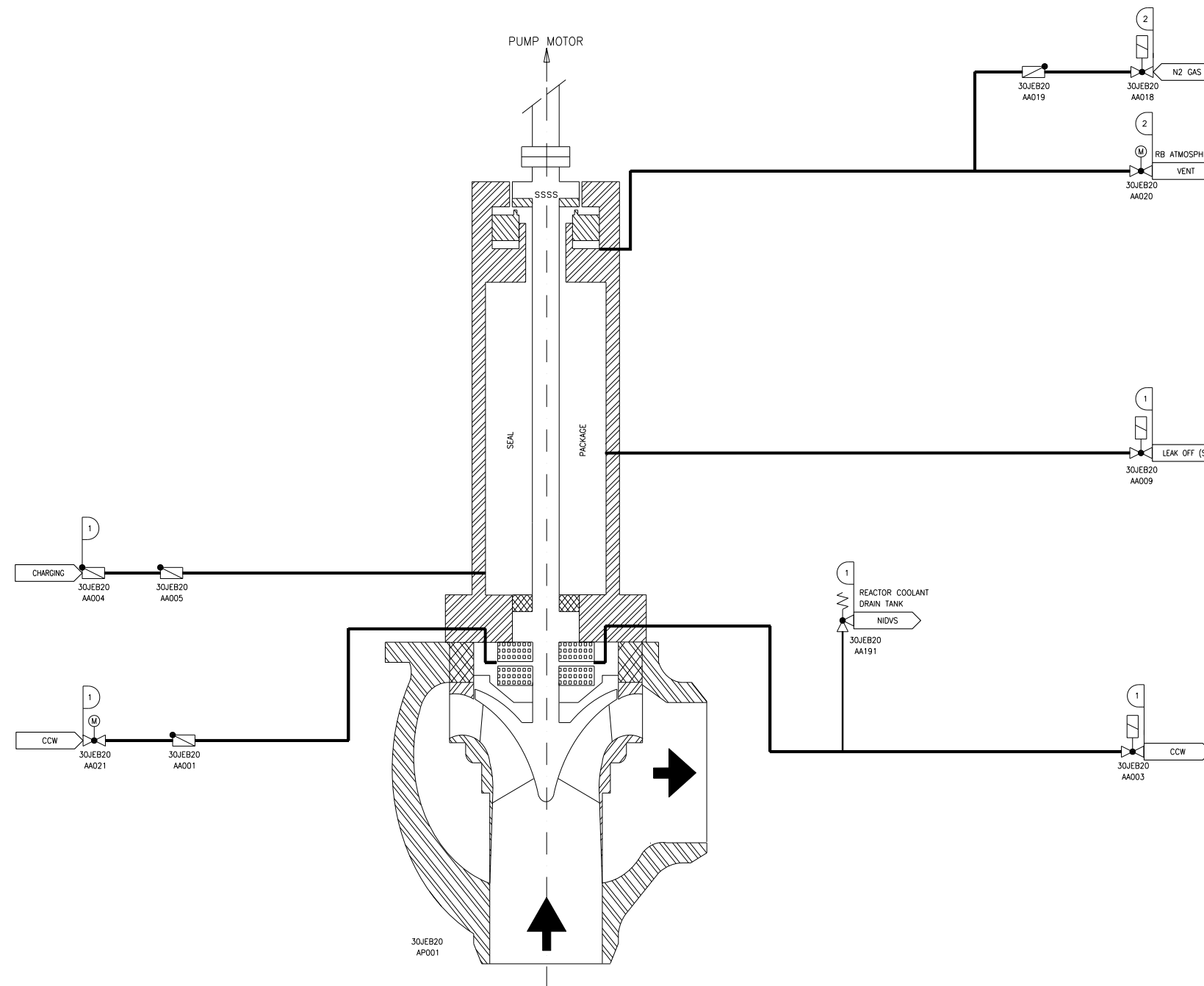
Figure 2.2.1-1—Reactor Coolant System Functional Arrangement
Sheet 3 of 6



2	N/A	II
1	III	I
DESIGN AREA	ASME	SSC SEISMIC CLASS

JEX03T1

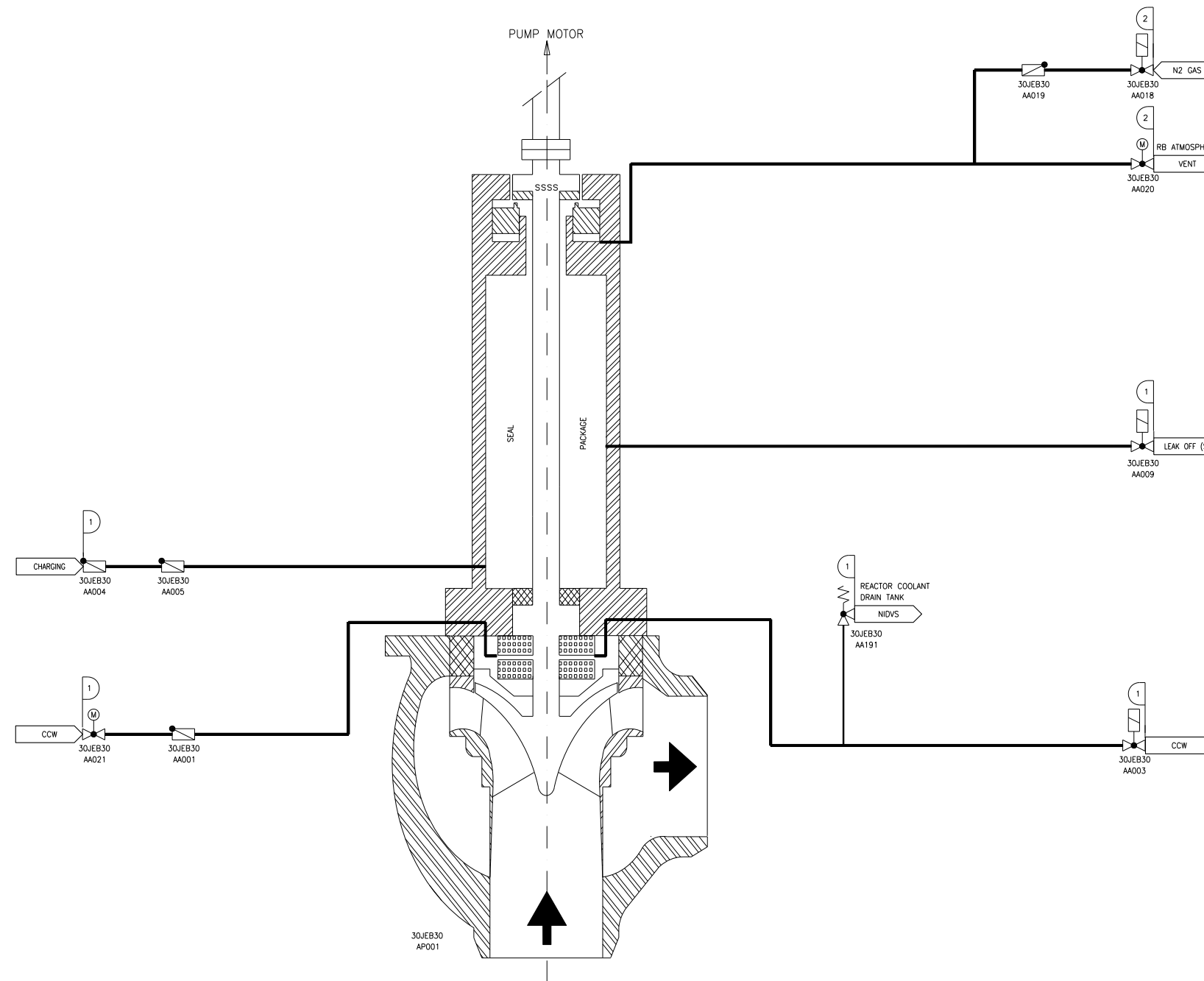
Figure 2.2.1-1—Reactor Coolant System Functional Arrangement
Sheet 4 of 6



2	N/A	II
1	III	I
DESIGN AREA	ASME	SSC SEISMIC CLASS

JEX04T1

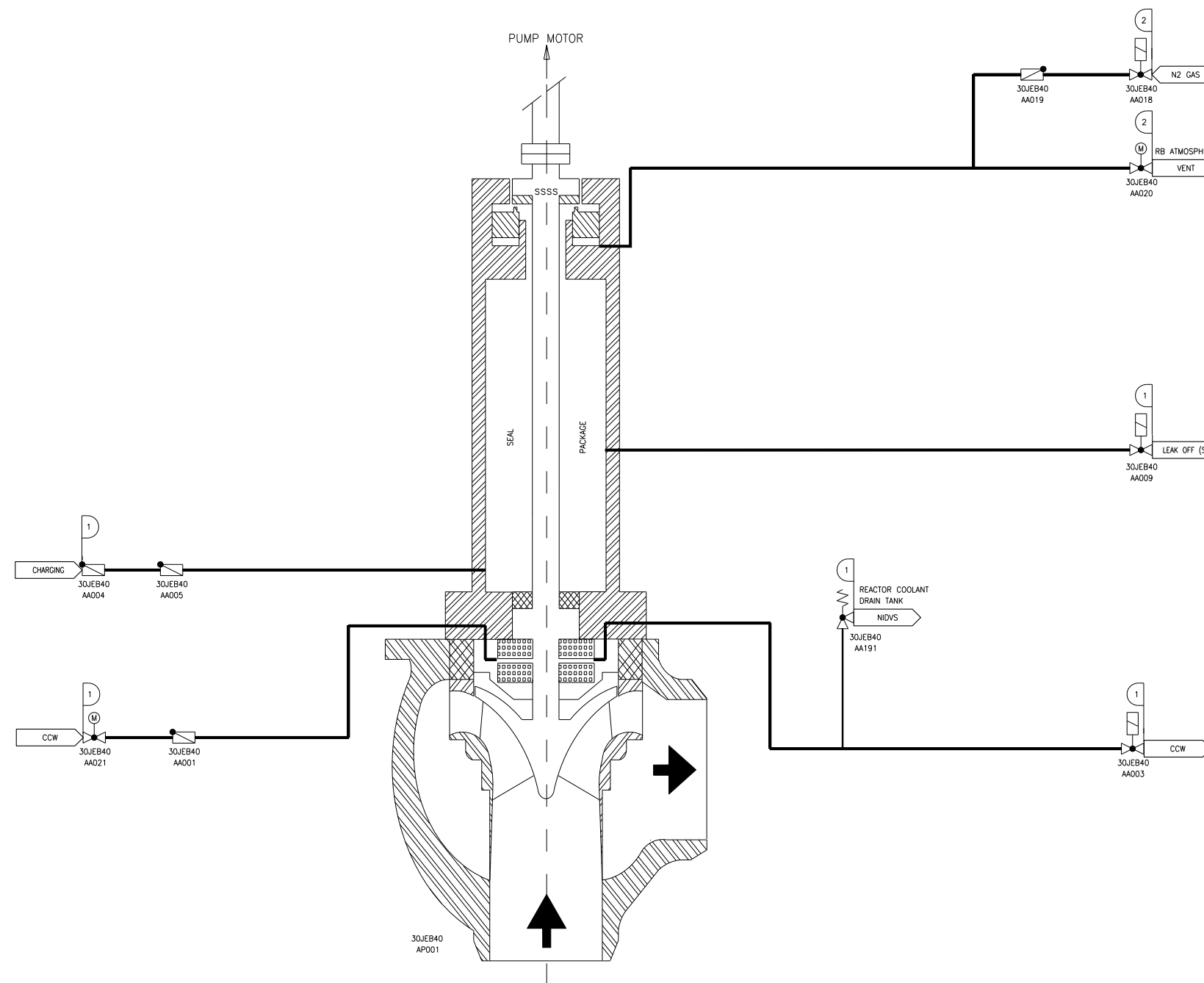
Figure 2.2.1-1—Reactor Coolant System Functional Arrangement
Sheet 5 of 6



2	N/A	II
1	III	I
DESIGN AREA	ASME	SSC SEISMIC CLASS

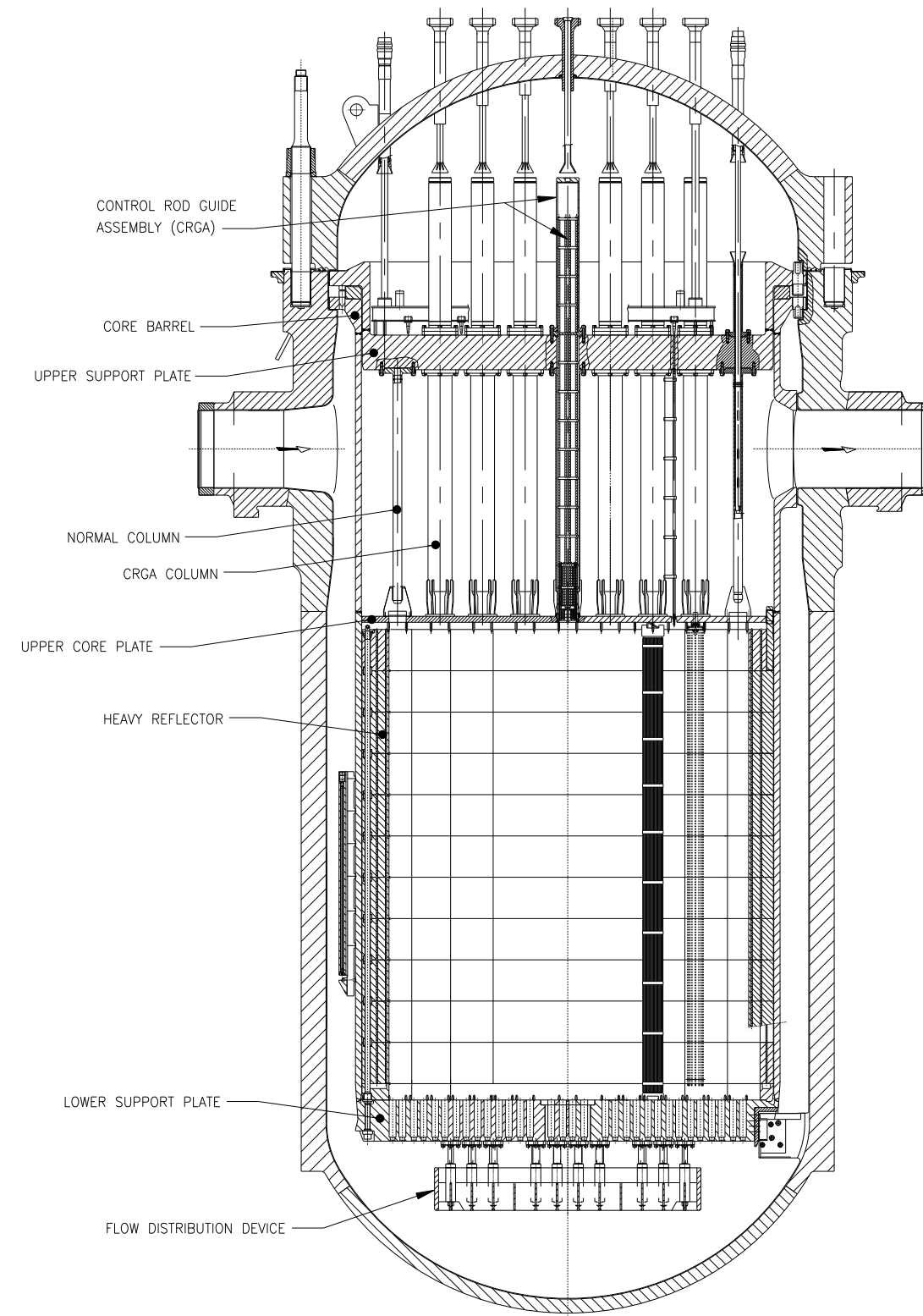
JEX05T1

Figure 2.2.1-1—Reactor Coolant System Functional Arrangement
Sheet 6 of 6



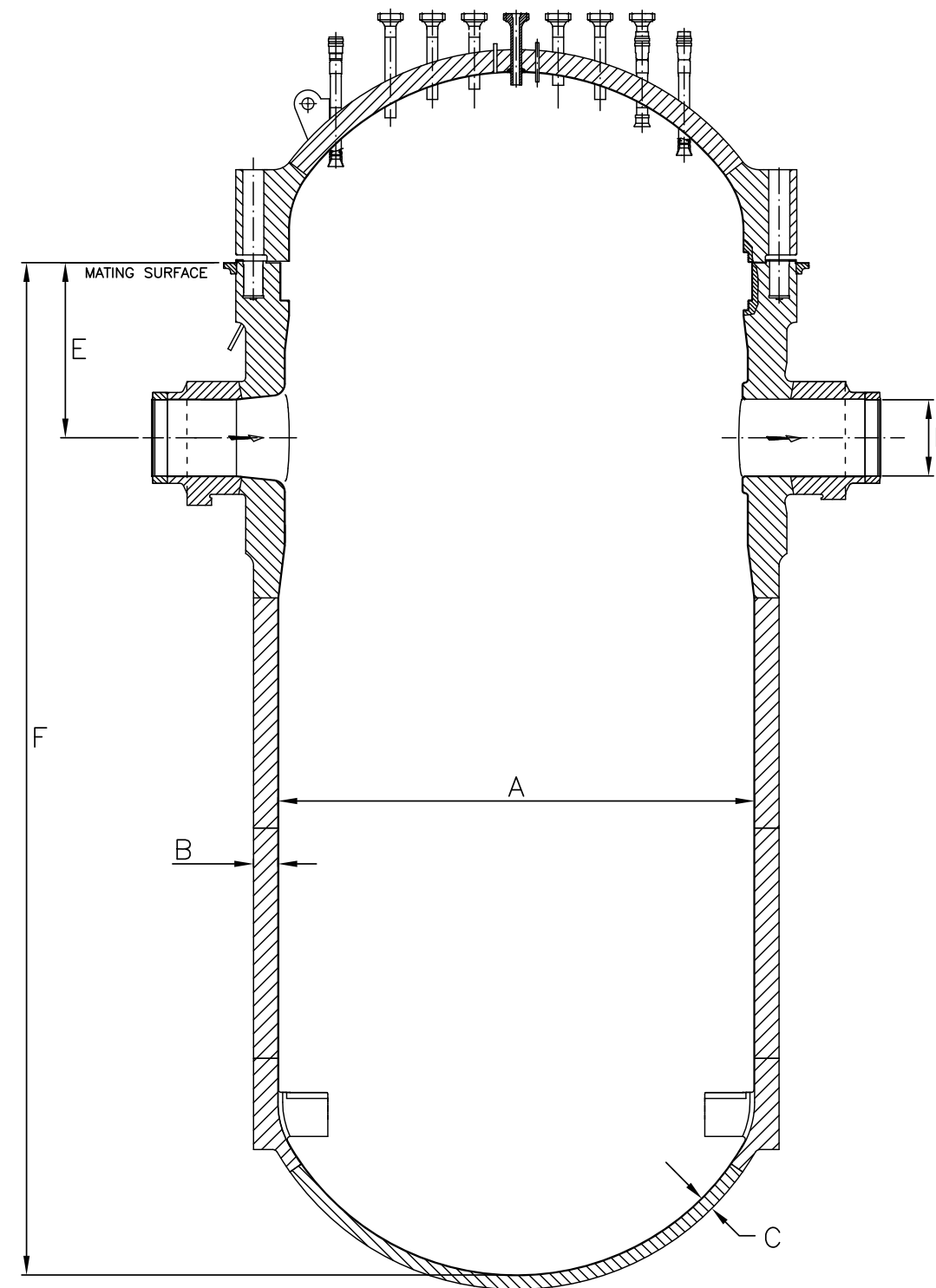
JEX06T1

Figure 2.2.1-2—Reactor Pressure Vessel Functional Arrangement
Sheet 1 of 2



JEX07 T1

Figure 2.2.1-2—Reactor Pressure Vessel Functional Arrangement
Sheet 2 of 2



JAA02 T1