



# **BEA Research Reactor Spent Fuel Cask**

*A Presentation to the  
US Nuclear Regulatory Commission*

**AREVA Federal Services LLC**

*May 8, 2008*

AREVA Federal Services LLC



## **Agenda**

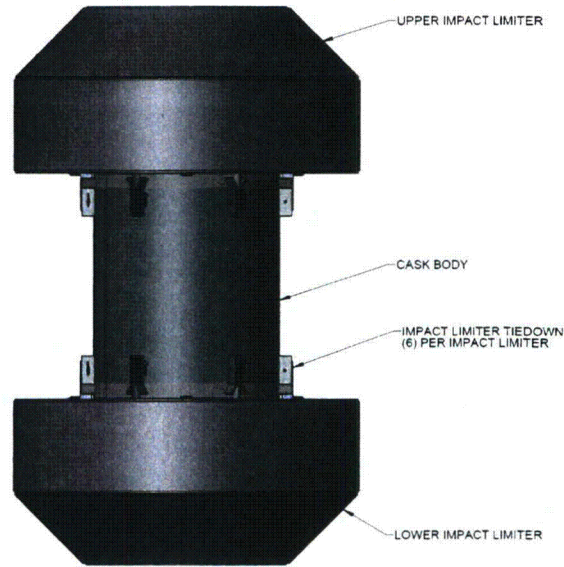
- ▷ **Introductions**
- ▷ **Meeting Objectives**
- ▷ **Cask Design Discussion**
- ▷ **Licensing Strategy**
- ▷ **Project Schedule**
- ▷ **Summary**

AREVA Federal Services LLC ▷ BEA Cask NRC Presentation, 5-08-08

2

Enclosure 2

### Cask Design, cont.



### Cask Design, con't

