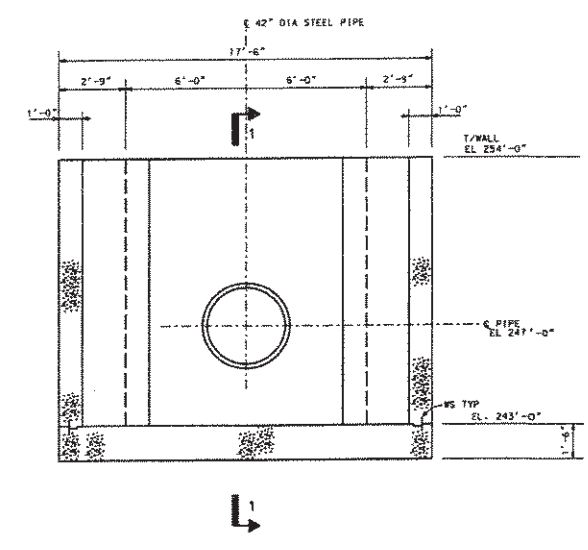
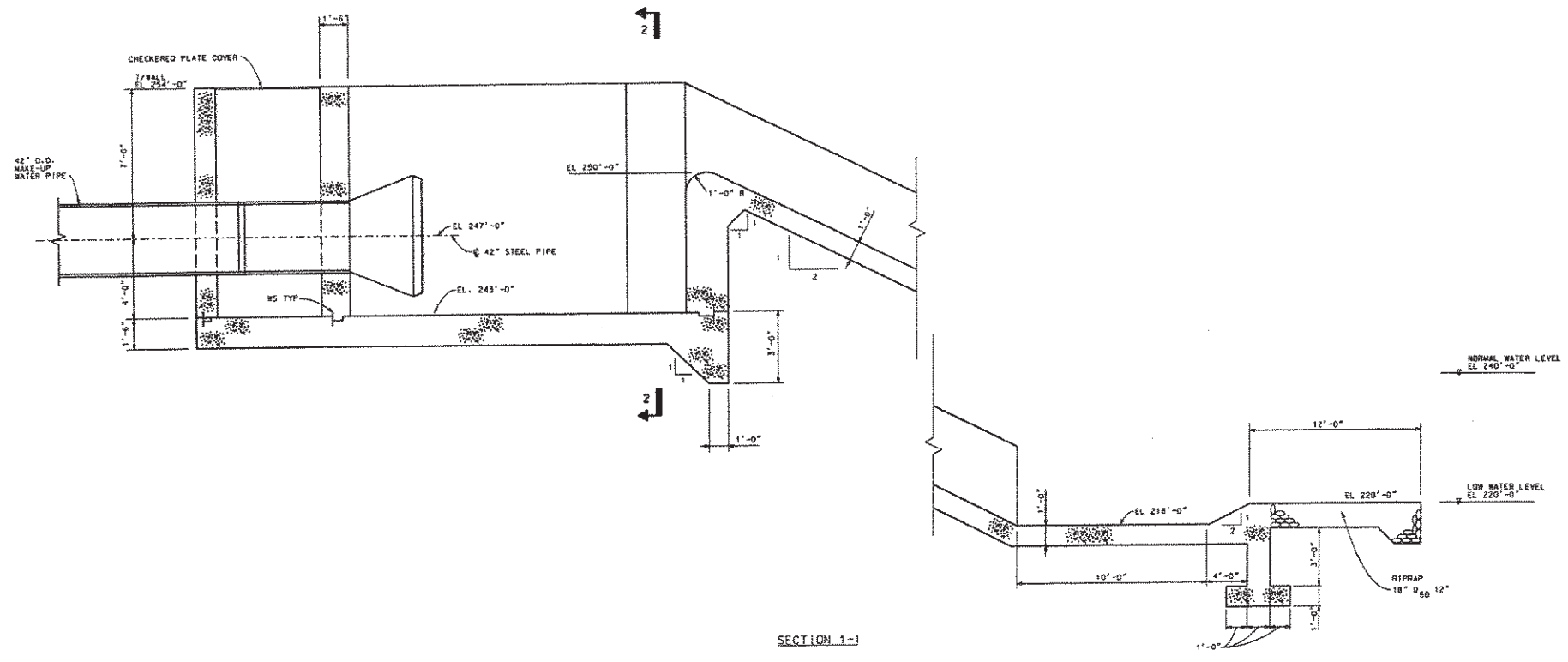


PLAN VIEW



SECTION 2-2
SCALE 1/2" = 1'-0"



SECTION 1-1

Calc. No. HAG-XK01-ZOC-001
Rev. 1
Attachment G
Page G3 of G7

<p>Progress Energy Carolinas Shearon Harris Nuclear Power Plant Units 2 and 3 Part 3, Environmental Report New Hill, North Carolina</p>
<p>Cape Fear Intake & Harris Reservoir Discharge Structures FIGURE 3.3-4</p>