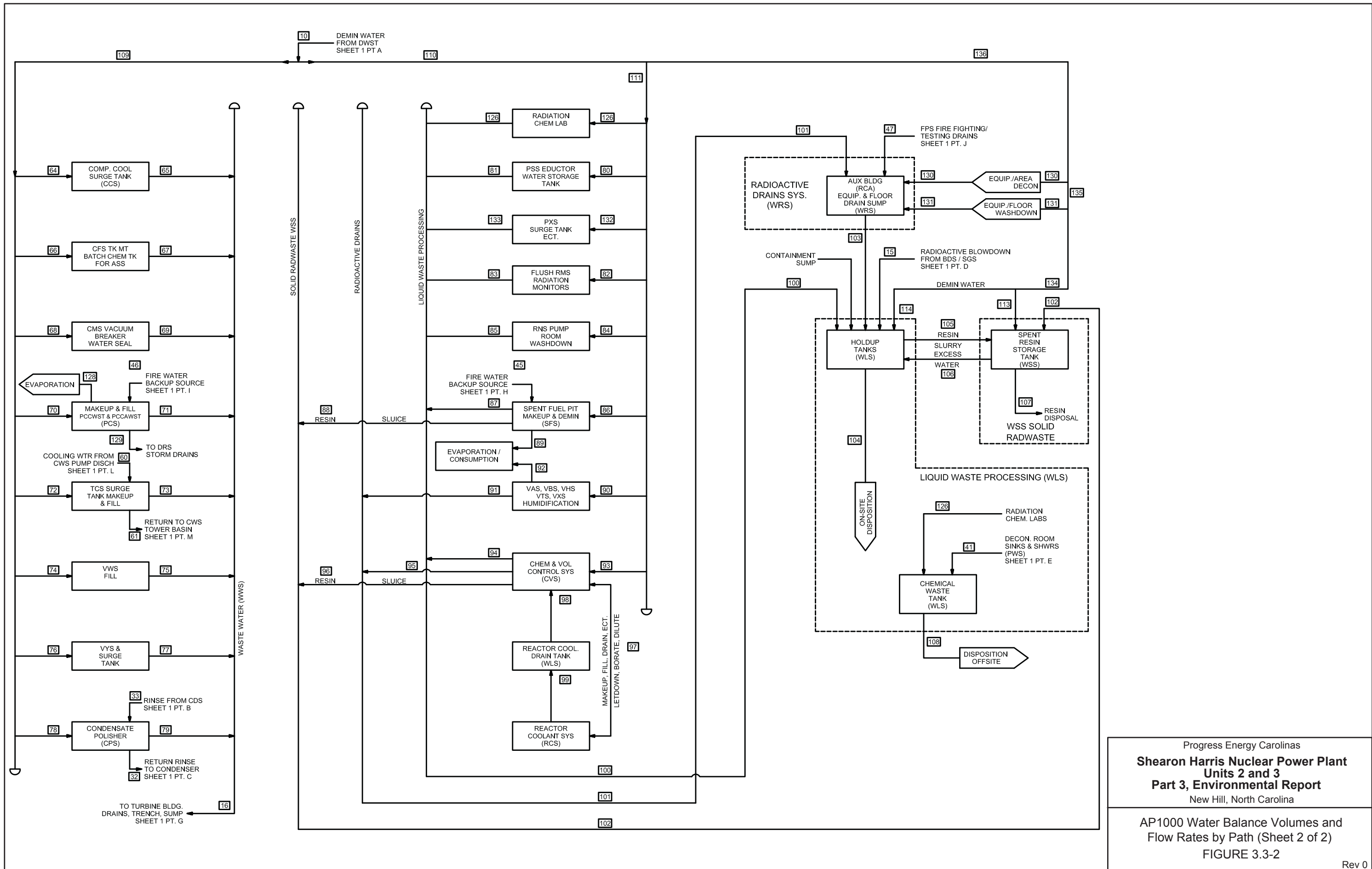


Progress Energy Carolinas
**Shearon Harris Nuclear Power Plant
 Units 2 and 3**
Part 3, Environmental Report
 New Hill, North Carolina

AP1000 Water Balance Volumes and
 Flow Rates by Path (Sheet 1 of 2)
FIGURE 3.3-2

Rev 0



Progress Energy Carolinas
**Shearon Harris Nuclear Power Plant
 Units 2 and 3**
Part 3, Environmental Report
 New Hill, North Carolina

AP1000 Water Balance Volumes and
 Flow Rates by Path (Sheet 2 of 2)
FIGURE 3.3-2

Rev 0