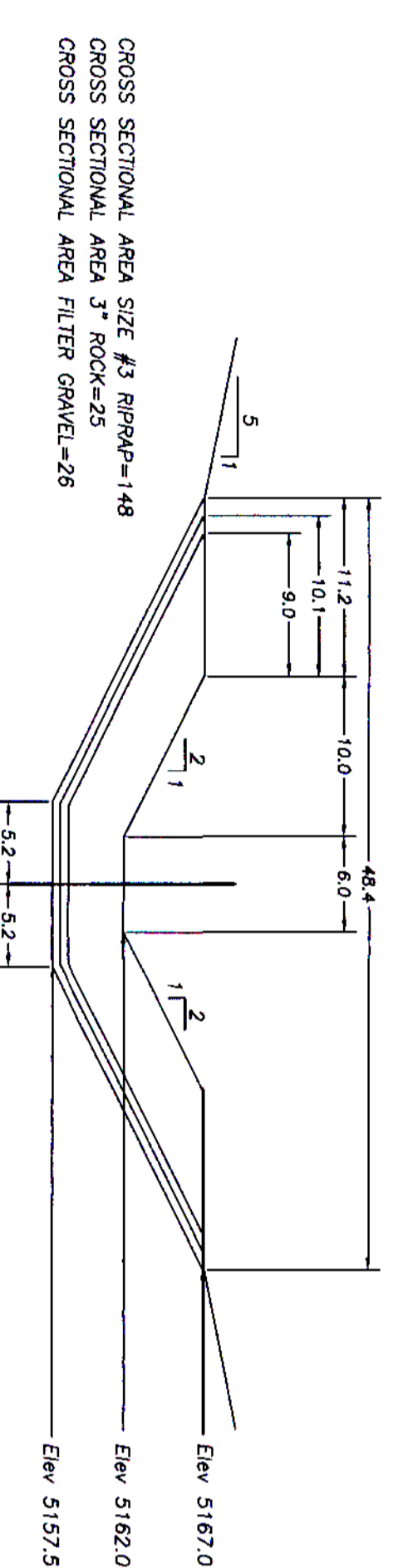
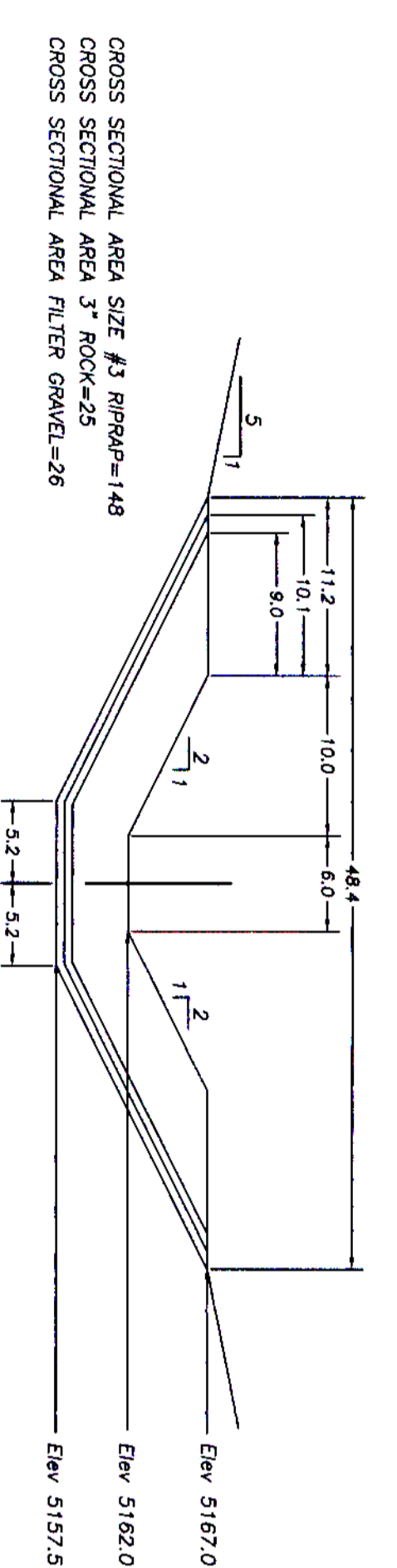


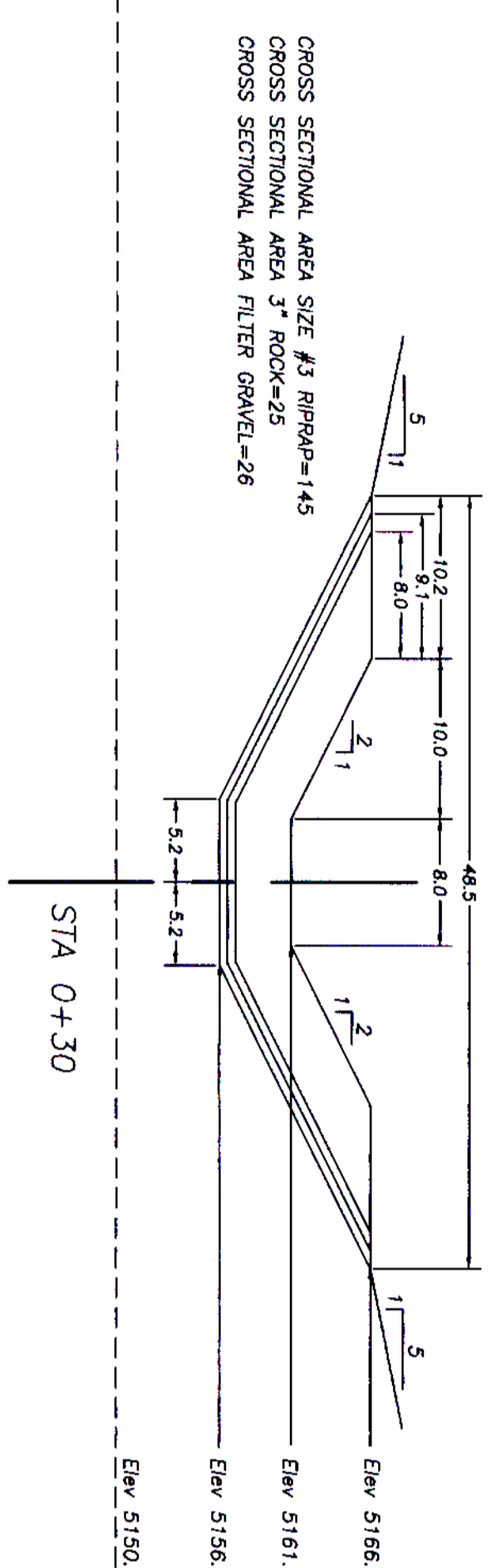
STA 0+50 APPROACH



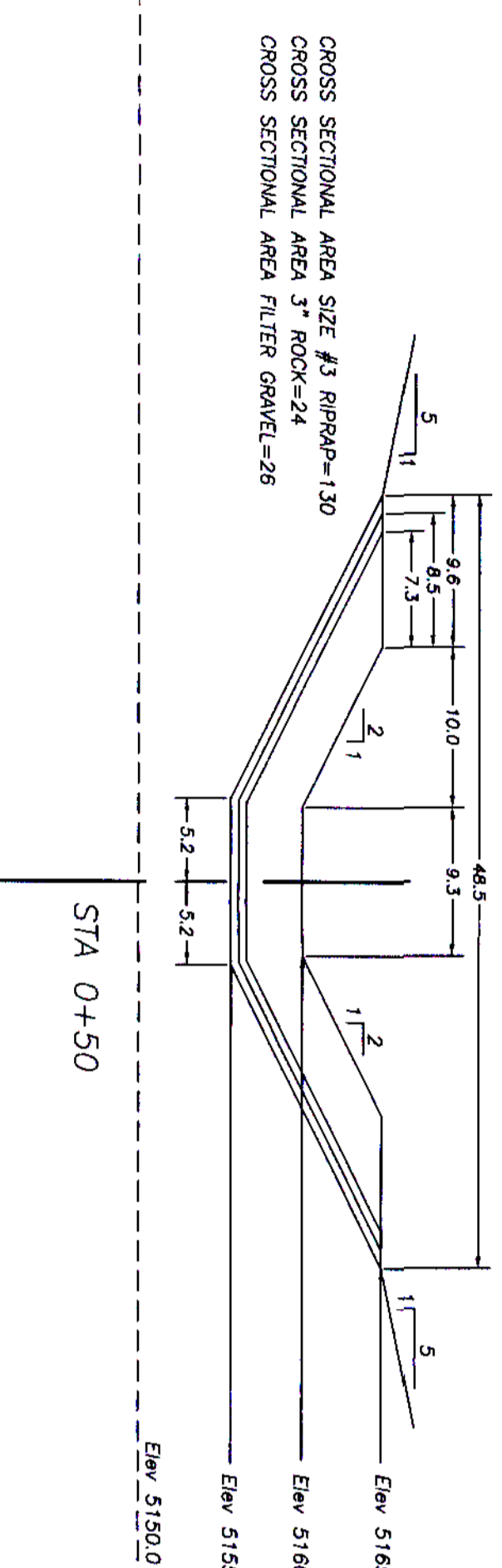
STA 0+45 APPROACH



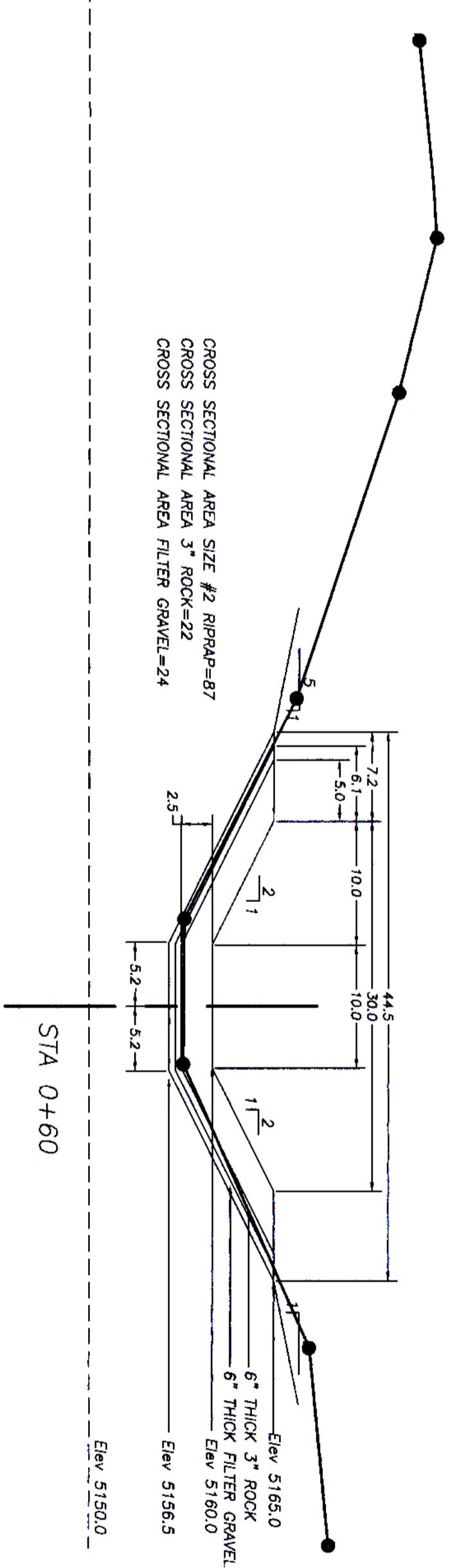
STA 0+00



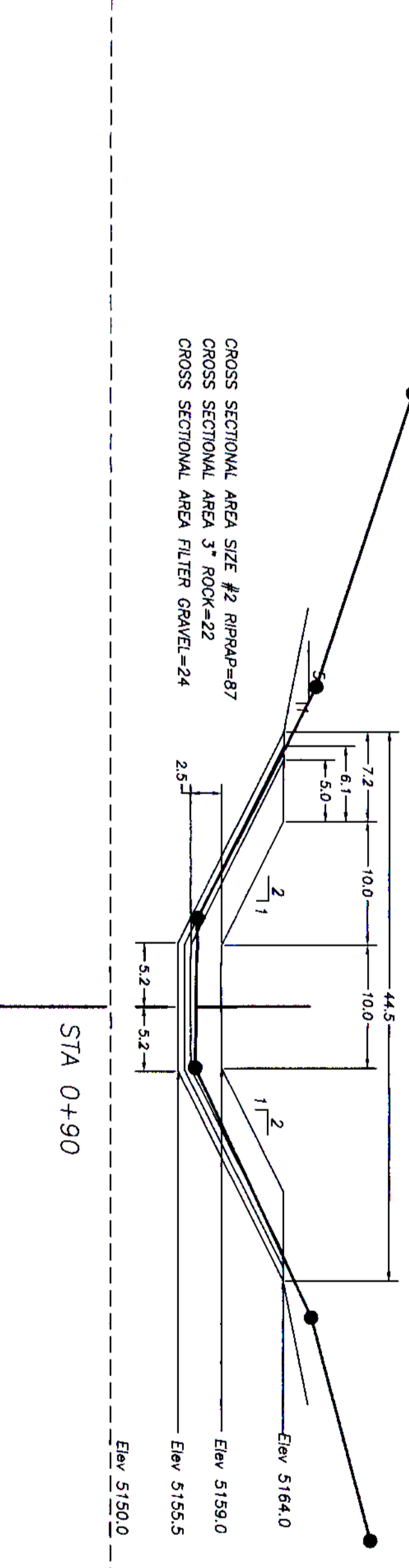
STA 0+30



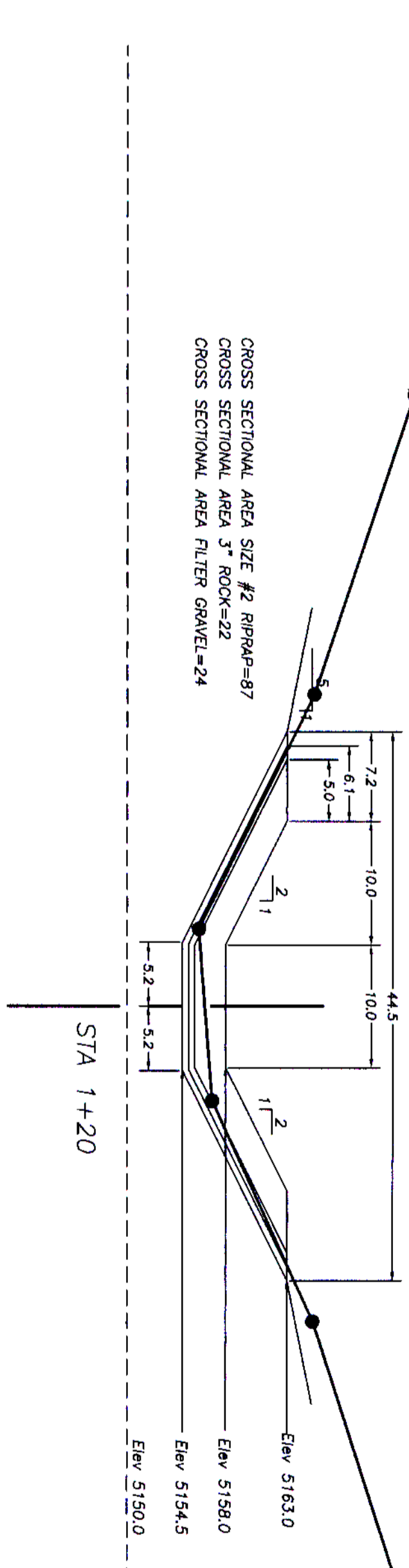
STA 0+50



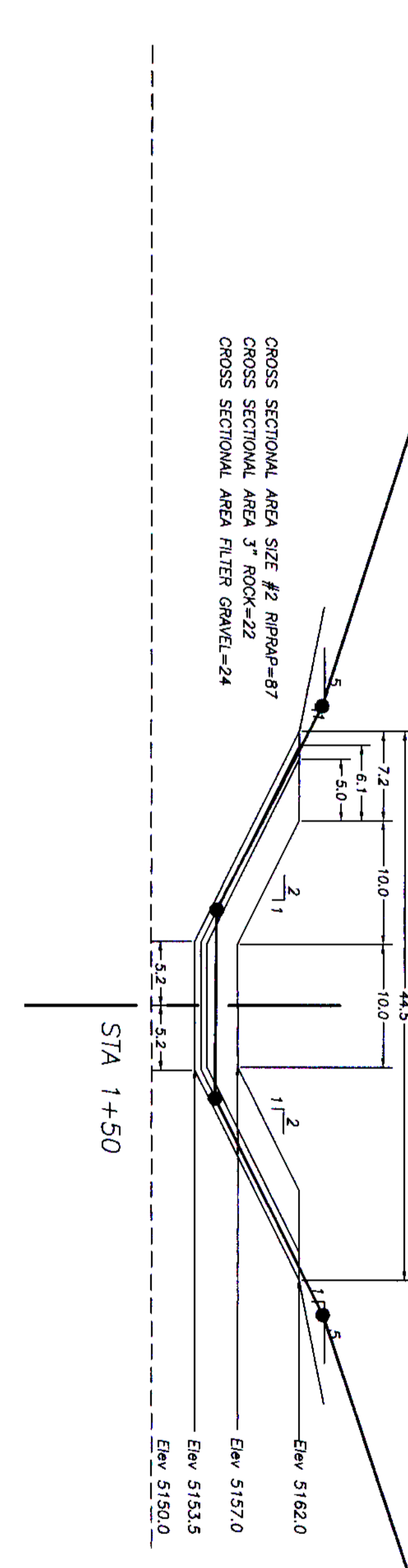
STA 0+60



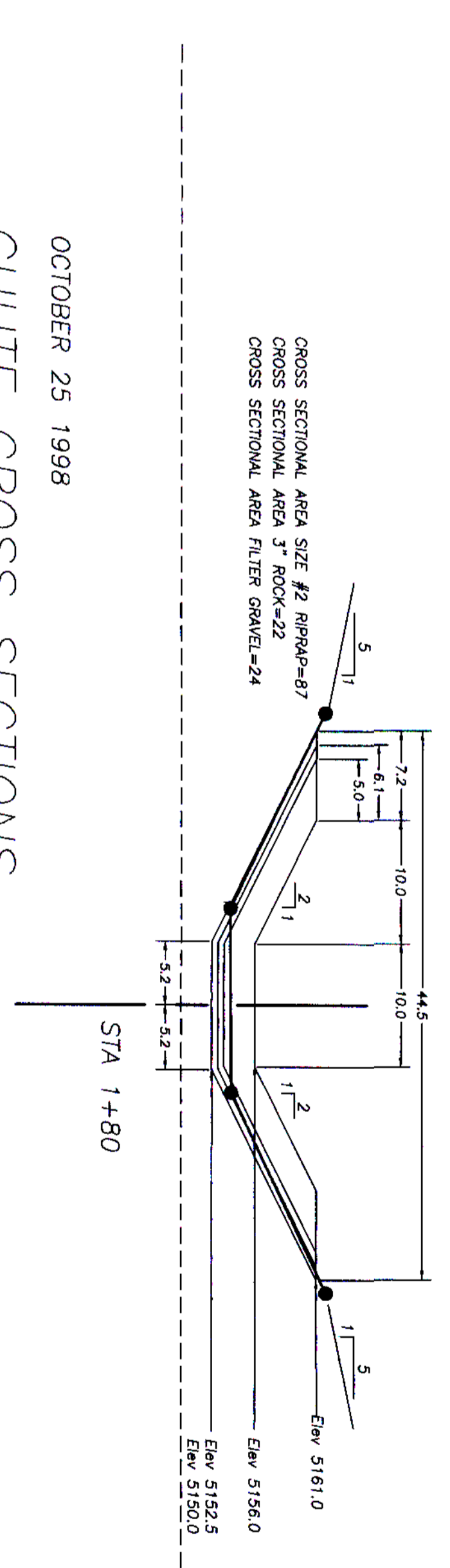
STA 0+90



STA 1+20



STA 1+50



STA 1+80

OCTOBER 25 1998
 CHUTE CROSS SECTIONS
 SCALE: 1" = 10'

Revisions		Issue		Date	
No.	By	Checked	Date	Issue	Date
1	NC		12/28	Approved	
				Approved	
				Approved	
				Approved	

Union Pacific
 BEAR CREEK URANIUM
 TAILINGS DISPOSAL AREA
 CHUTE CROSS SECTIONS
 File/Dwg. No. 05-C-012B