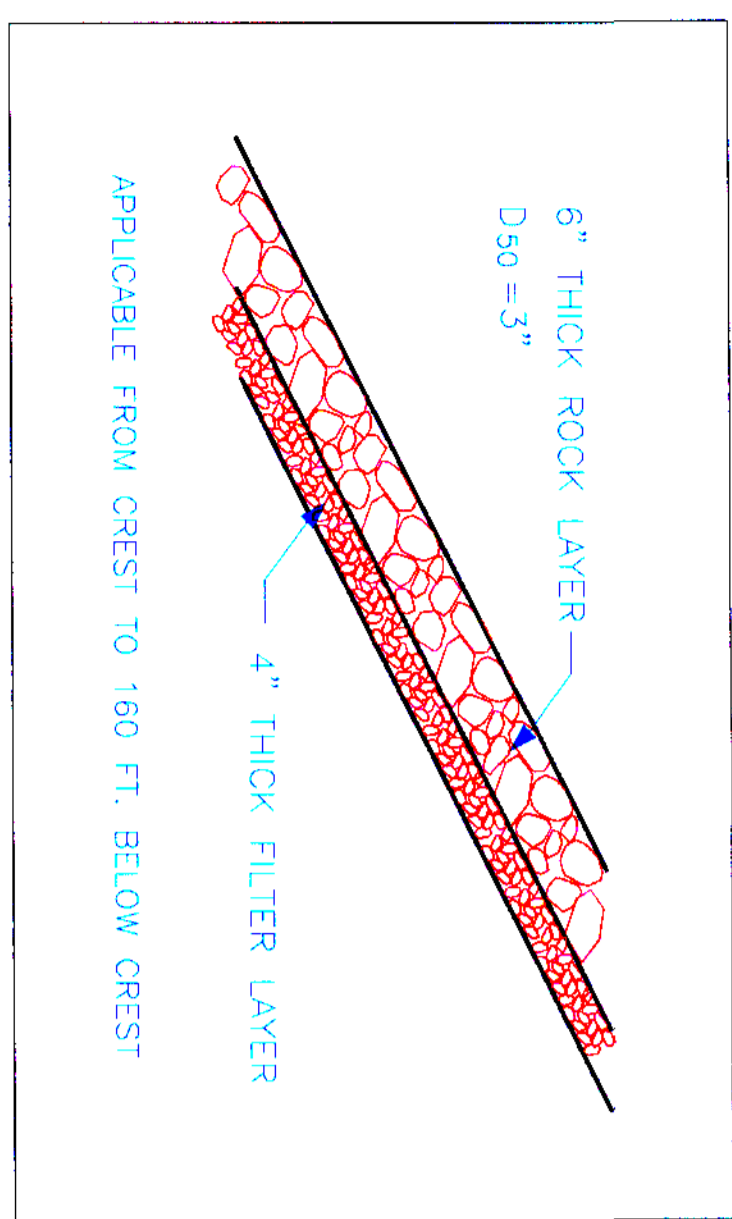
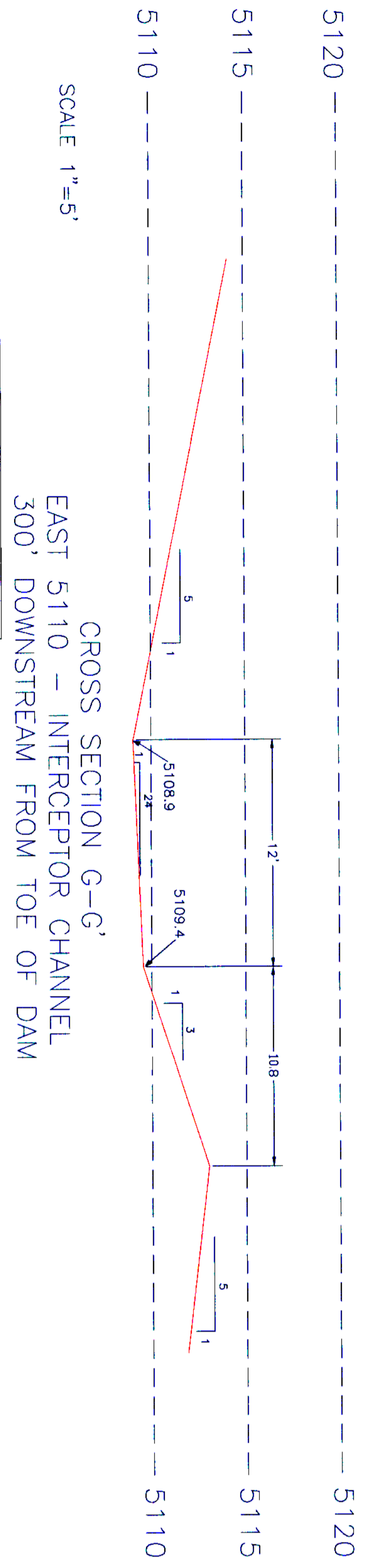
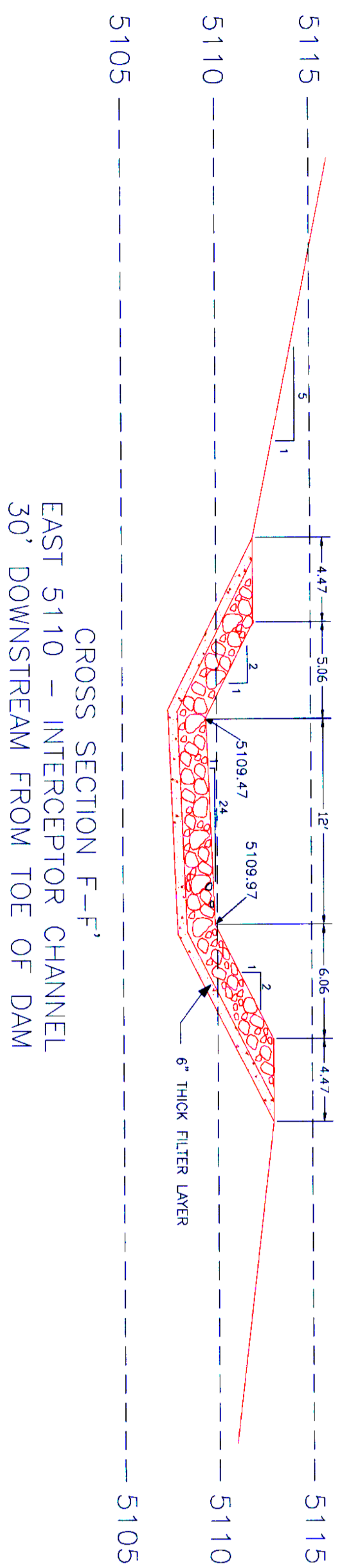
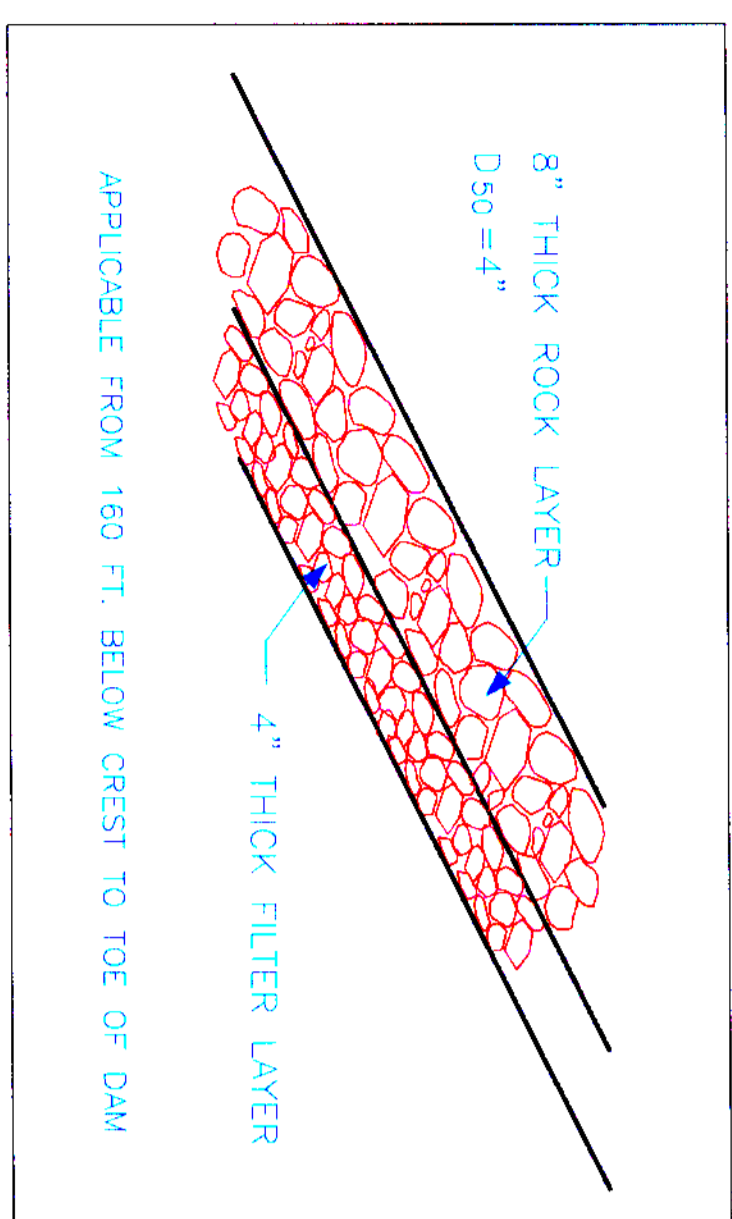


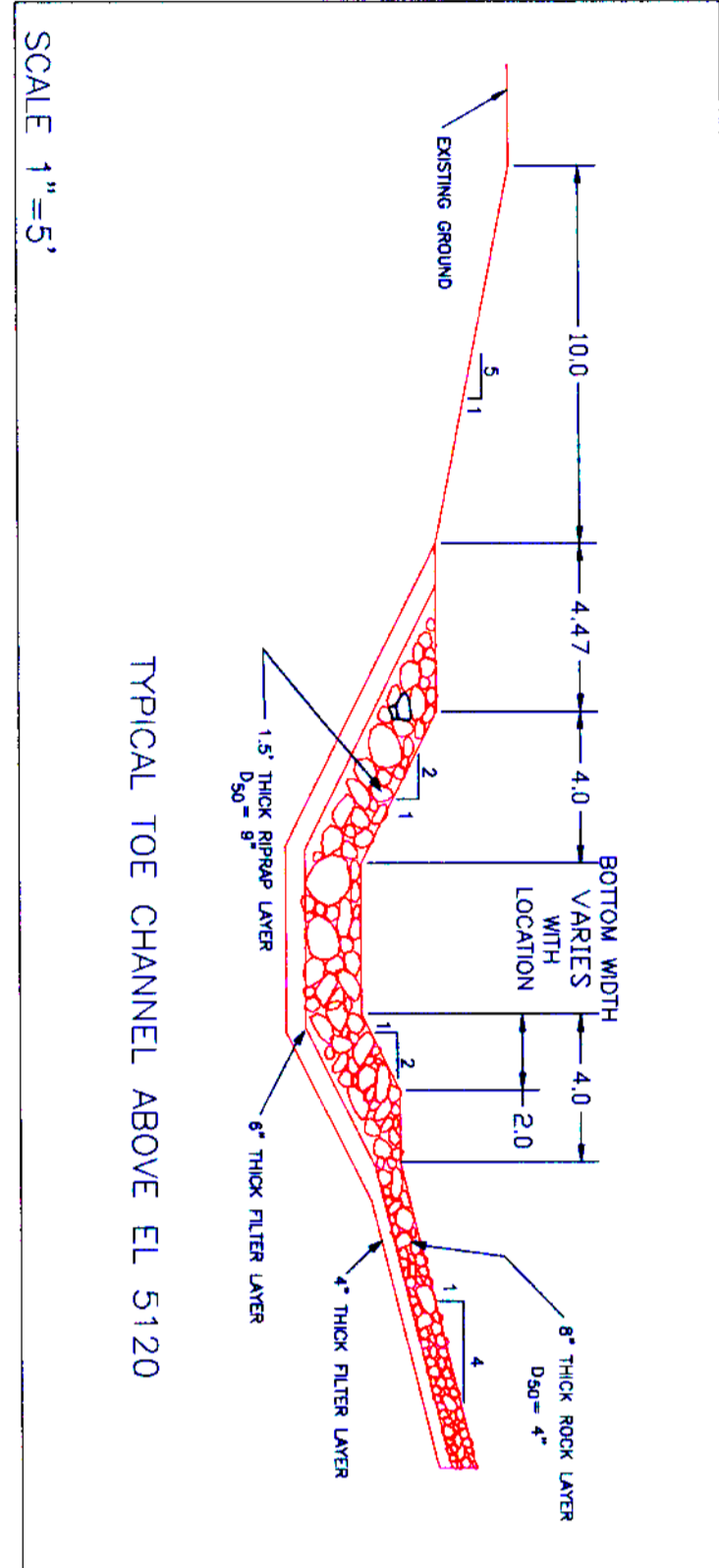
SECTION E-E' STATION 10+00 SCALE 1"=20'



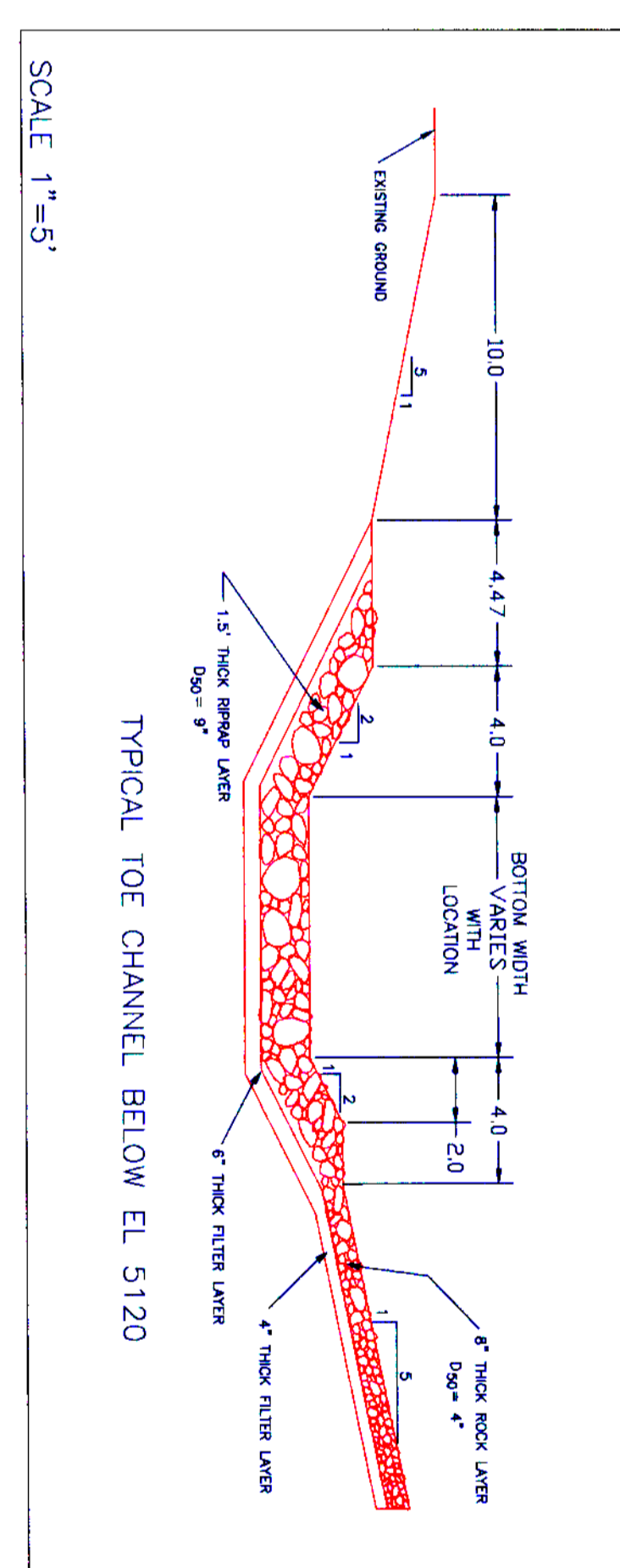
DETAIL 1



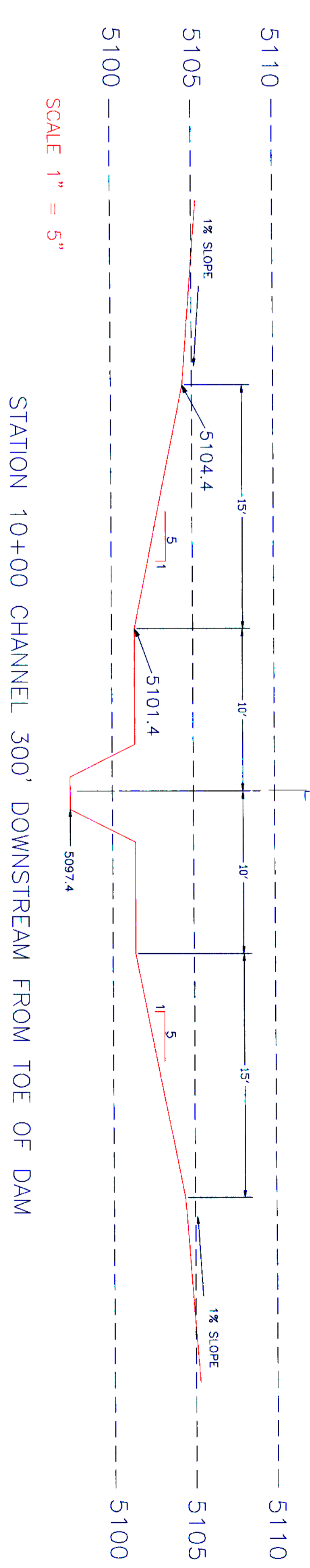
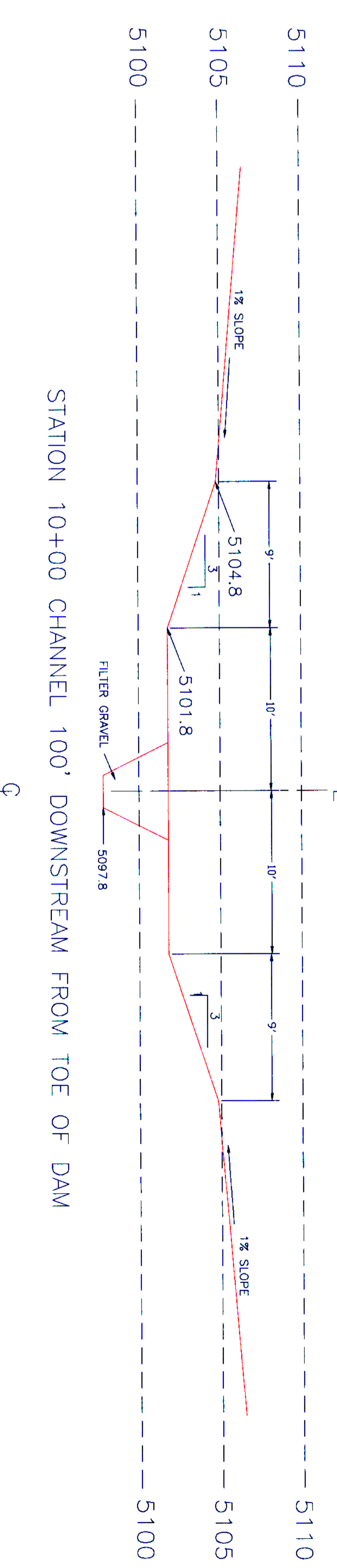
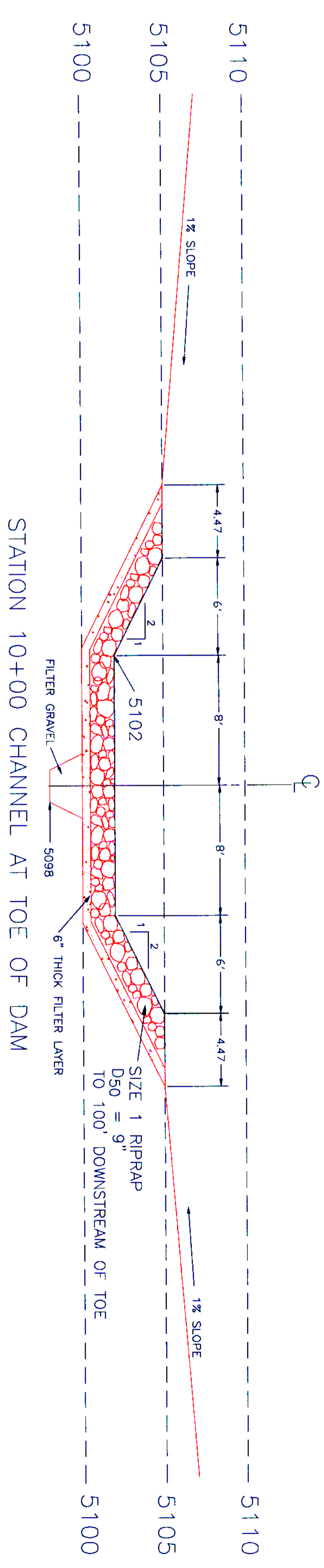
DETAIL 2



DETAIL 3



DETAIL 4



NOTE: SEE DWG 05-C-007 FOR LOCATION OF CROSS SECTIONS

Revisions		Issue Date	
No.	By	Checked/Rev./JAW	Date
1	SKC	12/26/05	10/2/01
		approved	approved
		approved	approved
		approved	approved

UK Union Pacific
 BEAR CREEK URANIUM
 TAILINGS DISPOSAL AREA
 RECLAMATION SLOPE ON DAM
 SECTIONS AND DETAILS
 File/Dwg.No. 05-C-008