

BWR Vessel and Internals Project LPCI Coupling Repair Design Criteria (BWRVIP-56NP)

NON-PROPRIETARY INFORMATION

NOTICE: This report contains the non-proprietary information that is included in the proprietary version of this report. The proprietary version of this report contains proprietary information that is the intellectual property of BWRVIP utility members and EPRI. Accordingly, the proprietary report is available only under license from EPRI and may not be reproduced or disclosed, wholly or in part, by any Licensee to any other person or organization.

REPORT SUMMARY

The Boiling Water Reactor Vessel and Internals Project (BWRVIP), formed in June, 1994, is an association of utilities focused exclusively on BWR vessel and internals issues. This BWRVIP report documents criteria which can be used to design a repair for LPCI Couplings in a BWR.

Background

In the event that significant degradation is observed in a BWR LPCI Coupling, repair may be required. Utilities need criteria which can be used in the development of designs for those repairs.

Objectives

To compile the appropriate repair design criteria into a document which can be used by utility personnel performing the design and which could be submitted to appropriate regulatory agencies for approval of the generic design process.

Approach

The contractor assembled a draft document which discussed all elements which need to be considered in designing a repair. Items discussed include: design objectives; structural evaluation; system evaluation; materials, fabrication and installation consideration; and, required inspection and testing. The resulting draft was reviewed in depth by BWRVIP utility representatives as well as third party contractors. The final report incorporates comments received during those reviews.

Results

The document provides general design acceptance criteria for the repair of a LPCI Coupling. Repairs designed to meet these criteria will maintain the structural integrity of the component under normal operation as well as under postulated transient and design basis accident conditions.

EPRI Perspective

The criteria listed in the report define a standard set of considerations which are important in designing a repair. It is intended that these criteria will be submitted to the USNRC, and possibly non-US regulators, for their approval. Regulatory acceptance of these generic criteria will significantly reduce the utility effort required to obtain approval for plant-specific repairs.

TR-108717NP

Key Words

Boiling Water Reactor

Repair

Stress Corrosion Cracking

Vessel and Internals

LPCI Coupling

BWR Vessel and Internals Project LPCI Coupling Repair Design Criteria

(BWRVIP-56NP)

**TR-108717NP
Research Project B501**

Final Report, March 2000

Prepared by:

GE Nuclear Energy

BWRVIP Repair Committee

Prepared for

**BOILING WATER REACTOR VESSEL & INTERNALS PROJECT and
EPRI**

3412 Hillview Ave.

Palo Alto, California 94304

DISCLAIMER OF WARRANTIES AND LIMITATION OF LIABILITIES

This report was prepared by the organization(s) named below as an account of work sponsored or cosponsored by the BWR Vessel and Internals Project (BWRVIP) and the Electric Power Research Institute, Inc. (EPRI). Neither BWRVIP, EPRI, any member of EPRI, any cosponsor, the organization(s) named below, nor any person acting on behalf of any of them:

(a) makes any warranty or representation whatsoever, express or implied, (i) with respect to the use of any information, apparatus, method, process or similar item disclosed in this report, including merchantability and fitness for a particular purpose, or (ii) that such use does not infringe on or interfere with privately owned rights, including any party's intellectual property, or (iii) that this report is suitable to any particular user's circumstance, or

(b) assumes any responsibility for any damages or other liability whatsoever (including any consequential damages, even if BWRVIP, EPRI or any EPRI representative has been advised of the possibility of such damages) resulting from your selection or use of this report or any information, apparatus, method, process or similar item disclosed in this report.

Organization(s) that prepared this report:

GE NUCLEAR ENERGY

BWRVIP Repair Committee

ORDERING INFORMATION

Requests for copies of this report should be directed to the BWRVIP Program Manager, 3412 Ave., Palo Alto, Ca. 94304, (650) 855-2340.

ACKNOWLEDGMENTS

The members of the BWRVIP Repair Committee, listed below, are gratefully acknowledged for their efforts which led to the successful completion of this document.

Julien Abramovici	GPU
Kim Bezzant	NSP
Bill Bianco	PECO
John Blomgren	ComEd
Roy Corieri	NMPC
John Disney	WPPSS
Bob Geier	ComEd
Charles Martin	BEC0
Bruce McLeod	SNC
Priit Okas	NYPA
Jim O'Sullivan	PP&L
Gary Park	IES
Paul Phelan	Yankee
Robert Phillips	TVA
Rick Rogoski	First Energy
Aurelio Sala	Iberdrola
John Zudans	PSE&G

GE Principal Investigators:

D.B. Drendel

Table of Contents

1. INTRODUCTION	1
1.1 BACKGROUND.....	1
1.2 PURPOSE.....	1
1.3 SCOPE	1
2. DEFINITIONS.....	3
3. LPCI COUPLING CONFIGURATIONS AND SAFETY FUNCTIONS	5
3.1 GENERAL PHYSICAL DESCRIPTION.....	5
3.1.1 <i>Function of the LPCI Coupling</i>	5
3.1.2 <i>LPCI Coupling in BWR/4 and BWR/5 Plants</i>	5
3.1.3 <i>LPCI Coupling in BWR/6 Plants</i>	6
3.1.4 <i>RHR LPCI Mode Vessel Nozzle</i>	7
3.2 SAFETY DESIGN BASES	8
3.2.1 <i>LPCI Coupling</i>	8
3.2.2 <i>Loose Parts</i>	8
3.3 EVENT ANALYSES.....	8
3.3.1 <i>Normal Operation</i>	8
3.3.2 <i>Anticipated Operational Occurrences (Upset Conditions)</i>	8
3.3.3 <i>Design Basis Accidents (Emergency/Faulted Conditions)</i>	8
3.3.4 <i>Loading Combinations</i>	9
4. SCOPE OF REPAIRS.....	11
5. DESIGN OBJECTIVES.....	13
5.1 DESIGN LIFE	13
5.2 SAFETY DESIGN BASES	13
5.3 SAFETY ANALYSIS EVENTS	13
5.4 STRUCTURAL INTEGRITY	13
5.5 RETAINED FLAW(S).....	13
5.6 LOOSE PARTS CONSIDERATIONS.....	14
5.7 PHYSICAL INTERFACES WITH OTHER REACTOR INTERNALS.....	14
5.8 INSTALLATION CONSIDERATIONS.....	14
6. DESIGN CRITERIA	15
6.1 LPCI COUPLING DESIGN.....	15
6.2 RECONCILIATION WITH ASME CODE COMPONENTS	15
7. STRUCTURAL AND DESIGN EVALUATION	17
7.1 LOAD DEFINITIONS - APPLIED LOADS	17
7.2 SERVICE LEVEL CONDITIONS	20
7.3 LOAD COMBINATIONS.....	21
7.3.1 <i>Mark I Plants</i>	22
7.3.2 <i>Mark II and III Plants</i>	22
7.4 FUNCTIONAL EVALUATION CRITERIA.....	22
7.5 ALLOWABLE STRESSES	23
7.6 FLOW INDUCED VIBRATION	23
7.7 REPAIR IMPACT ON EXISTING INTERNAL COMPONENTS	23
7.8 RADIATION EFFECTS ON REPAIR DESIGN	24

7.9 ANALYSIS CODES	24
7.10 THERMAL CYCLES	24
7.11 CORROSION ALLOWANCE	24
8. SYSTEM EVALUATION.....	29
8.1 LEAKAGE	29
8.1.1 Leakage Impact - Normal Operation	29
8.1.2 Leakage Impact - Accident Conditions	29
8.1.3 Leakage Acceptance Criteria - LPCI Coupling	29
8.2 LPCI COUPLING PRESSURE DROP.....	30
8.3 IMPACT TO FLOW DISTRIBUTION.....	30
8.4 EMERGENCY OPERATING PROCEDURE (EOP) CALCULATIONS	30
8.5 POWER UPRATE	30
9. MATERIALS, FABRICATION AND INSTALLATION	31
9.1 MATERIALS	31
9.2 CREVICES.....	32
9.3 WELDING AND FABRICATION	32
9.4 PRE-INSTALLATION AS-BUILT INSPECTION	33
9.5 INSTALLATION CLEANLINESS	33
9.6 ALARA	34
9.7 QUALIFICATION OF CRITICAL DESIGN PARAMETERS	34
10. INSPECTION AND TESTING	37
10.1 INSPECTION ACCESS	37
10.2 PRE AND POST INSTALLATION INSPECTION	37
11. QUALITY ASSURANCE PROGRAM.....	39
12. DOCUMENTATION.....	41
13. REFERENCES.....	43
14. FIGURES.....	45
APPENDIX A - REPAIR CONCEPTS.....	63

Tables

TABLE 1: BWR/4/5 LPCI COUPLING MATERIALS & CONFIGURATION	6
TABLE 2: BWR/6 LPCI COUPLING MATERIALS AND CONFIGURATION.....	7
TABLE 3: LOAD COMBINATIONS FOR MARK I PLANTS.....	25
TABLE 4: LOAD COMBINATIONS FOR MARK II AND MARK III PLANTS.....	26
TABLE 5: LOAD TERM DEFINITIONS FOR TABLES 3 AND 4.....	27

Illustrations

FIGURE 1: TYPICAL LPCI COUPLING ARRANGEMENT - BWR/4/5	45
FIGURE 2: TYPICAL LPCI COUPLING - BWR/4/5.....	46
FIGURE 3: LPCI COUPLING DETAILS - BWR/4/5 THERMAL SHIELD.....	47
FIGURE 4: LPCI COUPLING DETAILS - BWR/4/5 SHROUD ATTACHMENT RING	48
FIGURE 5: LPCI COUPLING DETAILS - BWR/4/5 SLEEVE FLANGE - 1	49
FIGURE 6: LPCI COUPLING DETAILS - BWR/4/5 SLEEVE FLANGE 2	50
FIGURE 7: LPCI COUPLING DETAILS - BWR/4/5 CLAMP & EYE BOLT.....	51
FIGURE 8: LPCI COUPLING DETAILS - BWR/4/5 COUPLING SLEEVE.....	52
FIGURE 9: LPCI COUPLING DETAILS - BWR/4/5 BAFFLE ARRANGEMENT	53
FIGURE 10: LPCI COUPLING DETAILS - BWR/4/5 BAFFLE WELDS	54
FIGURE 11: TYPICAL LPCI COUPLING - BWR/6.....	55
FIGURE 12: TYPICAL LPCI COUPLING - BWR/6 GENERAL ARRANGEMENT	56
FIGURE 13: LPCI COUPLING - BWR/6 DETAILS.....	57
FIGURE 14: LPCI COUPLING - BWR/6 THERMAL SLEEVE.....	58
FIGURE 15: LPCI COUPLING - BWR/6 SHROUD ATTACHMENT FLANGE	59
FIGURE 16: LPCI COUPLING - BWR/6 COUPLING SLEEVE.....	60
FIGURE 17: LPCI COUPLING - BWR/6 FLOW DIVERTER	61
FIGURE 18: TYPICAL LPCI VESSEL NOZZLE BWR/4/5/6	62

Executive Summary

The Boiling Water Reactor Vessel and Internals Project (BWRVIP) was formed in June 1994 as a utility-directed initiative to address BWR vessel and internals issues. This criteria document was developed by the Repair Technical Subcommittee of the BWRVIP.

This document provides the general design acceptance criteria for temporary and permanent repair of BWR low pressure coolant injection (LPCI) couplings. It is provided to assist BWR owners in designing repairs which maintain the structural integrity of the LPCI coupling during normal operation and under postulated transient and design basis accident conditions for the remaining plant life or other service life as specified by the plant owner.

Issuance of this document is not intended to imply that repair of the LPCI coupling is the only viable method for resolving cracking in the components. Due to variation in the material, fabrication, environment and as-found condition of the individual LPCI couplings, repair is only one of several options that are available. The action to be taken for individual plants will be determined by the plant licensee.

1. INTRODUCTION

1.1 Background

Recently, the BWRVIP prepared a safety assessment of BWR internals [1]. As documented in this safety assessment, the low pressure coolant injection (LPCI) coupling is an internal component which can tolerate extensive degradation. The BWRVIP have also prepared generic inspection and evaluation guidelines [2] to assure the continued safety function integrity of the LPCI coupling. This repair design criteria has been developed to prepare for the potential situation in which a repair of an LPCI coupling is needed.

1.2 Purpose

The purpose of this document is to provide general design guidance and acceptance criteria for permanent and temporary repair of cracked or leaking LPCI couplings.

The issuance of this document is not intended to imply that a repair of the LPCI coupling is the only viable disposition of such cracking/degradation.

1.3 Scope

This document is applicable to General Electric BWR/4 through BWR/6 plants which plan to implement repairs to the LPCI coupling.

2. DEFINITIONS

Repair

Repair as used in the context of this document is a broad term that applies to actions taken to design, analyze, fabricate and install hardware that restores the structural and functional integrity of all or a portion of the LPCI coupling. Weld overlay, without removal of the defect, is also a repair in the context of this criteria. Similarly, full or partial replacement of the LPCI coupling is considered a repair option.

3. LPCI COUPLING CONFIGURATIONS AND SAFETY FUNCTIONS

3.1 General Physical Description

This section describes the various BWR LPCI couplings and their functions. The criteria of this report are generic in nature. Efforts have been taken to identify the various configurations, differences in materials, etc. between different plant types. However, it is the responsibility of the BWRVIP member utilities to verify their specific plant configurations for applicability with respect to the descriptions, materials, figures and tables given in this document.

3.1.1 Function of the LPCI Coupling

When in the Low Pressure Coolant Injection (LPCI) operating mode the Residual Heat Removal (RHR) System is part of the Boiling Water Reactor (BWR) Emergency Core Cooling System (ECCS). The purpose of the LPCI operating mode is to restore and maintain the desired water level inside the reactor shroud in the unlikely event of a loss of coolant accident (LOCA). The purpose of the LPCI coupling is to provide a hydraulic path through a flexible joint between the RHR/LPCI nozzle on the reactor vessel and the shroud cylinder in which low pressure core flooding water flows. This component is not generally used during normal operation. During a reactor safe shutdown operation, the LPCI mode can be used to provide the alternate shutdown cooling if the Shutdown Cooling mode of RHR System is unavailable due to loss of its normal suction path from the reactor.

The LPCI coupling is a reactor internal component with a safety function. LPCI couplings are applicable to newer BWR/4 plants, BWR/5 and BWR/6 plants.

3.1.2 LPCI Coupling in BWR/4 and BWR/5 Plants

The newer BWR/4 and the BWR/5 plants have essentially identical couplings. Typical coupling arrangement and details are shown in Figures 1 through 10. There are four coupling assemblies per newer BWR/4 plant and three coupling assemblies per BWR/5 plant. The internal piping arrangement in these plants discharges the flow into the shroud in the upper shroud region, at the top guide elevation. The coupling extends horizontally from the vessel to the shroud. The coupling sleeve is designed to be removable and is attached by V-groove band clamps to flanges fixed at the shroud and at the reactor pressure vessel (RPV) nozzle safe end/thermal sleeve. The coupling itself could be bellows-type or sleeve-type. However, due to susceptibility to IGSCC, the bellows-type couplings have been replaced with the sleeve type in all applicable plants in the United States (Bellows-type couplings exist in two plants outside of the United States). Bellows-type coupling assemblies have not been reviewed and are not included as part of this repair design criteria. A slip joint is located at each end of the coupling sleeve. Piston

ring seals are included at the flange/sleeve slip joints to minimize leakage flow. Stellite #6 is applied to the contact surface of the sleeve and the flange to provide a hard contact surface and facilitate relative motion at the contact. A typical baffle/channel arrangement exists inside the shroud which serves to direct the LPCI flow under the top guide and into the core area. Typical baffle arrangement is shown in Figures 9 and 10.

While the BWR/4/5 LPCI couplings are generally very similar, there are some differences in the design, fabrication conditions, and materials that exist in the different BWR/4/5s. The variations of the hardware configurations and materials among the BWR/4/5 plants are summarized in Table 1.

Table 1: BWR/4/5 LPCI Coupling Materials & Configuration

**Content Deleted -
EPRI Proprietary Information**

3.1.3 LPCI Coupling in BWR/6 Plants

There are three LPCI coupling assemblies per BWR/6 plant. Typical coupling arrangement and details are shown in Figures 11 through 17. The arrangement in the RPV-Shroud annulus consists of two elbows (the upper one connected to the RPV safe end and the lower one connected to the shroud) just below the flange which seats the top guide. The components connecting the two elbows include a fitting welded to the ends of the elbows and a sleeve coupling interface between the elbows, the ends of which are housed inside collars which are threaded to the fittings. This provides a slip joint at each end of the sleeve. Piston ring seals are included at the collar/sleeve slip joints to minimize leakage flow. Stellite #6 is applied to the contact surface of the sleeve and the

collar to provide hard contact surface and facilitate relative motion at the contact. In order to minimize flow-induced vibration effects, a strut is welded to the lower elbow, bracing it to the shroud. The injection point inside the shroud is directed to a location below the top guide grid. A flow diverter exists at the inlet inside the shroud, which consists of a flow directing splash plate with four legs welded to the shroud inner wall. The diverters were added because an optional return path during shutdown cooling uses the LPCI line. The diverters were added as a part of a modification designed to reduce the impact of flow induced vibration on the reactor internals during LPCI flow injection. A typical flow diverter is shown in Figure 17.

While the BWR/6 LPCI couplings are generally very similar, there are some differences in the design, fabrication conditions, and materials that exist in the different BWR/6s. The variations of the hardware configurations and materials among the BWR/6 plants is summarized in Table 2.

Table 2: BWR/6 LPCI Coupling Materials and Configuration

**Content Deleted -
EPRI Proprietary Information**

3.1.4 RHR LPCI Mode Vessel Nozzle

The configuration of the RHR LPCI Mode vessel nozzle are plant specific. One typical RHR LPCI Mode vessel nozzle is shown in Figure 18. In this typical nozzle an alloy 600 tuning fork safe end is used as a transition between the low alloy steel vessel nozzle and a carbon steel safe end extension which corresponds with the drywell piping. The 304 stainless steel nozzle thermal sleeve includes an alloy 600 extension piece which allowed the field weld of the thermal sleeve to the safe end to be made with similar metals.

3.2 Safety Design Bases

3.2.1 LPCI Coupling

**Content Deleted -
EPRI Proprietary Information**

3.2.2 Loose Parts

**Content Deleted -
EPRI Proprietary Information**

3.3 Event Analyses

The purpose of this document is to provide general design criteria for repair of the LPCI coupling. Accordingly, various events and operational conditions must be considered to ensure that the repair does not inhibit the ability of the LPCI coupling to perform their basic safety functions. The following general load cases shall be considered in the design of the proposed repair.

3.3.1 Normal Operation

**Content Deleted -
EPRI Proprietary Information**

3.3.2 Anticipated Operational Occurrences (Upset Conditions)

**Content Deleted -
EPRI Proprietary Information**

3.3.3 Design Basis Accidents (Emergency/Faulted Conditions)

**Content Deleted -
EPRI Proprietary Information**

3.3.4 Loading Combinations

**Content Deleted -
EPRI Proprietary Information**



4. SCOPE OF REPAIRS

The LPCI coupling repairs primarily address cracking and/or leaking in IGSCC susceptible stainless steel and nickel-chrome-iron alloy components of the LPCI coupling assembly. The scope of the LPCI coupling repair criteria includes: the vessel nozzle thermal sleeve, the flanges, the coupling itself, the elbows (BWR/6), extension sections, the shroud attachment hardware items illustrated in this report and the baffle/flow deflector.

5. DESIGN OBJECTIVES

5.1 Design Life

**Content Deleted -
EPRI Proprietary Information**

5.2 Safety Design Bases

**Content Deleted -
EPRI Proprietary Information**

5.3 Safety Analysis Events

**Content Deleted -
EPRI Proprietary Information**

5.4 Structural Integrity

**Content Deleted -
EPRI Proprietary Information**

5.5 Retained Flaw(s)

**Content Deleted -
EPRI Proprietary Information**

**Content Deleted -
EPRI Proprietary Information**

5.6 Loose Parts Considerations

**Content Deleted -
EPRI Proprietary Information**

5.7 Physical Interfaces with Other Reactor Internals

**Content Deleted -
EPRI Proprietary Information**

5.8 Installation Considerations

**Content Deleted -
EPRI Proprietary Information**

6. DESIGN CRITERIA

**Content Deleted -
EPRI Proprietary Information**

6.1 LPCI Coupling Design

**Content Deleted -
EPRI Proprietary Information**

6.2 Reconciliation With ASME Code Components

**Content Deleted -
EPRI Proprietary Information**

7. STRUCTURAL AND DESIGN EVALUATION

**Content Deleted -
EPRI Proprietary Information**

7.1 Load Definitions - Applied Loads

**Content Deleted -
EPRI Proprietary Information**

**Content Deleted -
EPRI Proprietary Information**

**Content Deleted -
EPRI Proprietary Information**

**Content Deleted -
EPRI Proprietary Information**

7.2 Service Level Conditions

**Content Deleted -
EPRI Proprietary Information**

**Content Deleted -
EPRI Proprietary Information**

7.3 Load Combinations

**Content Deleted -
EPRI Proprietary Information**

**Content Deleted -
EPRI Proprietary Information**

7.3.1 Mark I Plants

**Content Deleted -
EPRI Proprietary Information**

7.3.2 Mark II and III Plants

**Content Deleted -
EPRI Proprietary Information**

7.4 Functional Evaluation Criteria

**Content Deleted -
EPRI Proprietary Information**

**Content Deleted -
EPRI Proprietary Information**

7.5 Allowable Stresses

**Content Deleted -
EPRI Proprietary Information**

7.6 Flow Induced Vibration

**Content Deleted -
EPRI Proprietary Information**

7.7 Repair Impact on Existing Internal Components

**Content Deleted -
EPRI Proprietary Information**

7.8 Radiation Effects on Repair Design

**Content Deleted -
EPRI Proprietary Information**

7.9 Analysis Codes

**Content Deleted -
EPRI Proprietary Information**

7.10 Thermal Cycles

**Content Deleted -
EPRI Proprietary Information**

7.11 Corrosion Allowance

**Content Deleted -
EPRI Proprietary Information**

Table 3: Load Combinations for Mark I Plants

**Content Deleted -
EPRI Proprietary Information**

Table 4: Load Combinations for Mark II and Mark III Plants

**Content Deleted -
EPRI Proprietary Information**

Table 5: Load Term Definitions for Tables 3 and 4

**Content Deleted -
EPRI Proprietary Information**

8. System Evaluation

8.1 Leakage

**Content Deleted -
EPRI Proprietary Information**

8.1.1 Leakage Impact - Normal Operation

**Content Deleted -
EPRI Proprietary Information**

8.1.2 Leakage Impact - Accident Conditions

**Content Deleted -
EPRI Proprietary Information**

8.1.3 Leakage Acceptance Criteria - LPCI Coupling

**Content Deleted -
EPRI Proprietary Information**

**Content Deleted -
EPRI Proprietary Information**

8.2 LPCI Coupling Pressure Drop

**Content Deleted -
EPRI Proprietary Information**

8.3 Impact to Flow Distribution

**Content Deleted -
EPRI Proprietary Information**

8.4 Emergency Operating Procedure (EOP) Calculations

**Content Deleted -
EPRI Proprietary Information**

8.5 Power Uprate

**Content Deleted -
EPRI Proprietary Information**

9. Materials, Fabrication and Installation

9.1 Materials

**Content Deleted -
EPRI Proprietary Information**

**Content Deleted -
EPRI Proprietary Information**

9.2 Crevices

**Content Deleted -
EPRI Proprietary Information**

9.3 Welding and Fabrication

**Content Deleted -
EPRI Proprietary Information**

**Content Deleted -
EPRI Proprietary Information**

9.4 Pre-Installation As-Built Inspection

**Content Deleted -
EPRI Proprietary Information**

9.5 Installation Cleanliness

**Content Deleted -
EPRI Proprietary Information**

**Content Deleted -
EPRI Proprietary Information**

9.6 ALARA

**Content Deleted -
EPRI Proprietary Information**

9.7 Qualification of Critical Design Parameters

**Content Deleted -
EPRI Proprietary Information**

**Content Deleted -
EPRI Proprietary Information**

10. Inspection and Testing

10.1 Inspection Access

**Content Deleted -
EPRI Proprietary Information**

10.2 Pre and Post Installation Inspection

**Content Deleted -
EPRI Proprietary Information**

11. QUALITY ASSURANCE PROGRAM

**Content Deleted -
EPRI Proprietary Information**

12. Documentation

The following documentation shall be prepared and maintained by the utility as permanent records:

**Content Deleted -
EPRI Proprietary Information**

13. REFERENCES

- [1] EPRI Report TR-105707, "BWR Vessel and Internals Project, Safety Assessment of BWR Reactor Internals," (BWRVIP-06), October 1995.
- [2] EPRI Report TR-108726, "BWR Vessel and Internals Project, LPCI Coupling Inspection and Flaw Evaluation Guidelines (BWRVIP-42)," December 1997
- [3] EPRI Document 84-MG-18, "Nuclear Grade Stainless Steel Procurement, Manufacturing and Fabrication Guidelines", Rev. 2, January 1986
- [4] EPRI Document NP-7032, Material Specification for Alloy X-750 for Use in LWR Internal Components, Revision 1
- [5] Code Case N-516, "Underwater Welding Section XI, Division", Approved August 9, 1993

14. FIGURES

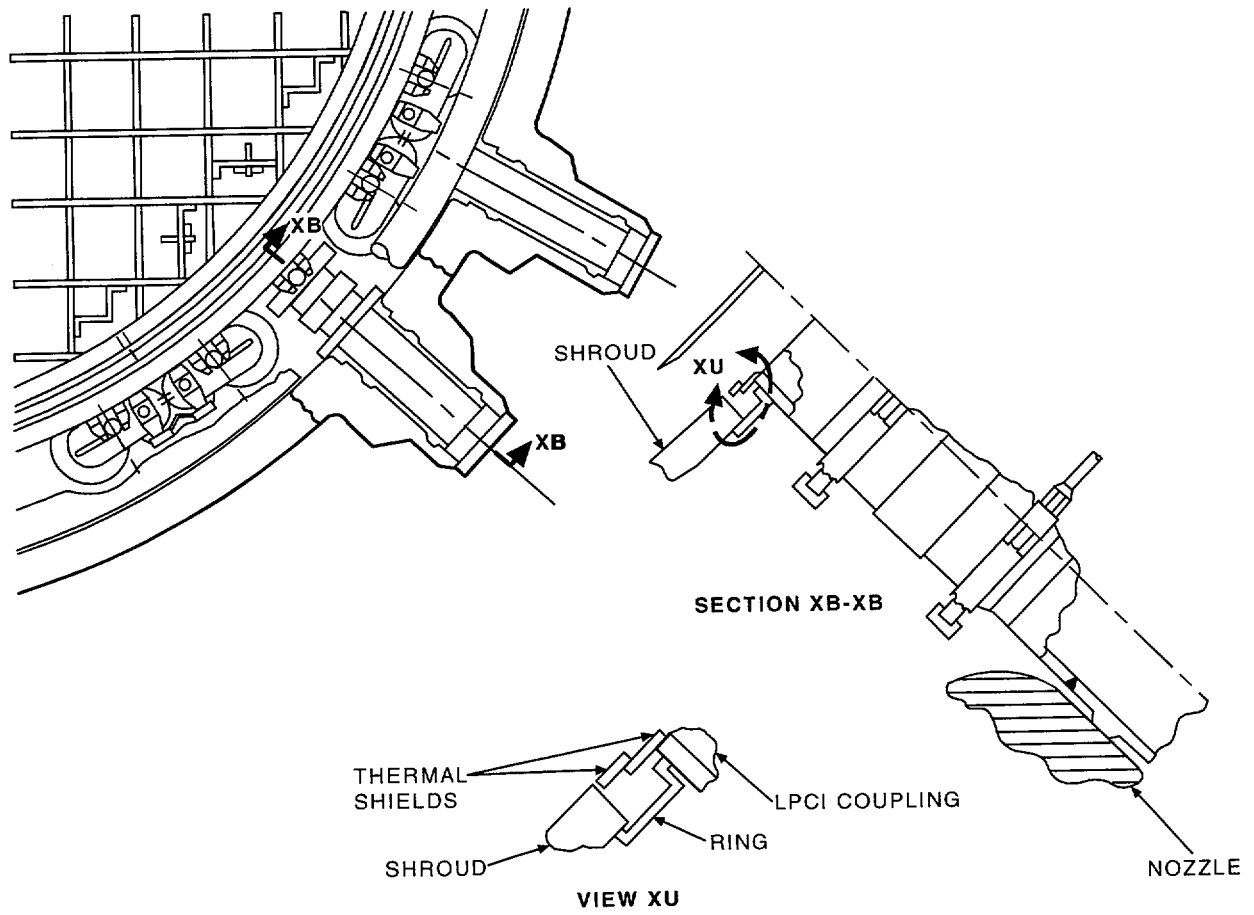


Figure 1: Typical LPCI Coupling Arrangement - BWR/4/5

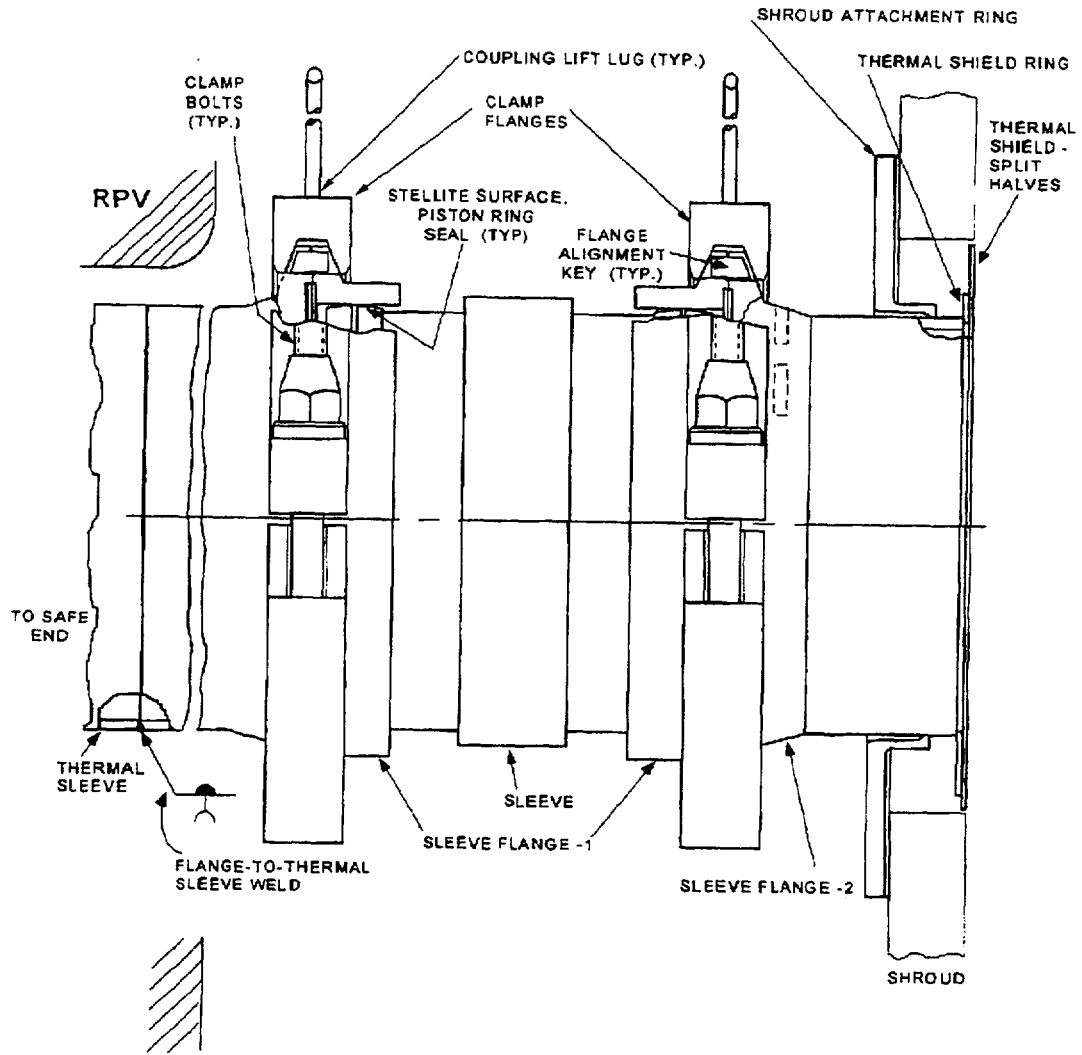


Figure 2: Typical LPCI Coupling - BWR/4/5

**Content Deleted -
EPRI Proprietary Information**

Figure 3: LPCI Coupling Details - BWR/4/5 Thermal Shield

**Content Deleted -
EPRI Proprietary Information**

Figure 4: LPCI Coupling Details - BWR/4/5 Shroud Attachment Ring

**Content Deleted -
EPRI Proprietary Information**

Figure 5: LPCI Coupling Details - BWR/4/5 Sleeve Flange - 1

**Content Deleted -
EPRI Proprietary Information**

Figure 6: LPCI Coupling Details - BWR/4/5 Sleeve Flange 2

**Content Deleted -
EPRI Proprietary Information**

Figure 7: LPCI Coupling Details - BWR/4/5 Clamp & Eye Bolt

**Content Deleted -
EPRI Proprietary Information**

Figure 8: LPCI Coupling Details - BWR/4/5 Coupling Sleeve

**Content Deleted -
EPRI Proprietary Information**

Figure 9: LPCI Coupling Details - BWR/4/5 Baffle Arrangement

**Content Deleted -
EPRI Proprietary Information**

Figure 10: LPCI Coupling Details - BWR/4/5 Baffle Welds

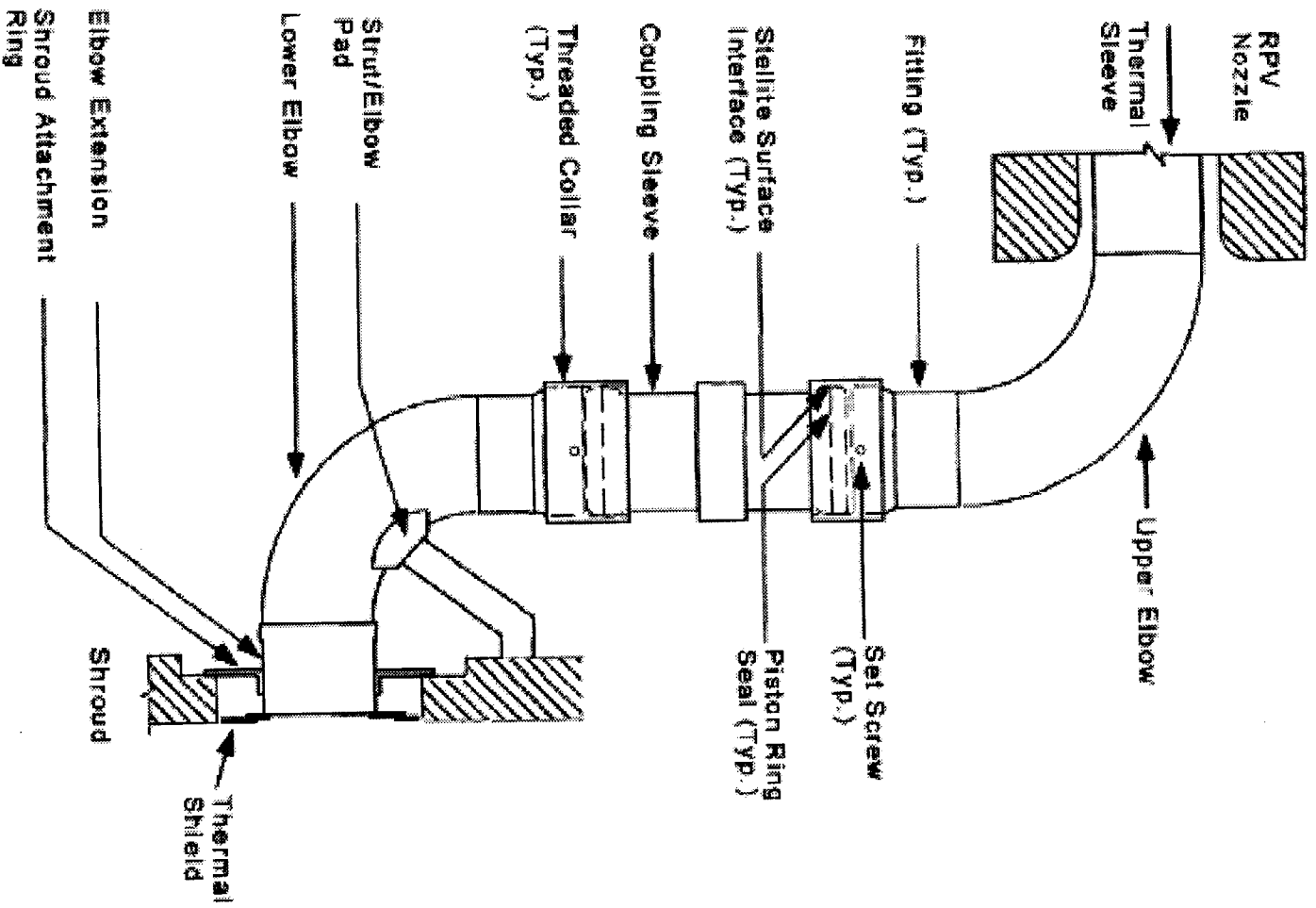


Figure 11: Typical LPCI Coupling - BWR/6

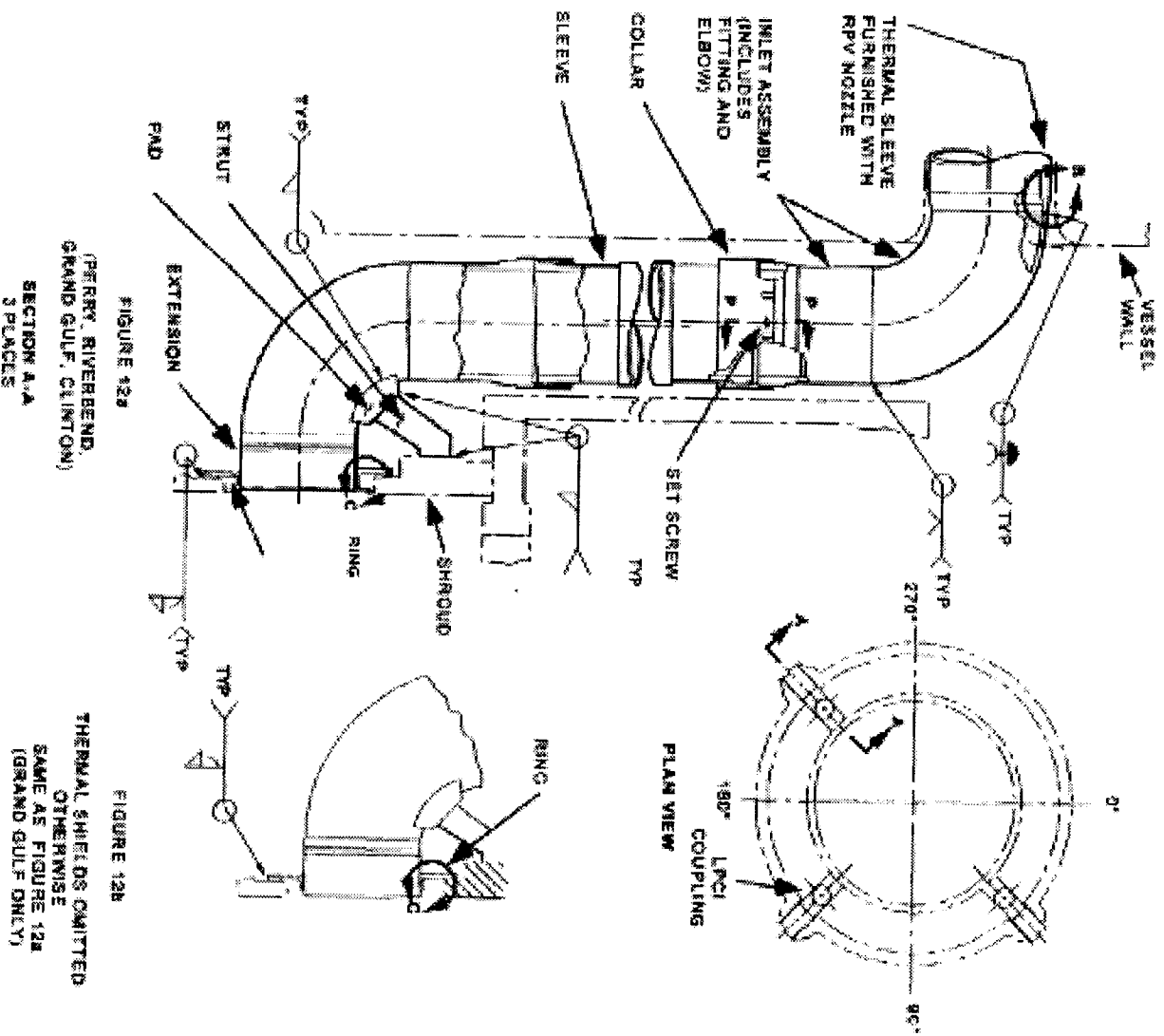


Figure 12: Typical LPCI Coupling - BW/R6 General Arrangement

**Content Deleted -
EPRI Proprietary Information**

Figure 13: LPCI Coupling - BWR/6 Details

**Content Deleted -
EPRI Proprietary Information**

Figure 14: LPCI Coupling - BWR/6 Thermal Sleeve

**Content Deleted -
EPRI Proprietary Information**

Figure 15: LPCI Coupling - BWR/6 Shroud Attachment Flange

**Content Deleted -
EPRI Proprietary Information**

Figure 16: LPCI Coupling - BWR/6 Coupling Sleeve

**Content Deleted -
EPRI Proprietary Information**

Figure 17: LPCI Coupling - BWR/6 Flow Diverter

**Content Deleted -
EPRI Proprietary Information**

Figure 18: Typical LPCI Vessel Nozzle BWR/4/5/6

APPENDIX A - REPAIR CONCEPTS

There have been no known failures of BWR LPCI couplings and there are no known documented specific repair concepts. However, some concepts which might be applicable are discussed below.

**Content Deleted -
EPRI Proprietary Information**


Target:
Nuclear Power

About EPRI

EPRI creates science and technology solutions for the global energy and energy services industry. U.S. electric utilities established the Electric Power Research Institute in 1973 as a nonprofit research consortium for the benefit of utility members, their customers, and society. Now known simply as EPRI, the company provides a wide range of innovative products and services to more than 1000 energy-related organizations in 40 countries. EPRI's multidisciplinary team of scientists and engineers draws on a worldwide network of technical and business expertise to help solve today's toughest energy and environmental problems.

EPRI. Powering Progress

© 2000 Electric Power Research Institute (EPRI), Inc. All rights reserved. Electric Power Research Institute and EPRI are registered service marks of the Electric Power Research Institute, Inc. EPRI. POWERING PROGRESS is a service mark of the Electric Power Research Institute, Inc.

 Printed on recycled paper in the United States of America

TR-108717