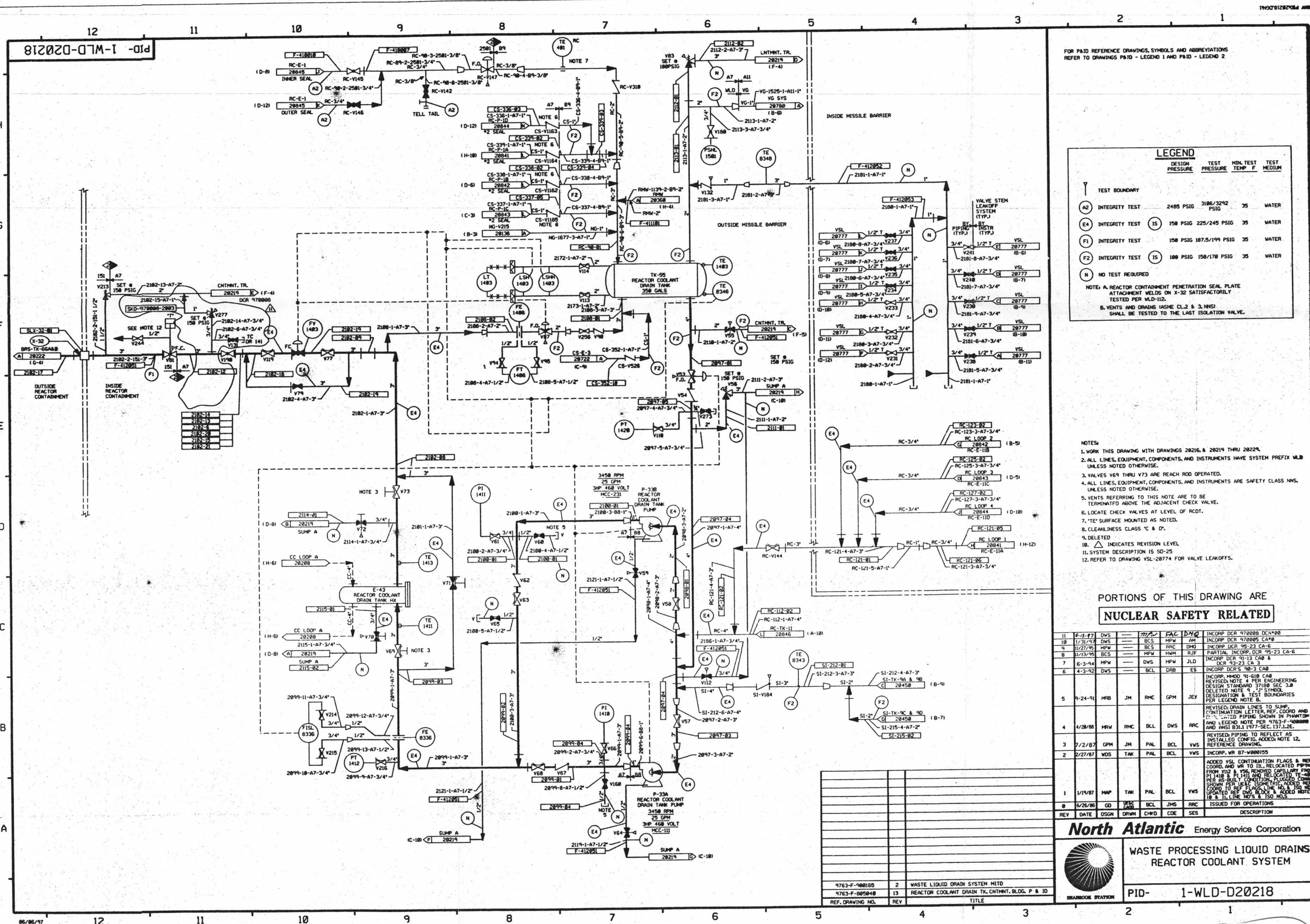


FOR INFORMATION ONLY



FOR PAID REFERENCE DRAWINGS, SYMBOLS AND ABBREVIATIONS REFER TO DRAWINGS PAID - LEGEND 1 AND PAID - LEGEND 2

TEST BOUNDARY	DESIGN PRESSURE	TEST PRESSURE	MIN. TEST TEMPERATURE	TEST MEDIUM
(A2)	2485 PSIG	3186/3242 PSIG	35	WATER
(E4)	150 PSIG	225/245 PSIG	35	WATER
(F1)	100 PSIG	187.5/199 PSIG	35	WATER
(F2)	100 PSIG	150/170 PSIG	35	WATER
(N)	NO TEST REQUIRED			

NOTE: A. REACTOR CONTAINMENT PENETRATION SEAL PLATE ATTACHMENT WELDS ON X-32 SATISFACTORILY TESTED PER MLD-112.  
B. VENTS AND DRAINS WASH CL 2 & 3. NPS SHALL BE TESTED TO THE LAST ISOLATION VALVE.

- NOTES
1. WORK THIS DRAWING WITH DRAWINGS 28216 & 28219 THRU 28226.
  2. ALL LINES, EQUIPMENT, COMPONENTS, AND INSTRUMENTS HAVE SYSTEM PREFIX MLD UNLESS NOTED OTHERWISE.
  3. VALVES V69 THRU V73 ARE REACH ROD OPERATED.
  4. ALL LINES, EQUIPMENT, COMPONENTS, AND INSTRUMENTS ARE SAFETY CLASS NWS, UNLESS NOTED OTHERWISE.
  5. VENTS REFERRING TO THIS NOTE ARE TO BE TERMINATED ABOVE THE ADJACENT CHECK VALVE.
  6. LOCATE CHECK VALVES AT LEVEL OF RCOT.
  7. 'TE' SURFACE MOUNTED AS NOTED.
  8. CLEANLINESS CLASS 'C' & 'D'.
  9. DELETED.
  10. Δ INDICATES REVISION LEVEL.
  11. SYSTEM DESCRIPTION IS DS-25.
  12. REFER TO DRAWING VSL-28774 FOR VALVE LEAKOFFS.

PORTIONS OF THIS DRAWING ARE  
**NUCLEAR SAFETY RELATED**

REV	DATE	DSGN	DRWN	CHKD	CODE	SES	DESCRIPTION
11	6/8/72	DWS					INCCORP DCR 978088 DCN#908
10	1/31/72	DWS					INCCORP DCR 978085 CA#8
9	11/27/66	MPW					INCCORP DCR 99-23 CA-6
8	11/13/65	BES					PARTIAL INCCORP DCR 99-23 CA-6
7	6-3-64	MPW					INCCORP DCR 91-13 CAB & DCR 93-23 CA-3
6	4-3-62	DWS					INCCORP DCR 5-90-3 CAB
5	4-24-61	HRB	JM	RMC	GPM	JEY	INCCORP 4400 91-618 CAB REVISED NOTE 4 PER ENGINEERING DESIGN STANDARD 37180 SEC 3.8 DELETED NOTE 9, 11 SYMBOL DESIGNATION & TEST BOUNDARIES PER LEGEND NOTE B.
4	4/28/58	HRW	RMC	BCL	DWS	RRC	REVISED DRAIN LINES TO SUMP, CONTINUOUS LETTER REF. COORD AND 7.11-LOUCD PIPING SHOWN IN PHANTOM AND LEGEND NOTE PER 4763-F-000800 AND ANSI B31.1 (1972) SEC. 137.1.2E
3	7/2/67	GPM	JM	PAL	BCL	VWS	REVISED PIPING TO REFLECT AS INSTALLED CONFIG. ADDED NOTE 12, REFERENCE DRAWING.
2	2/27/67	WDS	TAK	PAL	BCL	VWS	INCCORP WR 67-4000155
1	1/1/67	MWP	TAK	PAL	BCL	VWS	ADDED VSL CONTINUATION FLAGS & REF. COORD. AND WR TO ILL. RELOCATED PIPING FROM ILL & VSL REFINED CAPILLARY FROM ILL FOR BUILD POSITION. ADDED CONF. COORD TO REF. COORD. IN ILL. ALL 150 AND 200 LB LINE TAGS & ISO TAGS
0	6/26/66	GD	SSS	BCL	JMS	RRC	ISSUED FOR OPERATIONS
REV	DATE	DSGN	DRWN	CHKD	CODE	SES	DESCRIPTION

**North Atlantic Energy Service Corporation**

WASTE PROCESSING LIQUID DRAINS  
REACTOR COOLANT SYSTEM

PID- 1-WLD-D20218

*D-76*