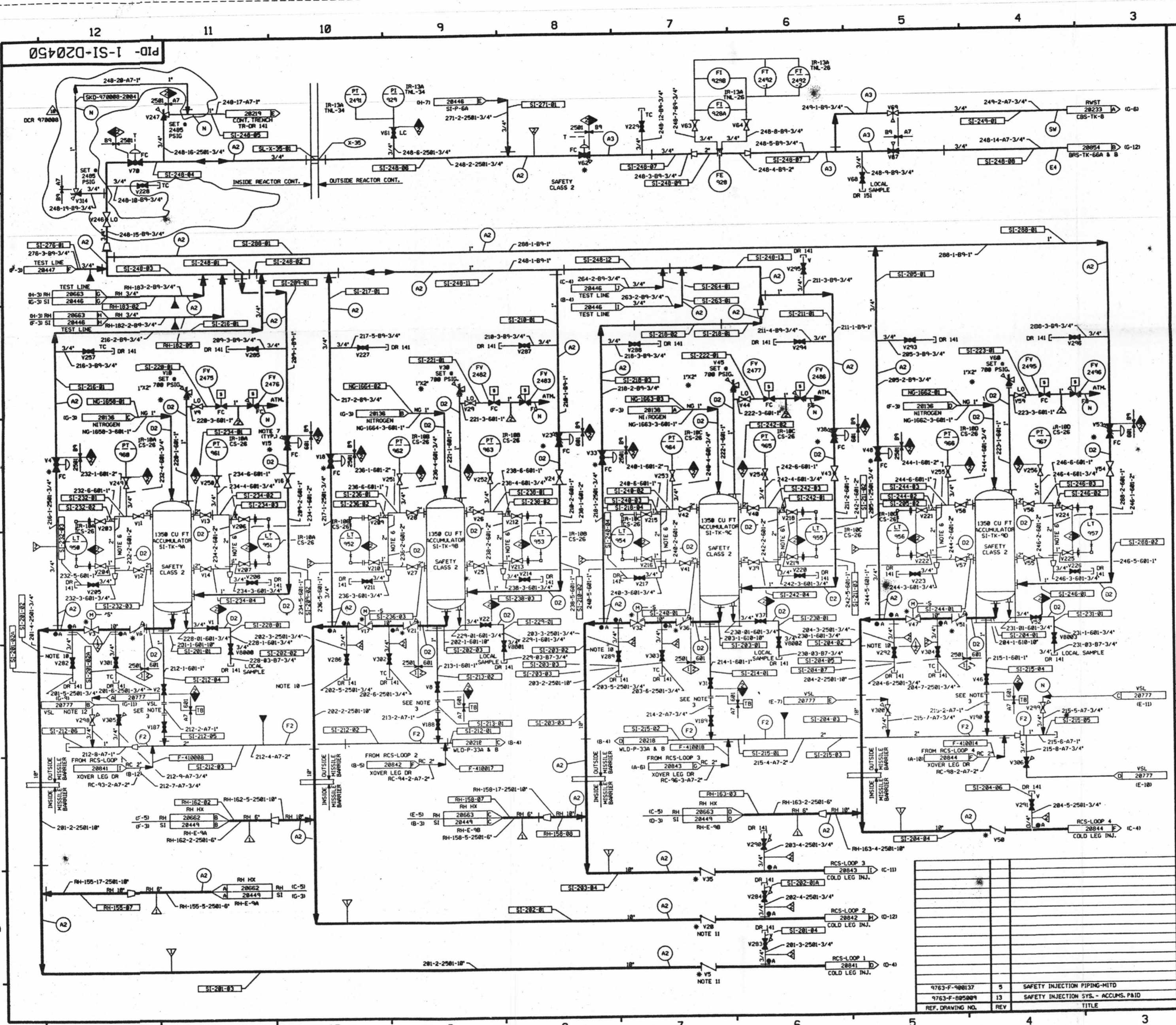


FOR INFORMATION ONLY



FOR PAID REFERENCES DRAWINGS, SYMBOLS AND ABBREVIATIONS REFER TO DRAWINGS PAID-LEGEND 1 AND PAID - LEGEND 2.

DESIGN SYMBOL	DESIGN PRESSURE	TEST PRESSURE	MIN. TEST TEMP °F	TEST MEDIUM
(Symbol)				
A2	2488 PSIG	3188/3292 PSIG	35	WATER
A3	2485 PSIG	3727.5/3951 PSIG	35	WATER
A4	788 PSIG	875/927.5 PSIG	35	WATER
F2	108 PSIG	158/178 PSIG	35	WATER
SW				NO TESTING WATER
N				NO TEST REQUIRED

NOTES:
A. VENTS AND DRAINS (ASME CL. 2 & 3, NMS) SHALL BE TESTED TO THE LAST ISOLATION VALVE.

- NOTES:
- ALL LINES, EQUIPMENT, COMPONENTS AND INSTRUMENTS HAVE SYSTEM PREFIX UNLESS NOTED OTHERWISE.
 - WORK THIS DRAWING WITH DRAWINGS 28445 THRU 28449.
 - ACCUMULATOR DRAIN TO BE PROVIDED WITH BLIND FLANGE, SPOOL PIECE TO BE INSTALLED ONLY WHEN ACCUMULATOR IS TO BE DRAINED.
 - DELETED
 - DELETED
 - 6.6" MINIMUM STAMPIPE TO BE PROVIDED BY A/E WITH MARK INDICATING NORMAL WATER LEVEL AS DEFINED IN THE PLANT SIGHTPOINT DOCUMENT. LEVEL TRANSMITTER TAPS ARE LOCATED 6 INCHES ABOVE AND BELOW THE SCRIBE MARK.
 - * INDICATES VALVE SUPPLIED BY VESTINGHOUSE.
 - BA INDICATES 3/8" FLOW RESTRICTOR INSTALLED. SEE APPLICABLE DETAIL ON Dwg RC-29846.
 - PIPING SCHEDULE 148 MUST BE ADHERED TO DUE TO SAFETY ANALYSIS FLOW REQUIREMENTS.
 - DELETED
 - DELETED
 13. CLEANLINESS CLASS 'B'.
 - DELETED
 15. SYSTEM DESCRIPTION NUMBER IS NAA/ANCH 204
 16. VENT DRAIN & TEST CONN. CODE BREAKS ARE AT THE DOWNSTREAM END OF THE OUTER ISOLATION VALVE PER I-88/511 UNLESS NOTED OTHERWISE.
 17. △ INDICATES REVISION LEVEL.

PORTIONS OF THIS DRAWING ARE
NUCLEAR SAFETY RELATED

REV	DATE	DSGN	DRWN	CHKD	CODE	SES	DESCRIPTION
1	18/4/86	BCL	TAK	MWP	YJK	PRC	ISSUED FOR OPERATIONS
8	2/24/86	OPD	BSG	VJS	JMS	RRC	ADDED INTD REF. DIAL. REV. PIPING ERECTION 150 (DELETED TEST LINE, CORRECTED INSTRUMENT MOUNTING, ADDED TEST DATA PER MITL, ADDED NOTE 15. ADDED NOTE 16.
2	1/30/87	JDM	DWS	HRJ	BCL	VWS	ADDED DWG. LOCATION COORD. ADDED INTD REF. DIAL. REV. PIPING ERECTION 150 (DELETED TEST LINE, CORRECTED INSTRUMENT MOUNTING, ADDED TEST DATA PER MITL, ADDED NOTE 15. ADDED NOTE 16.
3	7/28/87	GPM	HIV	DWS	BCL	VWS	ADDED DWG. LOCATION COORD. ADDED INTD REF. DIAL. REV. PIPING ERECTION 150 (DELETED TEST LINE, CORRECTED INSTRUMENT MOUNTING, ADDED TEST DATA PER MITL, ADDED NOTE 15. ADDED NOTE 16.
4	12/15/87	GPM	RHC	DWS	BCL	PAE	ADDED DWG. LOCATION COORD. ADDED INTD REF. DIAL. REV. PIPING ERECTION 150 (DELETED TEST LINE, CORRECTED INSTRUMENT MOUNTING, ADDED TEST DATA PER MITL, ADDED NOTE 15. ADDED NOTE 16.
5	6/29/88	HRB	JM	APL	PAL	RRC	ADDED DWG. LOCATION COORD. ADDED INTD REF. DIAL. REV. PIPING ERECTION 150 (DELETED TEST LINE, CORRECTED INSTRUMENT MOUNTING, ADDED TEST DATA PER MITL, ADDED NOTE 15. ADDED NOTE 16.

North Atlantic Energy Service Corporation
 SAFETY INJECTION SYSTEM
 LOW HEAD INJECTION (ACCUMULATORS)
 DETAIL

PID- 1-SI-D20450

06/06/97

D-68