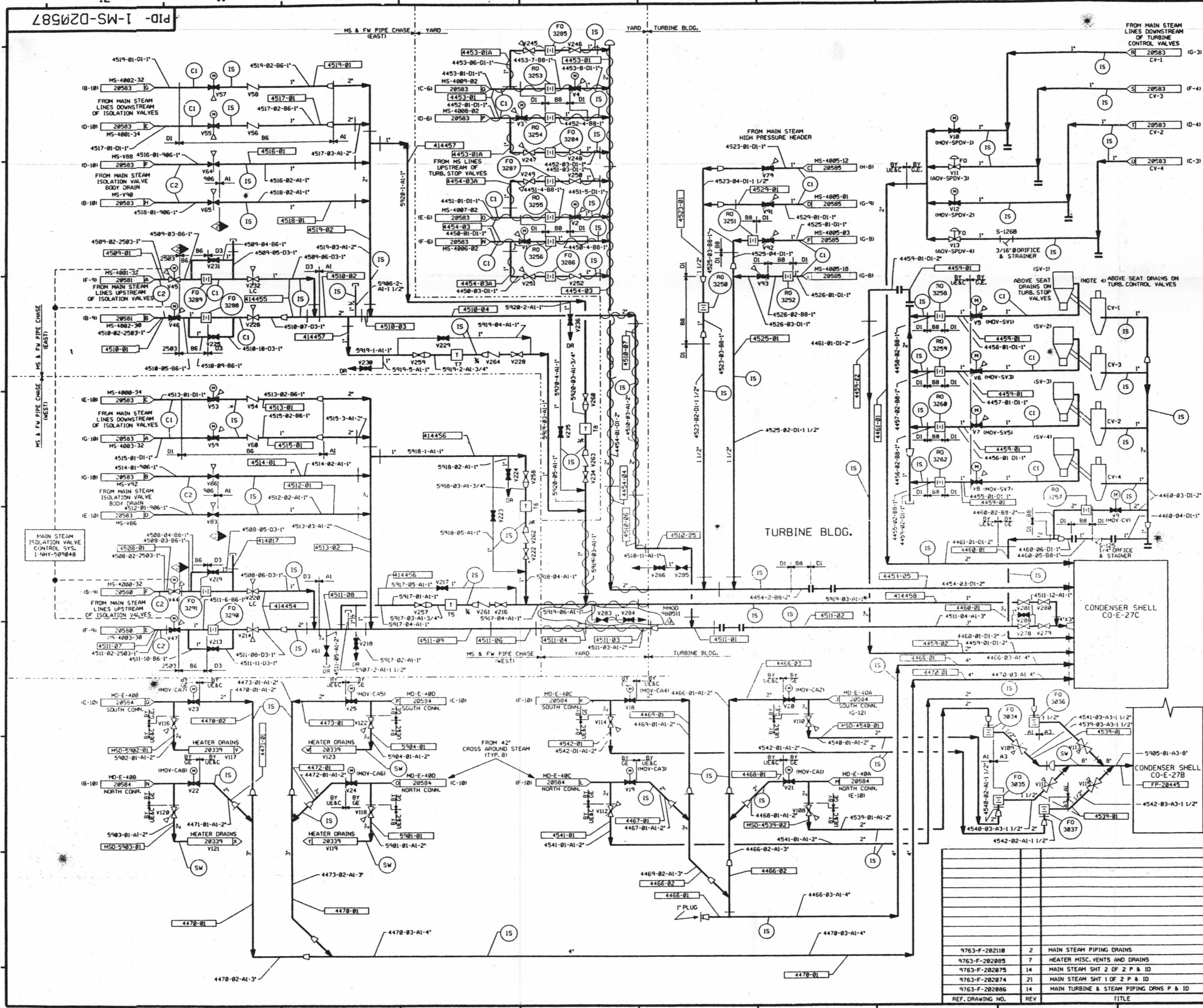


FOR INFORMATION ONLY



FOR PAID REFERENCE DRAWINGS, SYMBOLS AND ABBREVIATIONS REFER TO DRAWINGS PAID - LEGEND 1 AND PAID - LEGEND 2

LEGEND

DESIGN	TEST	NIL TEST	TEST
Pressure	Pressure	Temp °F	Temp °F
Pressure	Pressure	Temp °F	Temp °F
Pressure	Pressure	Temp °F	Temp °F

[Symbol] TEST BOUNDARY
 [Symbol] TEMPORARY TEST BOUNDARY
 [Symbol] INTEGRITY TEST 1185 PSIG 1778/1885 PSIG 35 WATER
 [Symbol] INTEGRITY TEST 1185 PSIG 148/1578 PSIG 35 WATER
 [Symbol] STANDING WATER
 [Symbol] INITIAL SERVICE
 NOTE: A. VENTS & DRAINS WITH CAPS/BLIND FLANGES ETC. SHALL BE TESTED TO THE LAST ISOLATION VALVE.

PORTIONS OF THIS DRAWING ARE NUCLEAR SAFETY RELATED

- NOTES
1. WORK THIS DRAWING WITH DRAWINGS 0579 THRU 20586.
 2. ALL LINES, EQUIPMENT, COMPONENTS AND INSTRUMENTS HAVE SYSTEM PREFIX NMS, UNLESS NOTED OTHERWISE.
 3. ALL LINES, EQUIPMENT, COMPONENTS AND INSTRUMENTS ARE SAFETY CLASS NMS, UNLESS NOTED OTHERWISE.
 4. MAIN STEAM CONTROL & STOP VALVES ARE SHOWN ON DRAWING 20583.
 5. I.D.E. VALVE IDENTIFICATION
 6. CLEANLINESS CLASS "C"
 7. DELETED
 8. DELETED
 9. S.D. NO. IS S.D.-3
 10. Δ INDICATES REVISION LEVEL

REV	DATE	DSGN	DRWN	CHKD	COE	SES	DESCRIPTION
12	9/2/99	BCS	---	AW	DCS	---	INCORP HMOO 98551 DCN*00
11	4/23/99	DWS	---	BCS	RWS	MKC	PARTIAL INCORP HMOO 98551 DCN*00
10	6/22/98	DRS	---	BCS	MPW	VMS	INCORP HMOO 97-521 DCN 00 & 02
9	3/21/95	HRB	---	DWS	BCL	SD	INCORP DCR 92886 (CAPITER 930828 CA#3 & ADDED LINE NUMBER PER REFERENCE 152)
8	1/21/93	HRB	---	BCL	JEV	RRC	INCORP HMOO'S 98-633 CAB1 AND 97-919 CAB2
7	9/23/91	GPM	JM	FCB	HMR	RSG	INCORP DCR'S 98-38 CAB3 & 98-32 CAB
6	5/21/90	HRB	RHC	JM	BCL	IM	RE-INCORPORATED HMOO 98-577 CA 0
5	5/15/90	HRB	RHC	JM	APL	RSH	INCORP HMOO 98-577 CA 0
4	2/5/90	HRB	JM	APL	RSG	IM	INCORPORATED DCR 89-34, CAB0
3	2/24/89	HRB	RHC	PAL	APL	WFO	INCORPORATED DCR 88-94, CAB0 AND DCR 87-4 CAB
2	1/28/88	MPW	RHC	BCL	GPM	RRC	REVISED LINE NO. PER UE & C P & ID REVISION LEGEND NOTE A PER ANSI B31.1 1977 SEC 137.1.2 DELETED BR SYMBOL & NOTE B.
1	6/26/87	JOM	HIM	PAL	BCL	RRC	REVISED TIE-IN PER F-41407.
0	9/2/86	TAK	LEL	MAP	BCL	RRC	INCORP DCR 86-714 REYNOTE 3A & LEGEND NOTE PER ANSI B31.1 1977 SEC 137.1.2 DELETED BR SYMBOL & NOTE B.

North Atlantic Energy Service Corporation

SEABROOK STATION

MAIN STEAM SYSTEM MAIN STEAM DRAINS DETAIL

PID- 1-MS-D20587

REF. DRAWING NO.	REV	TITLE
9763-F-282110	2	MAIN STEAM PIPING DRAINS
9763-F-282085	7	HEATER MISC. VENTS AND DRAINS
9763-F-282075	14	MAIN STEAM SHT 2 OF 2 P & ID
9763-F-282074	21	MAIN STEAM SHT 1 OF 2 P & ID
9763-F-282086	14	MAIN TURBINE & STEAM PIPING ORNS P & ID

D-49