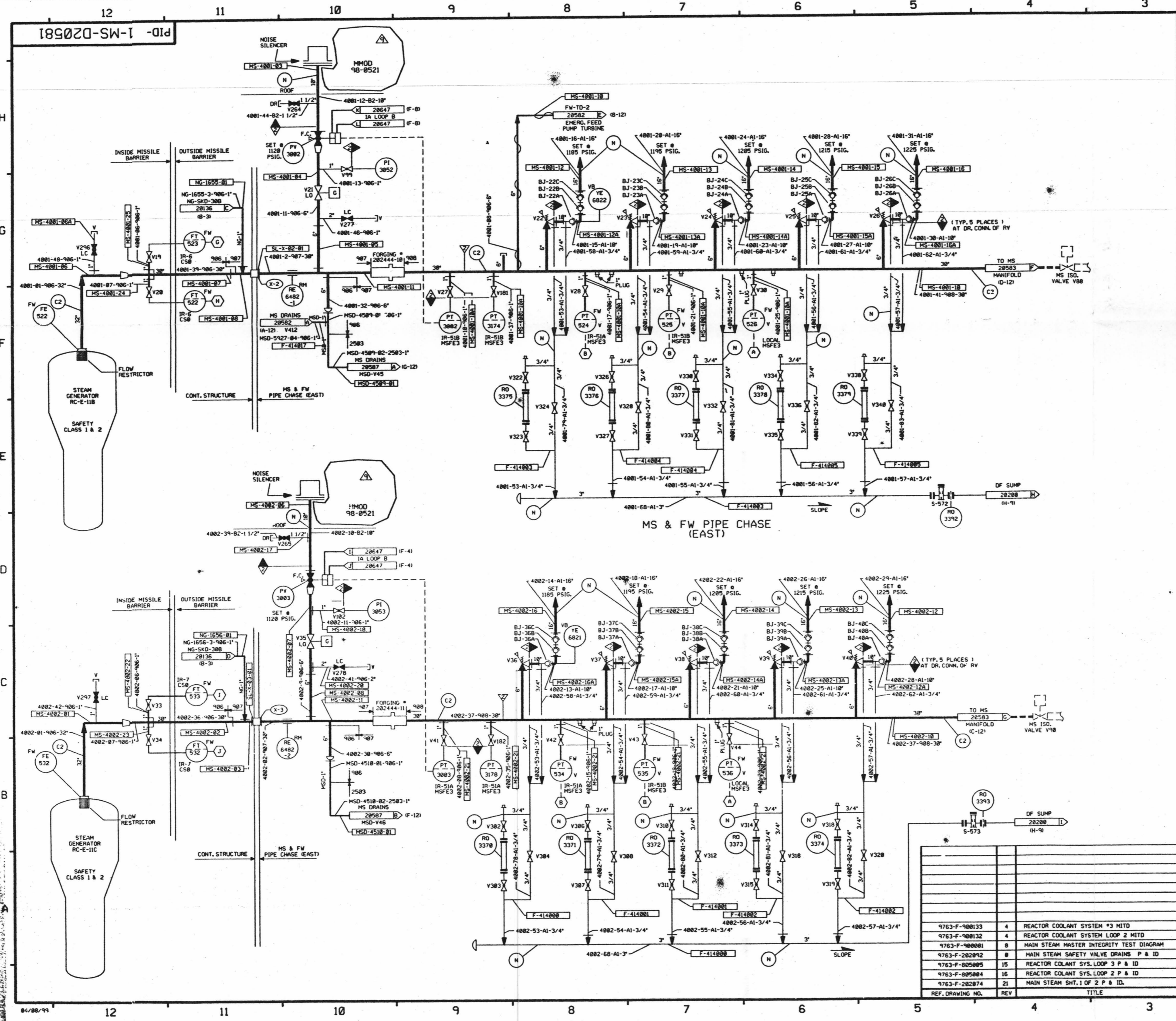


FOR INFORMATION ONLY



FOR PAID REFERENCE DRAWINGS, SYMBOLS AND ABBREVIATIONS REFER TO DRAWINGS PAID - LEGEND 1 AND PAID - LEGEND 2

LEGEND				
DESIGN	TEST	MIN. TEST	TEST	
PRESSURE	PRESSURE	TEMP °F	MEDIUM	
TEST BOUNDARY				
TEMPORARY TEST BOUNDARY				
(C1)	INTEGRITY TEST	1185 PSIG	1778/1805 PSIG	SEE NOTE 5 D.M. WATER
(C2)	INTEGRITY TEST	1185 PSIG	1481/1578 PSIG	SEE NOTE 5 D.M. WATER
(SW)	STANDING WATER			
(IS)	INITIAL SERVICE		N.O.P.	
(N)	NO TEST REQUIRED			
NOTES				
A. VENTS AND DRAINS WITH CAPS/BLIND FLANGES ETC. W/SH CL 2 & 3 SHALL BE TESTED UP TO THE LAST ISOLATION VALVE.				
B. MINIMUM TEST TEMP. OF 180°F IS REQUIRED FOR ALL NOMINAL PIPE DIAMETERS GREATER THAN 12" OR PIPE HAVING A WALL THICKNESS OF 5/16".				

- NOTES:
- WORK THIS DRAWING WITH DRAWINGS 20574, 20580, 20562 THRU 20567.
 - ALL LINES, EQUIPMENT, COMPONENTS AND INSTRUMENTS HAVE SYSTEM PREFIX MS, UNLESS NOTED OTHERWISE.
 - VENTS, DRAINS AND TEST CONNECTION CODE BREAKS ARE AT THE DOWN STREAM END OF THE OUTER ISOLATION VALVE PER I-MH-90611 UNLESS NOTED OTHERWISE.
 - INSTRUMENT REFERENCES:
 - (A) STEAM PRESSURE PROTECTION SYSTEM
 - (B) STEAM PRESSURE MISMATCH SYSTEM
 - (C) TO I-FW-LT-952, LT-502 & LT-4328 ON DWG. I-FW-20686
 - (H) TO I-FW-LT-529 ON DWG. I-FW-20686
 - (I) TO I-FW-LT-4338, LT-538 & LT-503 ON DWG. I-FW-20686
 - (J) TO I-FW-LT-537, LT-4338 ON DWG. I-FW-20686
 - DELETED
 - CLEANLINESS CLASS "C"
 - DELETED
 - INDICATES REVISION LEVEL
 - SYSTEM DESCRIPTION IS SD-3

PORTIONS OF THIS DRAWING ARE NUCLEAR SAFETY RELATED

REV	DATE	BY	CHKD	APP	DESCRIPTION		
9	4/7/79	PLS	ES	DLS	INCORP MHOD 98 0521 DCN 88		
8	3/28/79	HPW	BCL	DWS	INCORP MHOD 96-958 DCN 81		
7	11/3/78	BCL	HPW	MHN	INCORP DCR 95-32 CA-8, DCR 95-24 CA-8		
6	11/24/74	DWS	HPW	BCL	INCORP MHOD 930545 CA-8		
5	4/14/72	MRB	DWS	BCL	INCORP MHOD 91-515 CA-8		
4	10/9/70	GPM	FCB	JM	INCORP DCR 87-178 CA 02. DELETED NOTE 8. DELETED NOTES 5 & 7.		
3	2/2/70	MRB	FCB	APL	INCORP DCR 87-178 CA 02. DELETED NOTE 8. DELETED NOTES 5 & 7.		
2	9/8/69	HPW	RMC	GPH	ADDED REFERENCE DRAWINGS PAID LEGEND NOTES 8 & 9. REF. CONT. COORD. AND CONT. OF DRAIN LINES TO OF SUMP. REVISED LEGEND NOTE PER 9763-F-900000, NOTE 3 OF ETEIN CLASS DRAW.		
1	9/26/68	MRJ	DWS	BCL	INCORP ECA 19/3783A, 88/113712B & 82/887C. REVISED BUILDING BOUNDARY, CONTINUATION REFERENCES & ADDED FORGING TAG NUMBERS.		
0	7/18/66	TAK	MRB	BCL	ISSUED FOR OPERATIONS		
		DESIGN	DRAWN	CHKD	CODE	SES	DESCRIPTION

North Atlantic Energy Service Corporation

MAIN STEAM SYSTEM
MAIN STEAM HEADERS
DETAIL

SEABROOK STATION PID- 1-MS-D20581

REF. DRAWING NO.	REV	TITLE
9763-F-900133	4	REACTOR COOLANT SYSTEM #3 MITD
9763-F-900132	4	REACTOR COOLANT SYSTEM LOOP 2 MITD
9763-F-900001	0	MAIN STEAM MASTER INTEGRITY TEST DIAGRAM
9763-F-202092	0	MAIN STEAM SAFETY VALVE DRAINS P & ID
9763-F-805005	15	REACTOR COOLANT SYS. LOOP 3 P & ID
9763-F-805004	16	REACTOR COOLANT SYS. LOOP 2 P & ID
9763-F-202274	21	MAIN STEAM SHT. 1 OF 2 P & ID

D-46