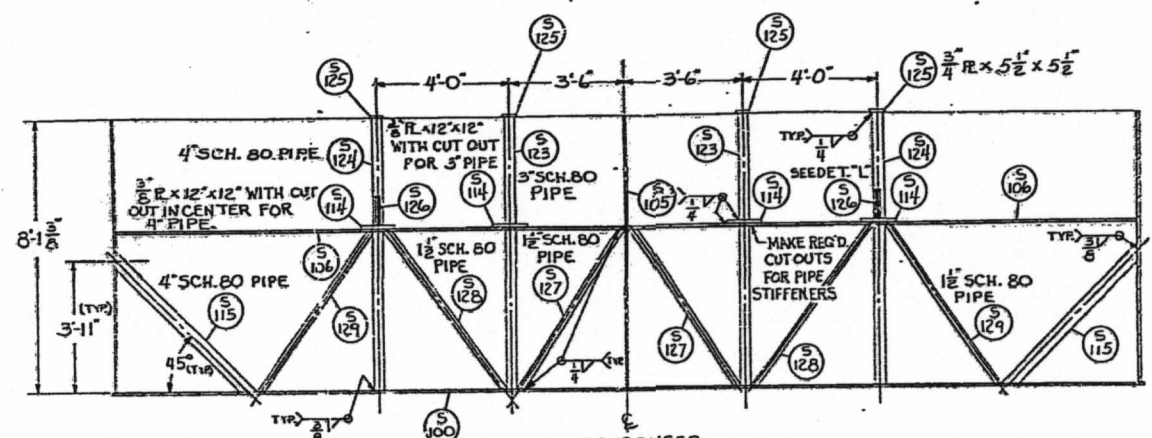


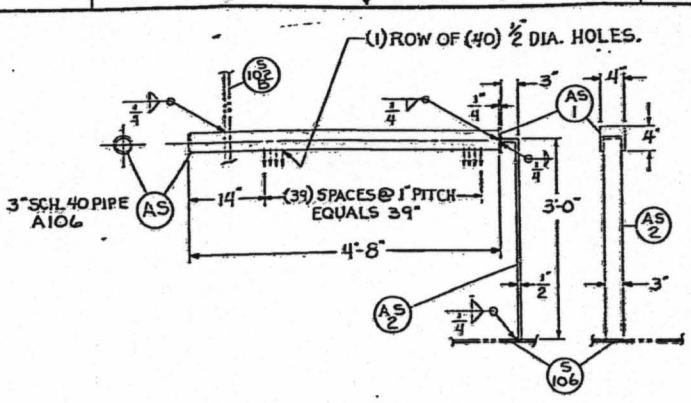
ALT.	DATE	REVISION	BY	CHK.
A	11/3/61	REVISED DETAIL "W"; SECTION "AB-AB" AND DETAIL "AC" AND SECTION "AD-AD"	SEC.	W.R.
B	2/25/70	ADDED DETAIL "AE" AND EC. NO. 515. ALSO DETAIL "AG" AND EC. NO. 5157 & 5158.	SEC.	W.R.

EXPIRES ON
 STOP MAR 27 2000 STOP
 NON-CONTROLLED PRINT

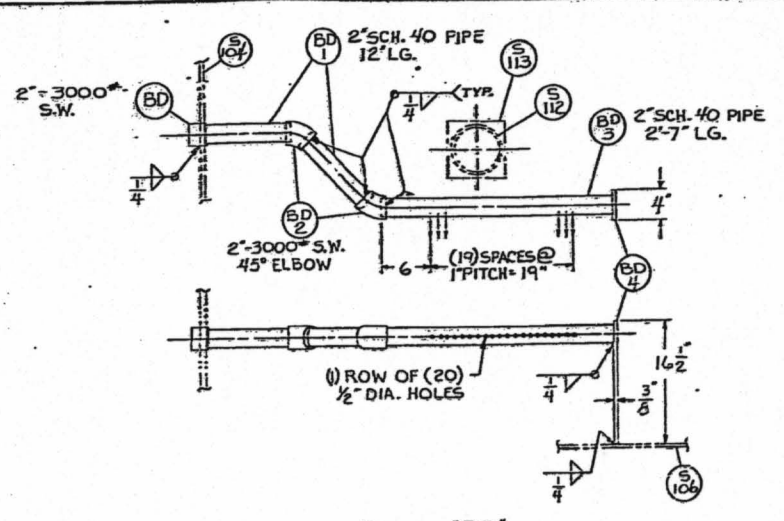


NOTE:
 TRUSS ARRANGEMENT ABOVE THE SAME IN SHELL 1B & 1A IN (2) PLACES.

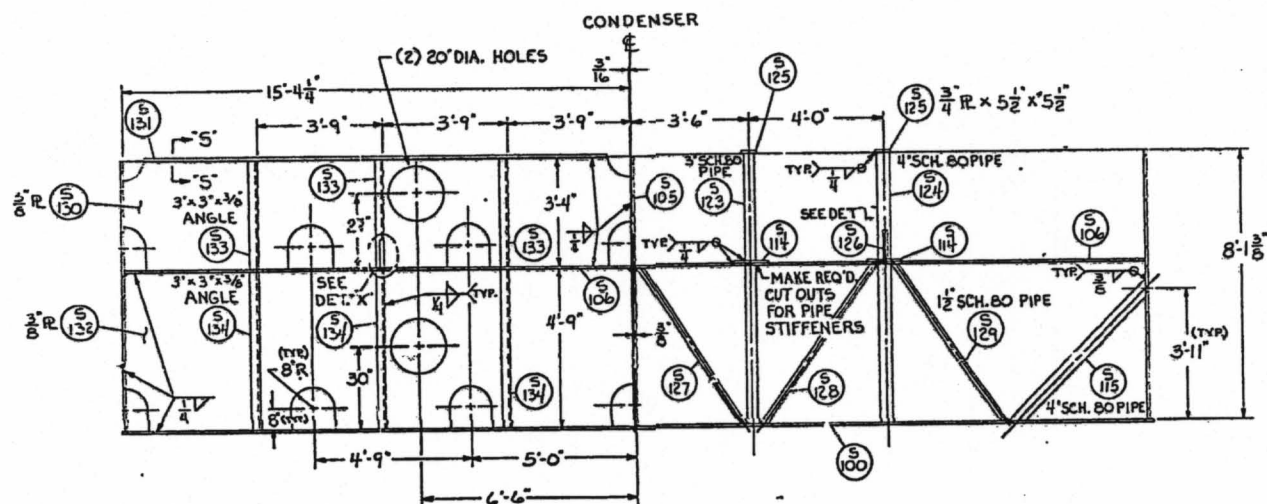
SECTION "N-N"
 SCALE: 3/8" = 1'-0"



DETAIL "AS"
 SCALE: 3/8" = 1'-0"

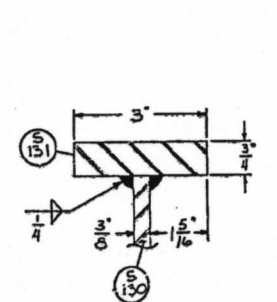


DETAIL "BD"
 SCALE: 1" = 1'-0"

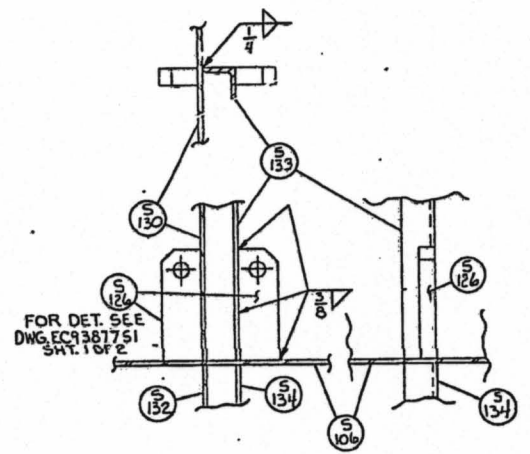


NOTE:
 TRUSS ARRANGEMENT IN SHELL 1B, AS SHOWN ABOVE. TRUSS ARRANGEMENT IN SHELL 1A, OPPOSITE AS SHOWN ABOVE.

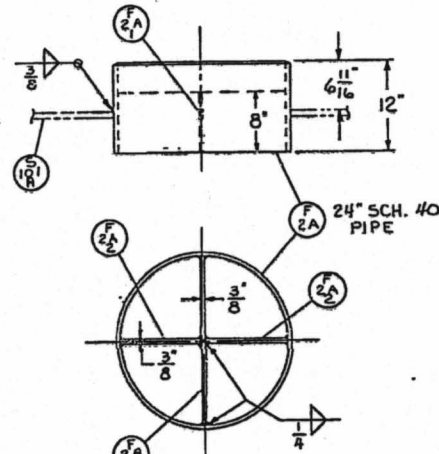
SECTION "R-R"
 SCALE: 3/8" = 1'-0"



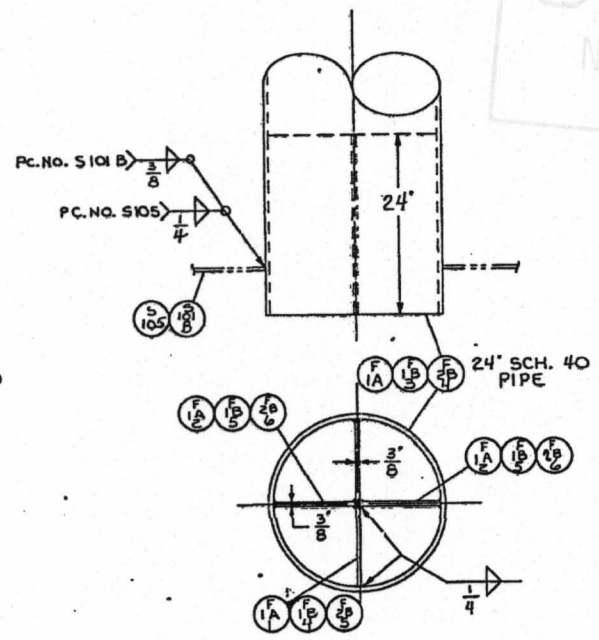
SECTION "S-S"
 SCALE: 6" = 1'-0"



DETAIL "X"
 SCALE: 1" = 1'-0"

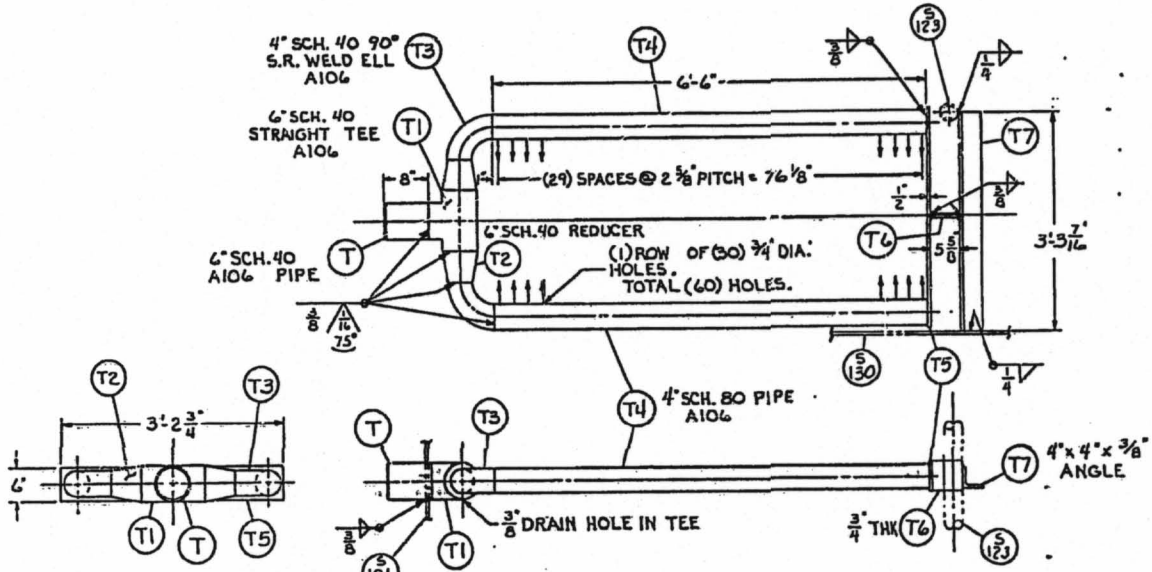


DETAIL "F2A"
 SCALE: 1" = 1'-0"

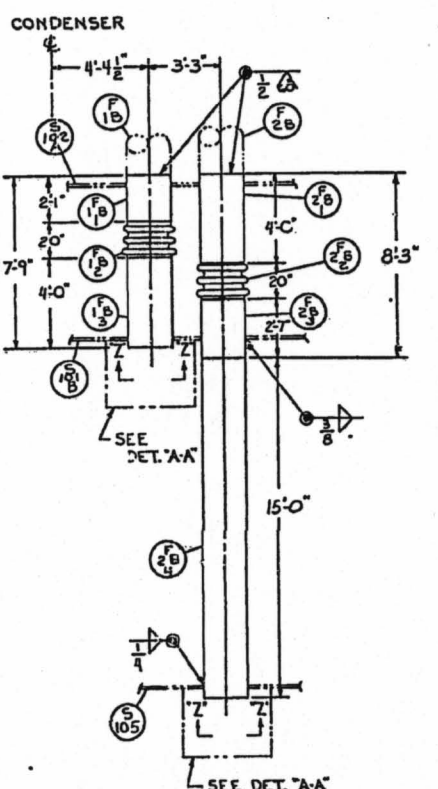


VIEW "Z-Z"
 SCALE: 1" = 1'-0"

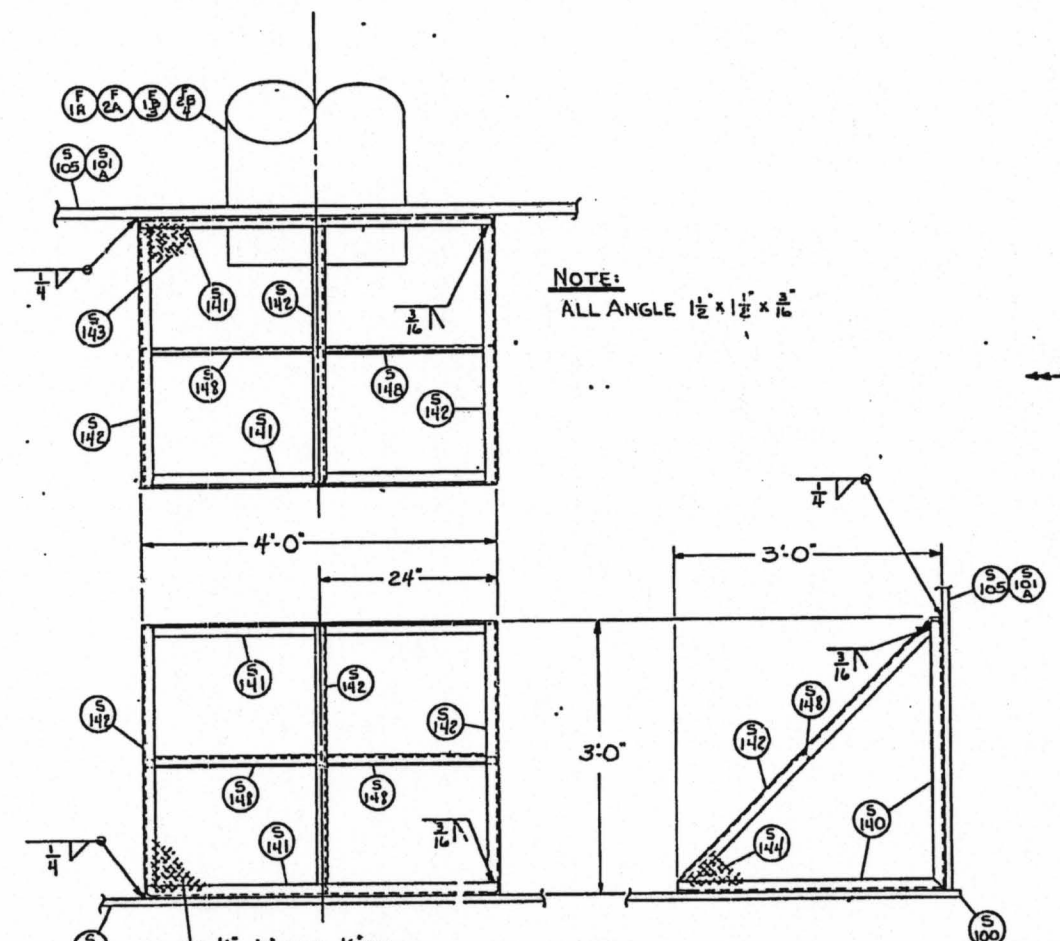
TOTAL (2) PLACES



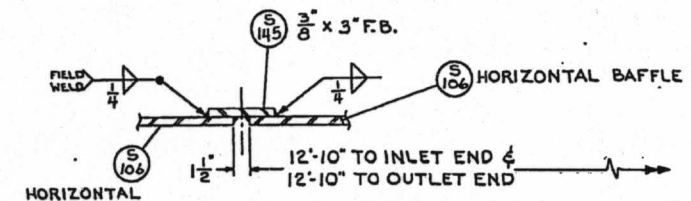
DETAIL "T"
 SCALE: 3/8" = 1'-0"



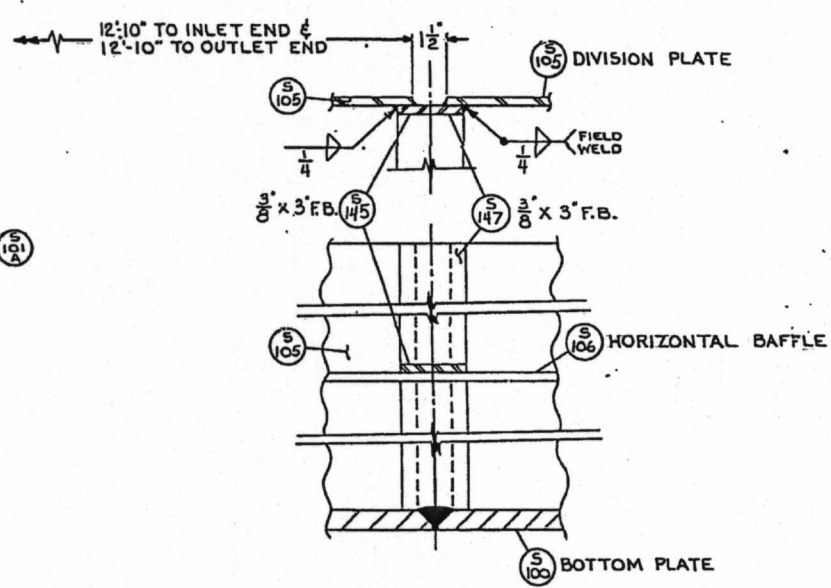
PIPING DETAILS OF CONDENSATE OUTLET TO CONDENSER SHELL 1B
 SCALE: 1/2" = 1'-0"



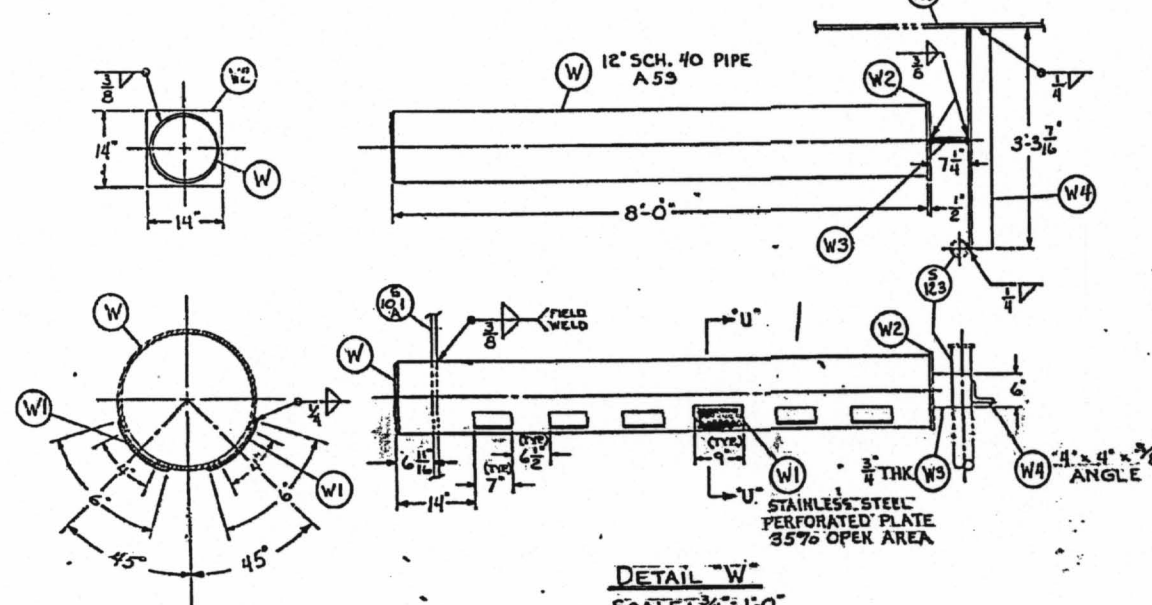
NOTE:
 ALL ANGLE 1 1/2" x 1 1/2"



SECTION "AB-AB"
 SCALE: 3" = 1'-0"

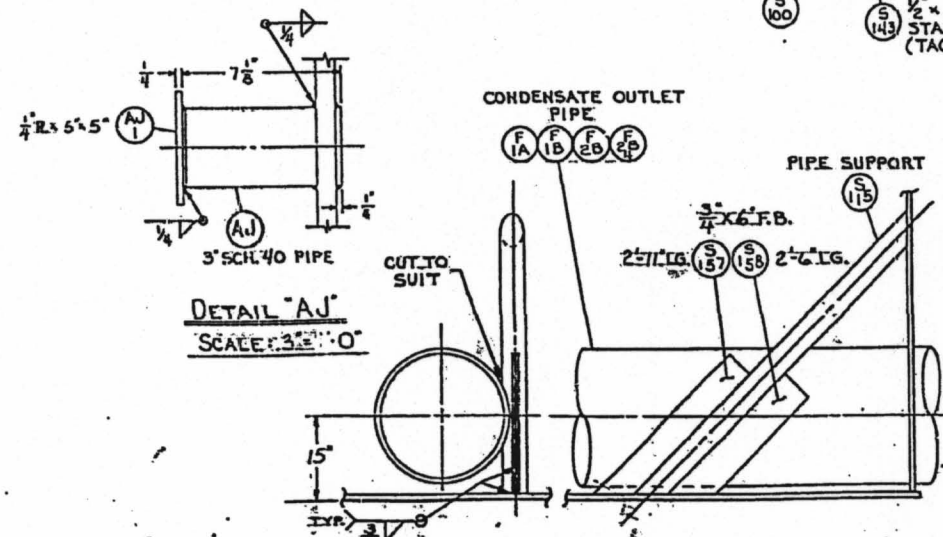


DETAIL "AC"
 SCALE: 3" = 1'-0"

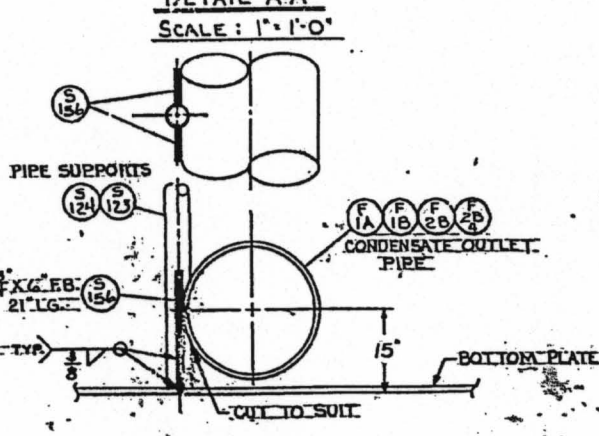


DETAIL "W"
 SCALE: 3/8" = 1'-0"

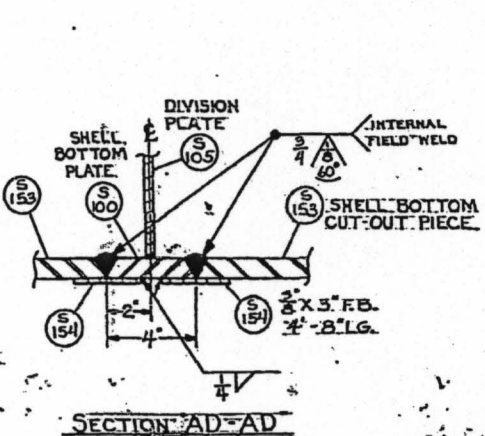
NOTE:
 CONNECTION "W" IN CONDENSER "1A"



DETAIL "AU"
 SCALE: 3/8" = 1'-0"



DETAIL "A-A"
 SCALE: 1" = 1'-0"



SECTION "AD-AD"
 SCALE: 3" = 1'-0"

RECEIVED
 JUL 10 1975
 008038

FILMED
 AUG 7 1975

RECEIVED
 FEB 5 1974
 BURGAS and BOE
 WENPSTEAD

INDUSTRIAL PRODUCTS DIVISION
 MARYLAND SHIPBUILDING & DRYDOCK CO.
 BALTIMORE, MD.

INTERNAL REINFORCEMENTS
 LOWER SHELL SECTION

FOR CONSUMER'S PUBLIC POWER DISTRICT
 DESIGNED BY M.L.R. 7-5-69
 DRAWN BY J.C. 4-8-69 APPROVED BY M.L.R. 7-5-69
 CONT. NO. 95877 SCALE 1/8" = 1'-0" EC 33877SL