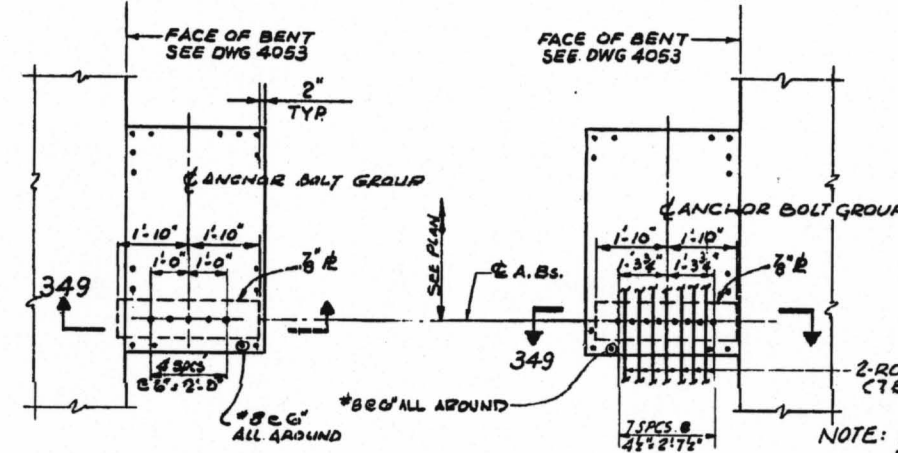
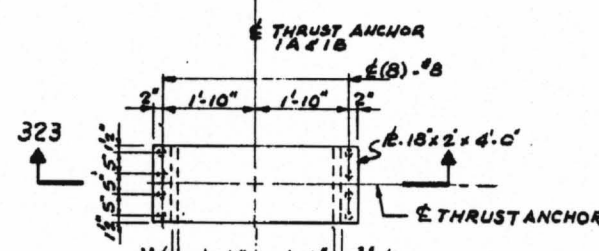
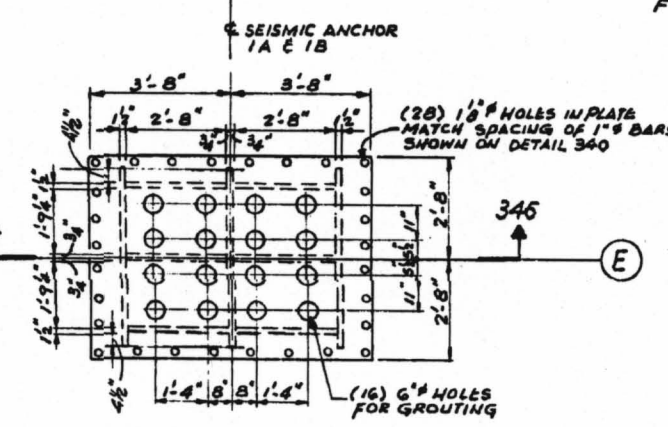
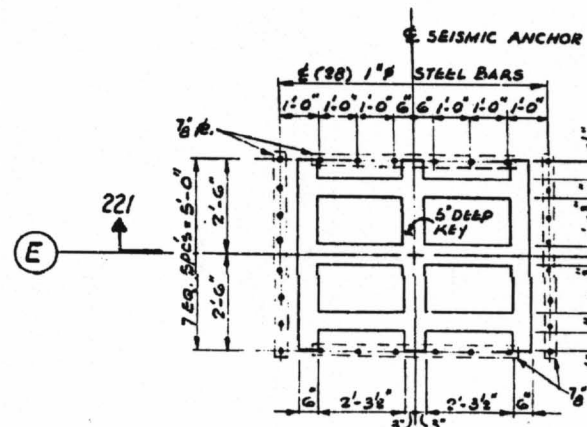
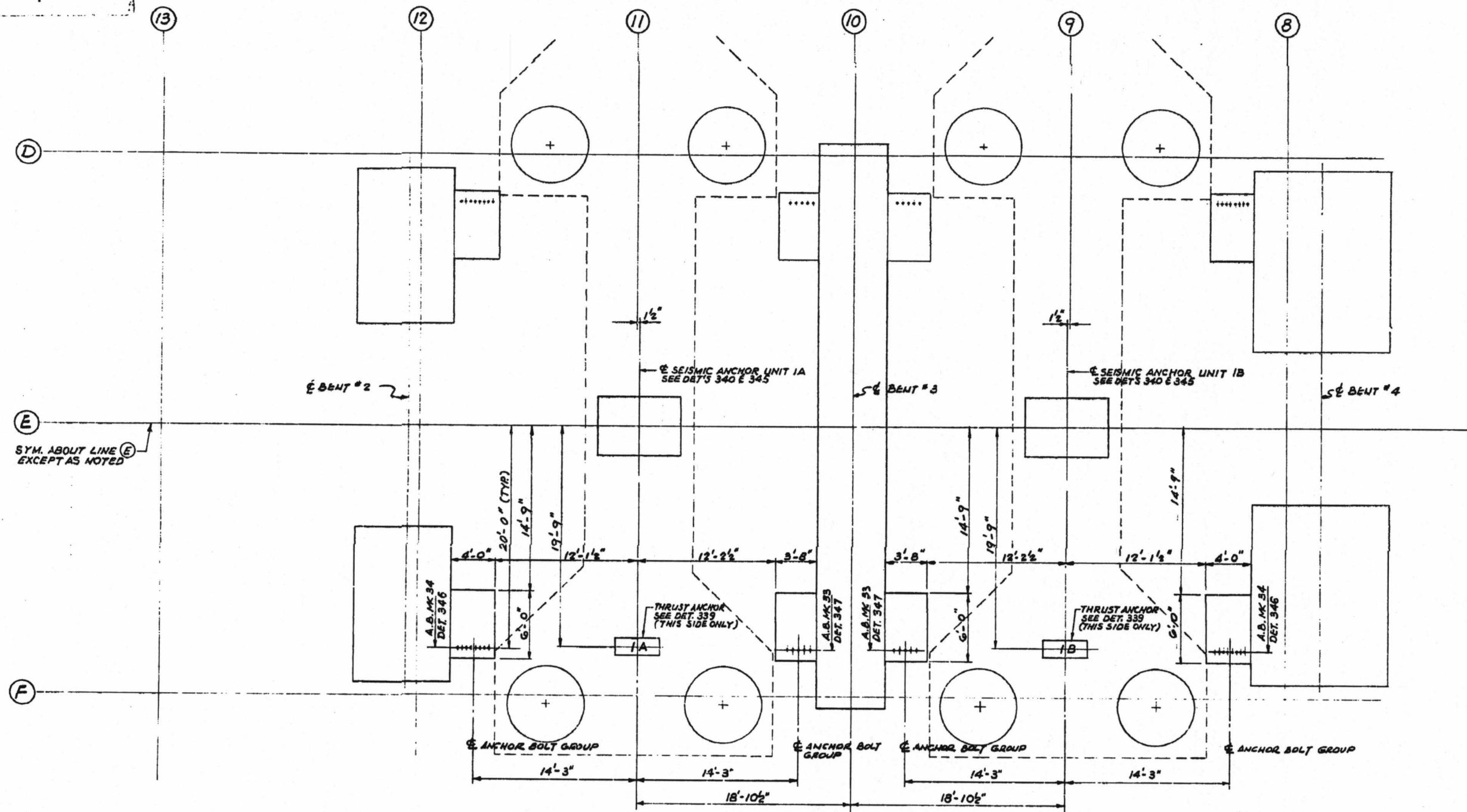
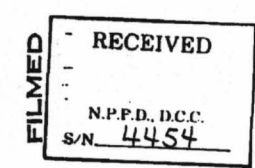
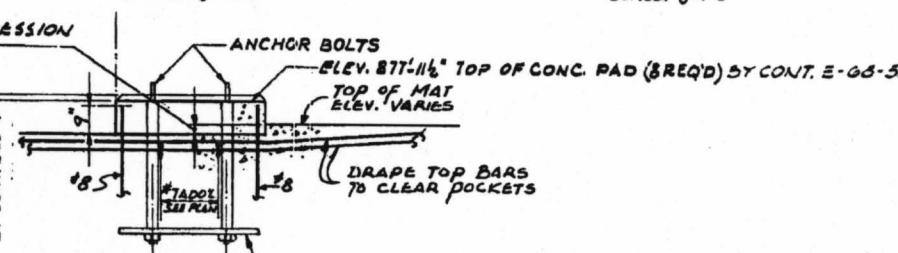
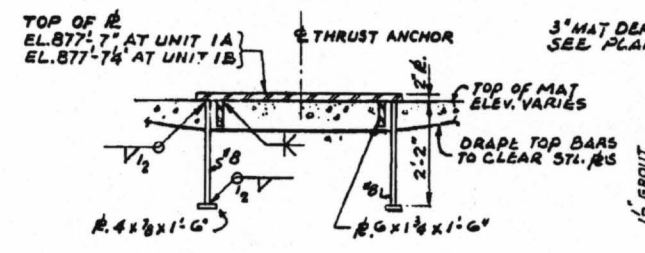
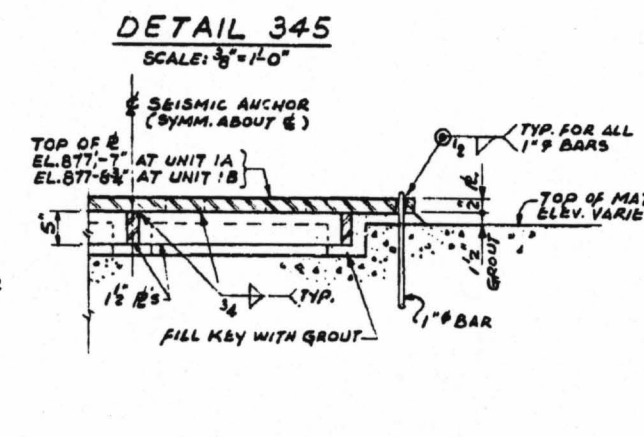
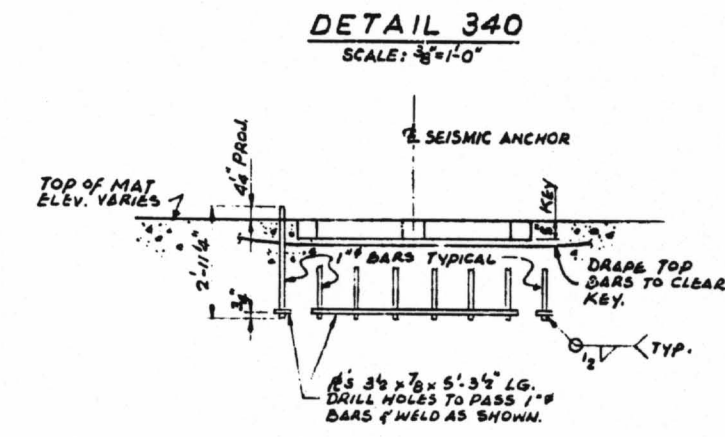


NOTES:

1. - FOR GENERAL CONCRETE NOTES SEE DWG 4226.
2. - FOR MISC. CONC. DETAILS SEE DWG 4226.
3. - FOR ANCHOR BOLT SCHEDULE SEE DWG 4074.
4. CONTRACTOR SHALL EXAMINE THIS DWG. FOR ITEMS MARKED AS PART OF CONT. E-08-55 ESSENTIALLY CONCRETE PARTS.



NOTE: WORK THIS DWG WITH 4053



BURNS AND ROE, INC.
ENGINEERS AND CONSTRUCTORS
ORADELL, N. J. HEMPSTEAD, N. Y. LOS ANGELES, CALIF.

STRUCTURAL
TURBINE GENERATOR BUILDING
FOUNDATION SECTIONS & DETAILS-SHEET #3

CONSUMERS PUBLIC POWER DISTRICT
COOPER NUCLEAR STATION

DESIGNED BY: W.O.E.B. DRAWN BY: R.C.WOOD
CHECKED BY: J.J.T. DATE: 7/23/67
APPROVED FOR CONSTRUCTION: W.O. 2520
DATE: 7/23/67
DWG. 4052

REV.	DATE	BY	CHKD.	APP.	REVISION
1		GA	WJC	CFK	REV. ANCHOR BOLT LOCATION
2		T.G.	WJC	CFK	REV. DETAIL 346 & SECTION 346-346
3		WJC	WJC	CFK	REV. DETAIL 346 & SECTION 346-346

D-13