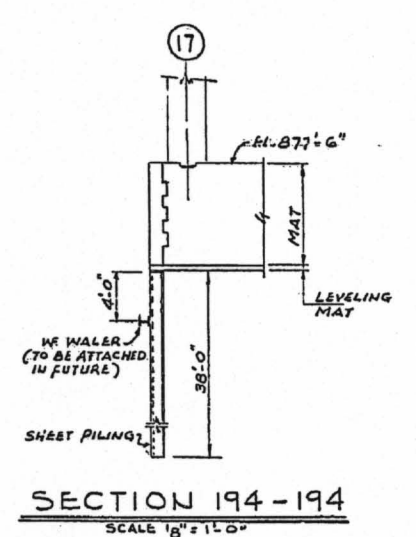
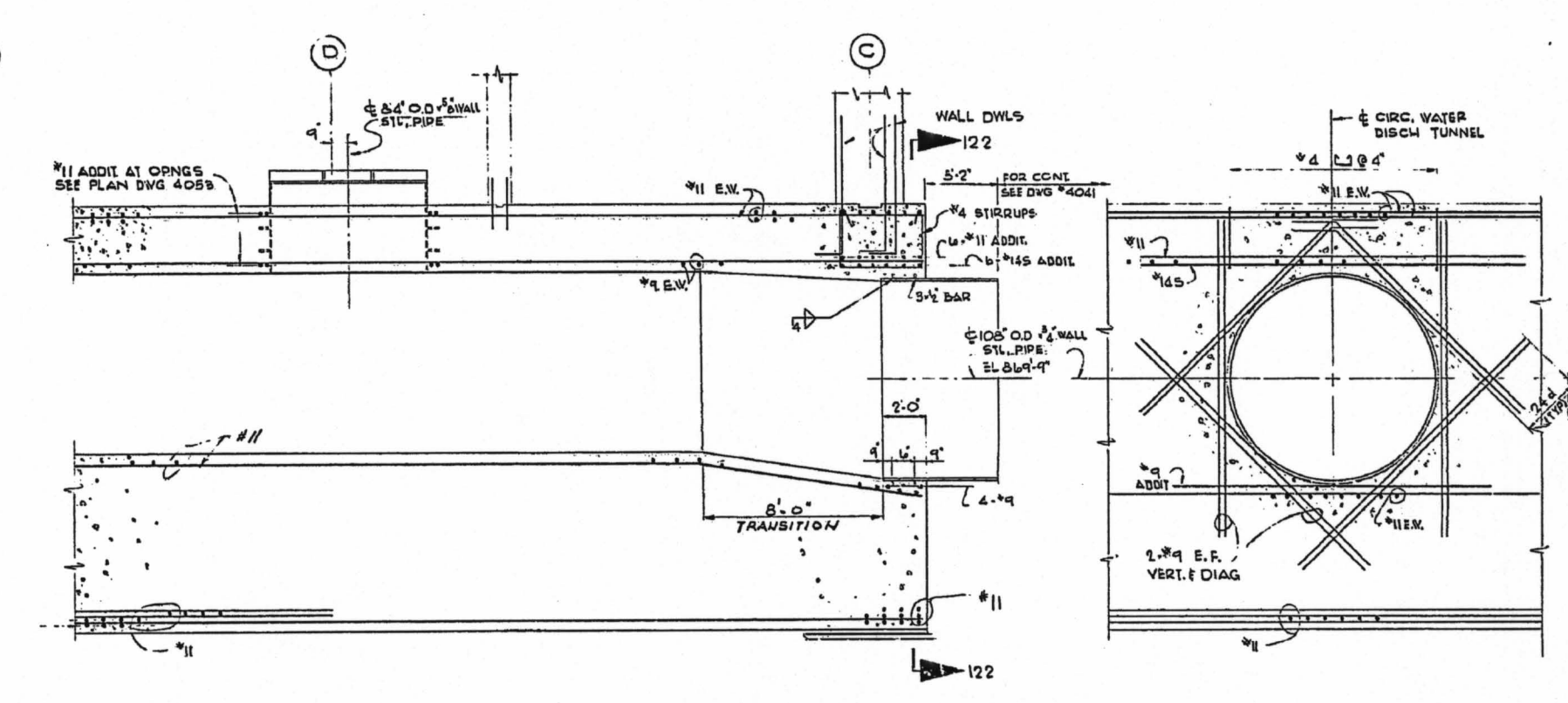
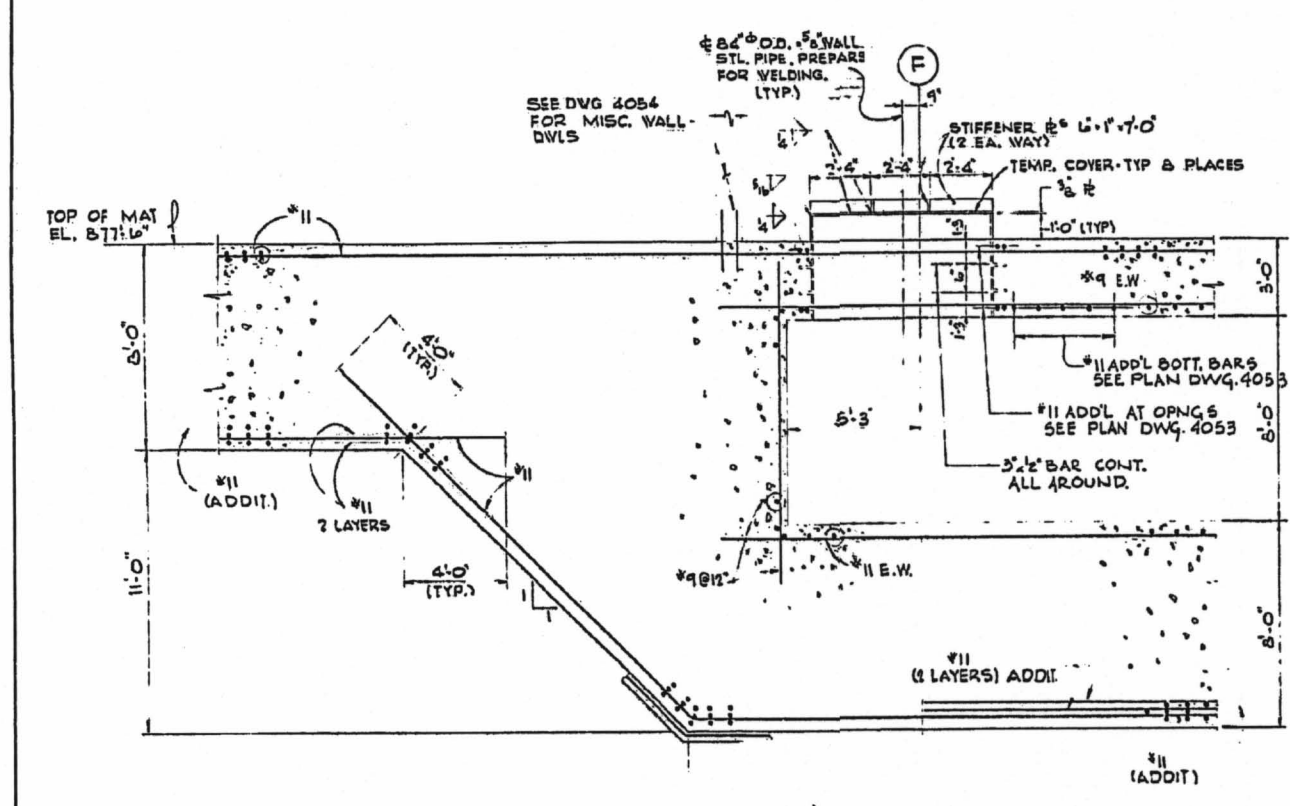
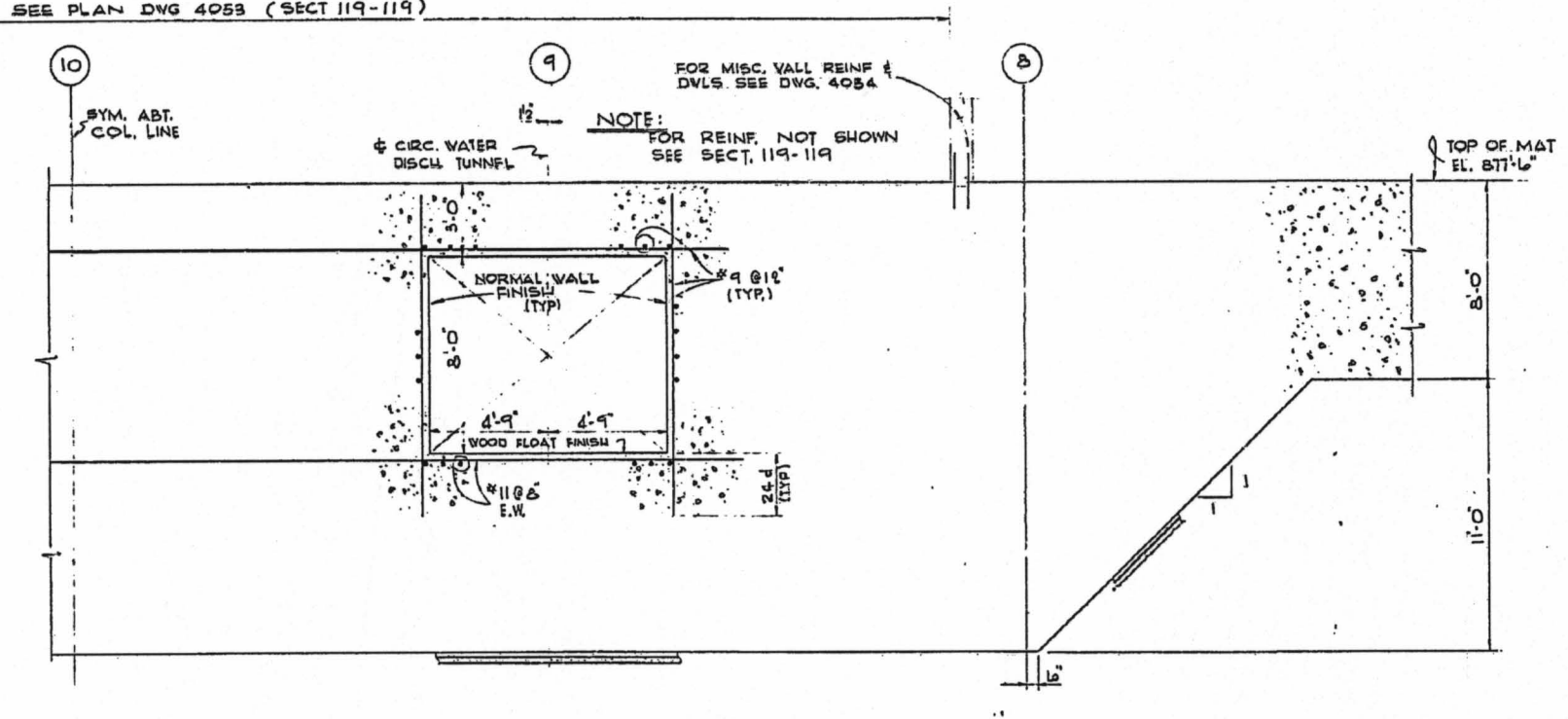
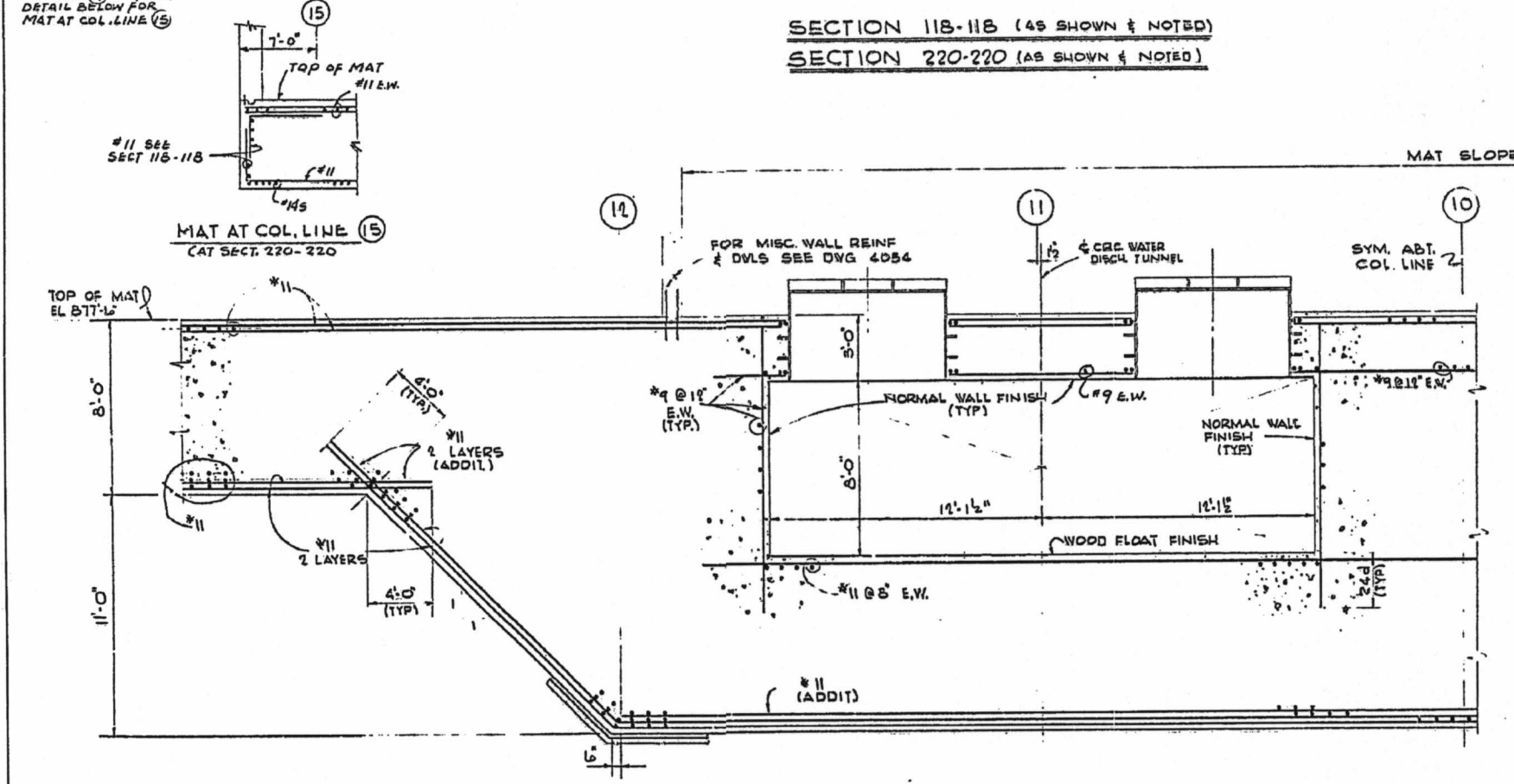
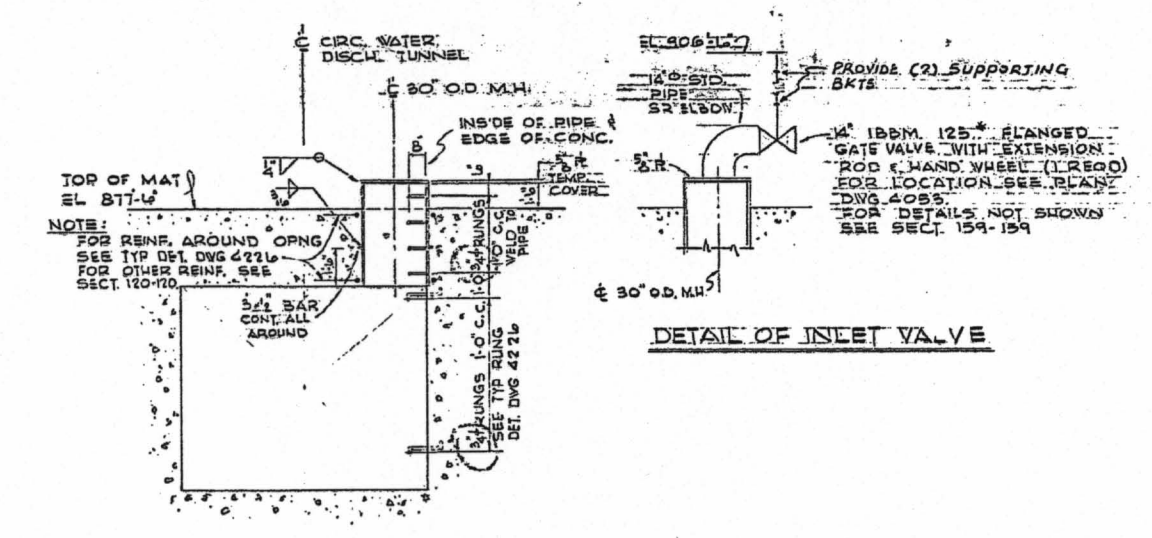
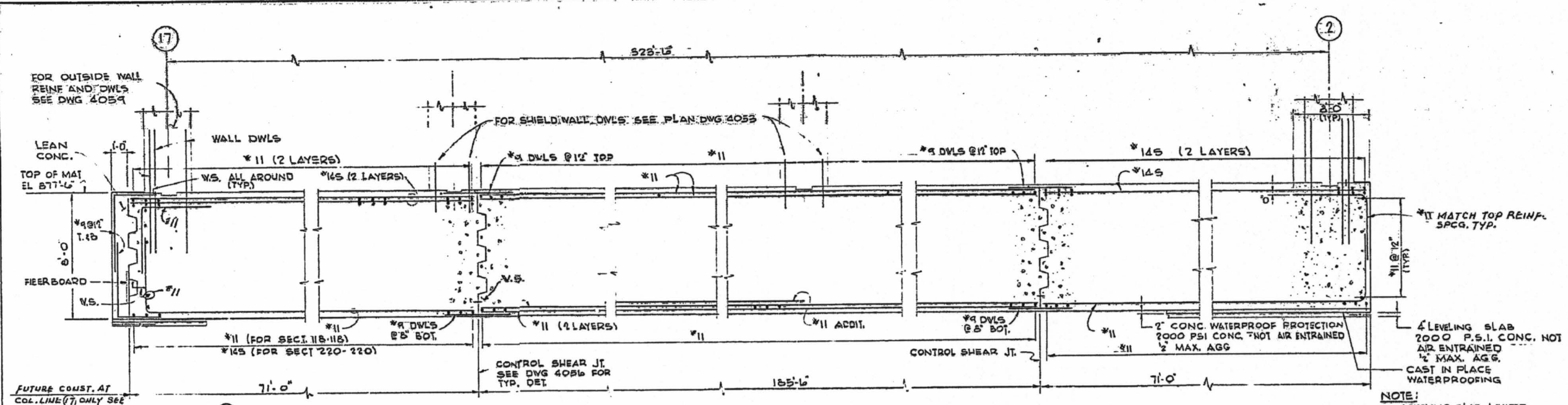


NOTES:
 1. FOR GENERAL CONCRETE NOTES
 SEE DWG. 4221b.



EXPIRES ON
 MAR 27 2000
 NON-CONTROLLED
 PRINT

NOTES:
 WORK THIS DWG. WITH DWG. 4053

RECEIVED
 N.P.D., D.C.C.
 S/N 4457

BURNS AND ROE, INC.
 ENGINEERS AND CONSTRUCTORS
 ORADELL, N. J. HEMPSTEAD, N. Y. LOS ANGELES, CALIF.
 STRUCTURAL
 TURBINE GENERATOR BUILDING
 FOUNDATION SECTIONS & DETAILS-SHEET # 1

CONSUMERS PUBLIC POWER DISTRICT
 COOPER NUCLEAR STATION

REV. NO.	DATE	BY	CHKD.	APP.	REVISION
1	4/22/66	W.O.	J.H.	J.H.	ISSUED PER PLAN VALUE AND PROPOSED 1. REVISED MANDIBLE & TEMP. COVERS & CLAMPED REINFORCING. LINED UP WITH P.W. SHEET
2	4/22/66	W.O.	J.H.	J.H.	CLARIFIED MAT DETAILS AT SECTIONS 118-118, 119-119 AND 220-220. REVISED DETAIL OF INLET VALVE AND SECTION 121-121. REVISED DETAIL OF SHIELD WALL AND SECTION 122-122. REVISED DETAIL OF TRANSITION AND SECTION 122-122.

D-11