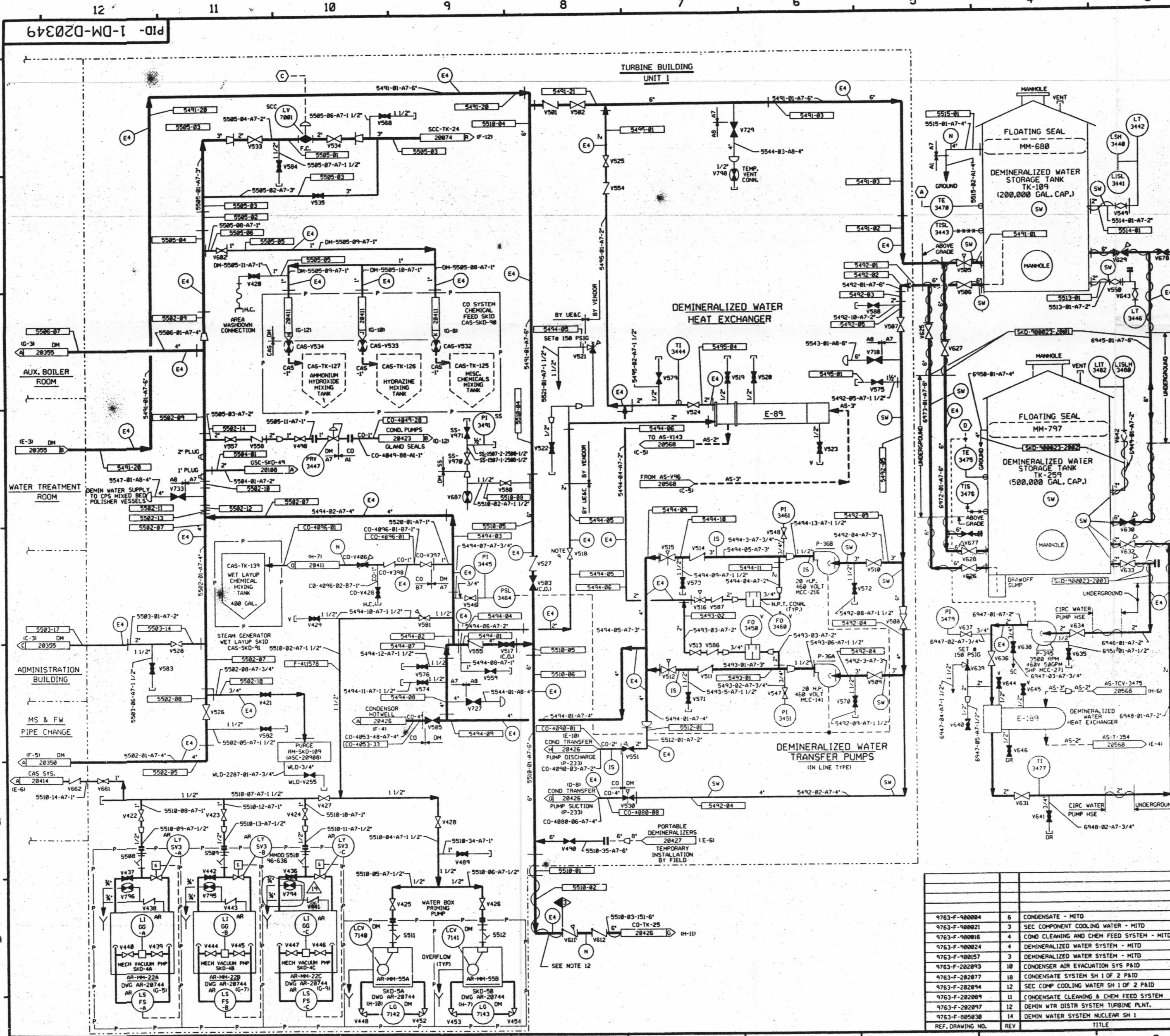


FOR INFORMATION ONLY



FOR PAID REFERENCE DRAWINGS, SYMBOLS AND ABBREVIATIONS REFER TO DRAWINGS PAID - LEGEND 1 AND PAID - LEGEND 2

**LEGEND**

DESIGN PRESSURE	TEST PRESSURE	MIN. TEST TEMP. °F	TEST MEDIUM
IS	150 PSIG	225/245	35 WATER
OS	50 PSIG	75/95	35 WATER
IS			N.O.P.
M			NO TEST REQUIRED

NOTES:  
A. VENTS AND DRAINS WITH CAPS/BLIND FLANGES ETC. (ASME CL. 2 & 3) SHALL BE TESTED TO THE LAST ISOLATION VALVE.

- NOTES:**
- WORK THIS DRAWING WITH DRAWINGS 28348 & 28358 THROUGH 28356.
  - ALL LINES, EQUIPMENT, COMPONENTS & INSTR. ARE SYSTEM PREFIX UNLESS OTHERWISE NOTED.
  - ALL LINES, EQUIPMENT, COMPONENTS & INSTR. ARE SAFETY CLASS UNLESS NOTED OTHERWISE.
  - △ DENOTES REVISION LEVEL.
  - DELETED
  - INSTRUMENT REFERENCES  
A TO AS-TCV-3478 ON DWG. 29568.  
B TO SCC-LC-7080 ON DWG. 20874.  
C TO DM-TCV-3475 ON DWG. 29568.
  - CLEANLINESS CLASS "B".
  - DELETED
  - CAUTION TO BE EXERCISED WHEN THROTTLING THIS VALVE TO REDUCE THE CONTINUOUS REFR. FLOW IF STEAM IS AVAILABLE FOR HEAT EXCHANGER E-89. THERMAL CONDITIONS TO BE MONITORED TO ASSURE NO ADVERSE CONDITIONS EXIST.
  - SYSTEM DESCRIPTION NUMBER IS 50-5
  - PIPE CAPS MAY BE INSTALLED AT DEMIN WATER HOSE STATIONS AS DEEMED NECESSARY BY STATION STAFF TO PREVENT LEAKAGE.
  - THIS HEAT TRACING IS NONFUNCTIONAL.

PORTIONS OF THIS DRAWING ARE  
**NUCLEAR SAFETY RELATED**

REV.	DATE	DSGN	DRWN	CHKD	COE	SES	DESCRIPTION
19	7/21/88	BCS	MPW	DWS	ESG	INCORP	HHOD '86-636 DCH 88
18	6/9/88	BCS	MPW	DWS	ESG	PARTIAL INCORP	HHOD '86-636 DCH 88
17	5/22/88	BCS	MPW	DWS	ESG	REINCORP	HHOD '86-636 DCH 88 -PARTIAL
16	5/28/88	DRL	BCS	MPW	ESG	INCORP	HHOD '86-636 DCH 88
15	7/30/87	MPW	BCS	DWS	VMS	INCORP	HHOD '86-958 DCH 81
14	5/2/87	MPW	BCS	DWS	DJM	INCORP	DCR '950838 DCH 8, 82 & 84
13	11/28/86	MPW	BCS	DWS	MPW	INCORP	HHOD '85-625 CAB
12	10/23/86	BCL	MPW	MRB	GRN	INCORP	DCR '848827 CA-8
11	8/3/84	DWS	MPW	MPZ	MPW	INCORP	DCR '830887 CAP1
10	5/9/84	BCL	DJB	VDS	HHM	INCORP	HHOD '84-519 CA-8

**North Atlantic Energy Service Corporation**

**DEMINERALIZED WATER DISTRIBUTION SYSTEM TURBINE BLDG**

SEAROX STATION

PID- 1-DM-D20349

REF. DRAWING NO.	REV.	TITLE
763-F-980084	6	CONDENSATE - MITD
763-F-980021	3	SEC COMPONENT COOLING WATER - MITD
763-F-980016	4	COND CLEANING AND CHEM FEED SYSTEM - MITD
763-F-980014	4	DEMINERALIZED WATER SYSTEM - MITD
763-F-980157	3	DEMINERALIZED WATER SYSTEM - MITD
763-F-282893	10	CONDENSATE SYSTEM SH 1 OF 2 PAID
763-F-282877	18	CONDENSATE SYSTEM SH 1 OF 2 PAID
763-F-282894	12	SEC COMP COOLING WATER SH 1 OF 2 PAID
763-F-282889	11	CONDENSATE CLEANING & CHEM FEED SYSTEM
763-F-282897	12	DEMIN WTR DISTR SYSTEM TURBINE PLANT.
763-F-885838	14	DEMIN WATER SYSTEM NUCLEAR SH 1

D-31