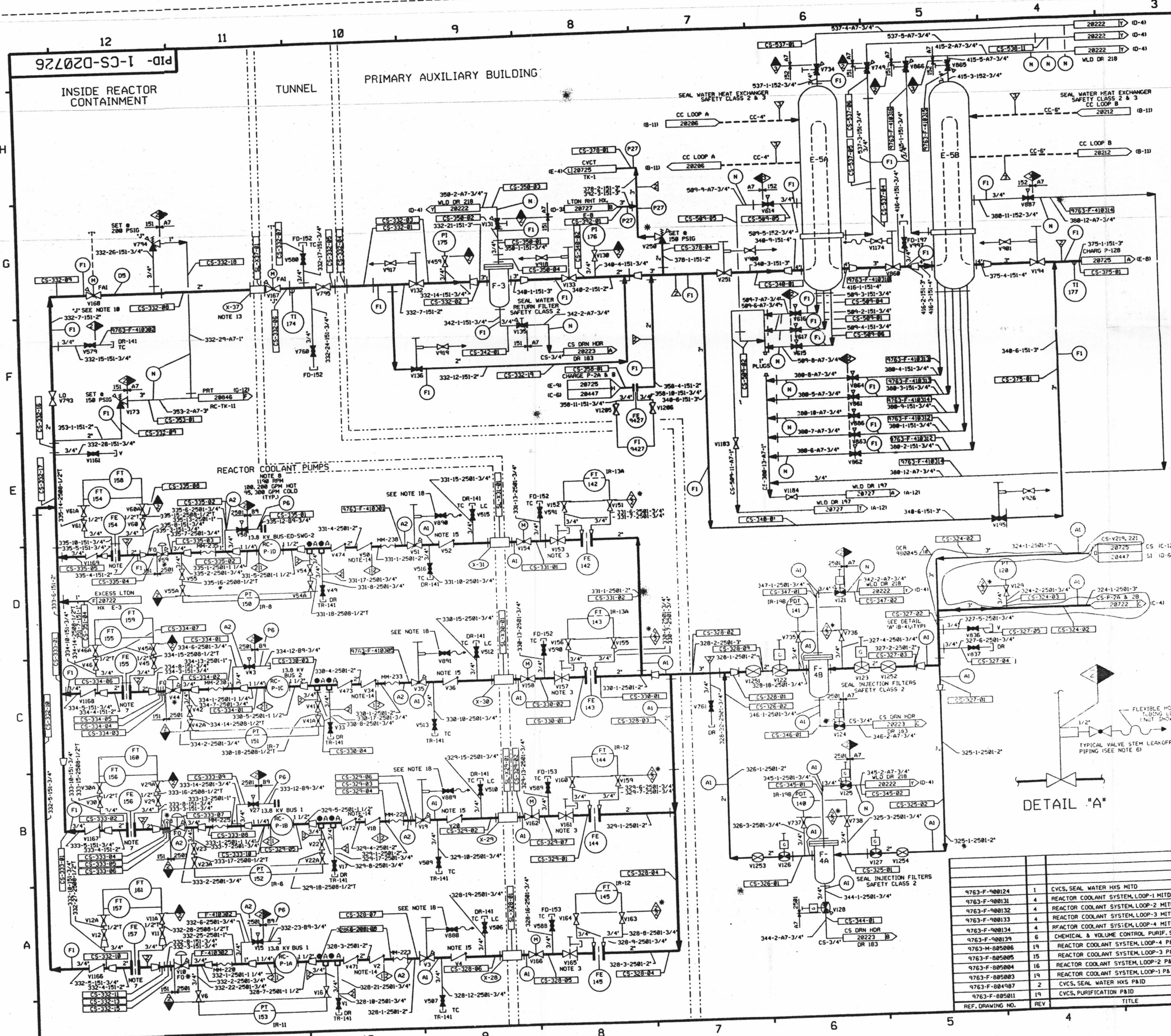


FOR INFORMATION ONLY

190032/82014 MM



FOR P&ID REFERENCE DRAWINGS, SYMBOLS AND ABBREVIATIONS REFER TO DRAWINGS PAID - LEGEND 1 AND PAID - LEGEND 2

LEGEND				
DESIGN SYMBOL	DESIGN PRESSURE	TEST PRESSURE	MIN. TEST TEMP. °F	TEST MEDIUM
(FI)	150 PSIG	187.5/194 PSIG	35	WATER
(P27)	75 PSIG	94/100 PSIG	35	AIR
(A1)	2735 PSIG	3414/3624 PSIG	100	D.M. WATER
(A2)	2485 PSIG	3166/3292 PSIG	100	D.M. WATER
(PE)	18 PSIG	15/18 PSIG	35	AIR / N ₂
(DS)	300 PSIG	375/398 PSIG	35	WATER
(N)	NO TEST REQUIRED			

NOTE:
 A. VENTS & DRAINS WITH CAPS/BLIND FLANGES ETC. (ASME CL. 2 & 3) SHALL BE TESTED TO THE LAST ISOLATION VALVE.
 B. REACTOR CONTAINMENT PENETRATION SEAL PLATE ATTACHMENT WELDS TESTED SATISFACTORILY AS FOLLOWS:
 X-33 PER CS-01
 X-32 PER CS-03
 X-31 PER CS-02 & 03
 IN P&ID PIPE TRUNKS AT ELEV. 116 & 1126 TESTED SATISFACTORILY PER CS-04 AND CS-05 RESPECTIVELY.
 C. PORTIONS OF INJECTION LINES AND #1 SEAL LEAK OFF LINES HAVE BEEN TESTED AT HIGHER PRESSURE THAN INDICATED IN APPENDIX G. THE HIGHER TEST PRESSURE SATISFIES THE STRESS REPORT AND IS ACCEPTABLE.

- NOTES:
1. WORK THIS DWG WITH DWGS. 28728, 28722 THRU 28725 & 28727, THRU 28729.
 2. ALL PIPING, VALVES, EQUIP. & INSTRUMENTS HAVE SYSTEM PREFIX 'CS' UNLESS NOTED OTHERWISE.
 3. * INDICATES 3/8" FLOW RESTRICTOR INSTALLED.
 4. VENTS, DRAINS & TEST CONN. CODE BREAKS ARE AT THE DOWNSTREAM END OF THE OUTER ISOLATION VALVE PER 1-HY-00511 UNLESS NOTED OTHERWISE.
 5. REFER TO DRAWING VSL-28774 FOR VALVE LEAKOFFS.
 6. ORIFICE PLATE IS NON-ASME.
 7. REACTOR COOLANT PUMPS SHOWN ON DWG'S:
 RCP P-18
 RCP P-19
 RCP P-20
 RCP P-21
 RCP P-22
 8. CLEANLINESS CLASS 'B'.
 9. IDENTIFICATION 'I' NEAR A VALVE DENOTES THAT VALVE IS DESIGNATED FOR INSERVICE TESTING.
 10. DELETED.
 11. * INDICATES VALVE SUPPLIED BY WESTINGHOUSE.
 12. DELAY TIME RCS TO HERE MUST BE 45 SECS. MIN.
 13. CHECK VALVES LOCATED CLOSE TO R.C. PUMP.
 14. LOCATED CLOSE TO CONTAINMENT.
 15. Δ INDICATES REVISION LEVEL.
 16. SYSTEM DESCRIPTION IS 10 37.
 17. MAINTAIN STEM LEAK-OFF ISOLATION VALVES V18A, V59A, V190A & V191A APC TO BE KEPT CLOSED. HAVE STEM LEAK-OFF TO BE CONSIDERED. (INFORMAL)

PORTIONS OF THIS DRAWING ARE NUCLEAR SAFETY RELATED

DETAIL "A"

REV	DATE	DSGN	DRWN	CHKD	CODE	SES	DESCRIPTION
18	4/15/97	DWS	---	FAC	JEV	INCORP DCR 450045 DCN#34	
17	2/21/97	MPW	---	FAC	JEV	DCR #68007 CA#00 (PARTIAL)	
16	6/13/97	DWS	---	FAC	JEV	DCR #68007 CA#00 (PARTIAL)	
15	5/16/97	MPW	---	FAC	JEV	INCORP DCR #7-016 CA#0	
14	2/25/97	BES	---	FAC	JEV	INCORP DCR #4-016 CA#0	
13	1/28/95	MPW	---	FAC	JEV	INCORP DCR #3-517 CA#0	
12	4/24/94	BCL	---	FAC	JEV	INCORP DCR #1-507 CA#0	
11	4/5/93	BCL	---	FAC	JEV	INCORP DCR #1-507 CA#0	

REV	DATE	DSGN	DRWN	CHKD	CODE	SES	DESCRIPTION
4763-F-080124	1	CVCS, SEAL WATER HXS MITD					
4763-F-080131	4	REACTOR COOLANT SYSTEM LOOP-1 MITD					
4763-F-080132	4	REACTOR COOLANT SYSTEM LOOP-2 MITD					
4763-F-080133	4	REACTOR COOLANT SYSTEM LOOP-3 MITD					
4763-F-080134	4	REACTOR COOLANT SYSTEM LOOP-4 MITD					
4763-F-080135	4	REACTOR COOLANT SYSTEM LOOP-5 MITD					
4763-F-080136	4	REACTOR COOLANT SYSTEM LOOP-6 MITD					
4763-F-080137	4	REACTOR COOLANT SYSTEM LOOP-7 MITD					
4763-F-080138	4	REACTOR COOLANT SYSTEM LOOP-8 MITD					
4763-F-080139	4	REACTOR COOLANT SYSTEM LOOP-9 MITD					
4763-F-080140	4	REACTOR COOLANT SYSTEM LOOP-10 MITD					
4763-F-080141	4	REACTOR COOLANT SYSTEM LOOP-11 MITD					
4763-F-080142	4	REACTOR COOLANT SYSTEM LOOP-12 MITD					
4763-F-080143	4	REACTOR COOLANT SYSTEM LOOP-13 MITD					
4763-F-080144	4	REACTOR COOLANT SYSTEM LOOP-14 MITD					
4763-F-080145	4	REACTOR COOLANT SYSTEM LOOP-15 MITD					
4763-F-080146	4	REACTOR COOLANT SYSTEM LOOP-16 MITD					
4763-F-080147	4	REACTOR COOLANT SYSTEM LOOP-17 MITD					
4763-F-080148	4	REACTOR COOLANT SYSTEM LOOP-18 MITD					
4763-F-080149	4	REACTOR COOLANT SYSTEM LOOP-19 MITD					
4763-F-080150	4	REACTOR COOLANT SYSTEM LOOP-20 MITD					

North Atlantic Energy Service Corporation
 CHEMICAL & VOLUME CONTROL SYS.
 SEAL WATER
 DETAIL
 PID- 1-CS-D20726

D-17