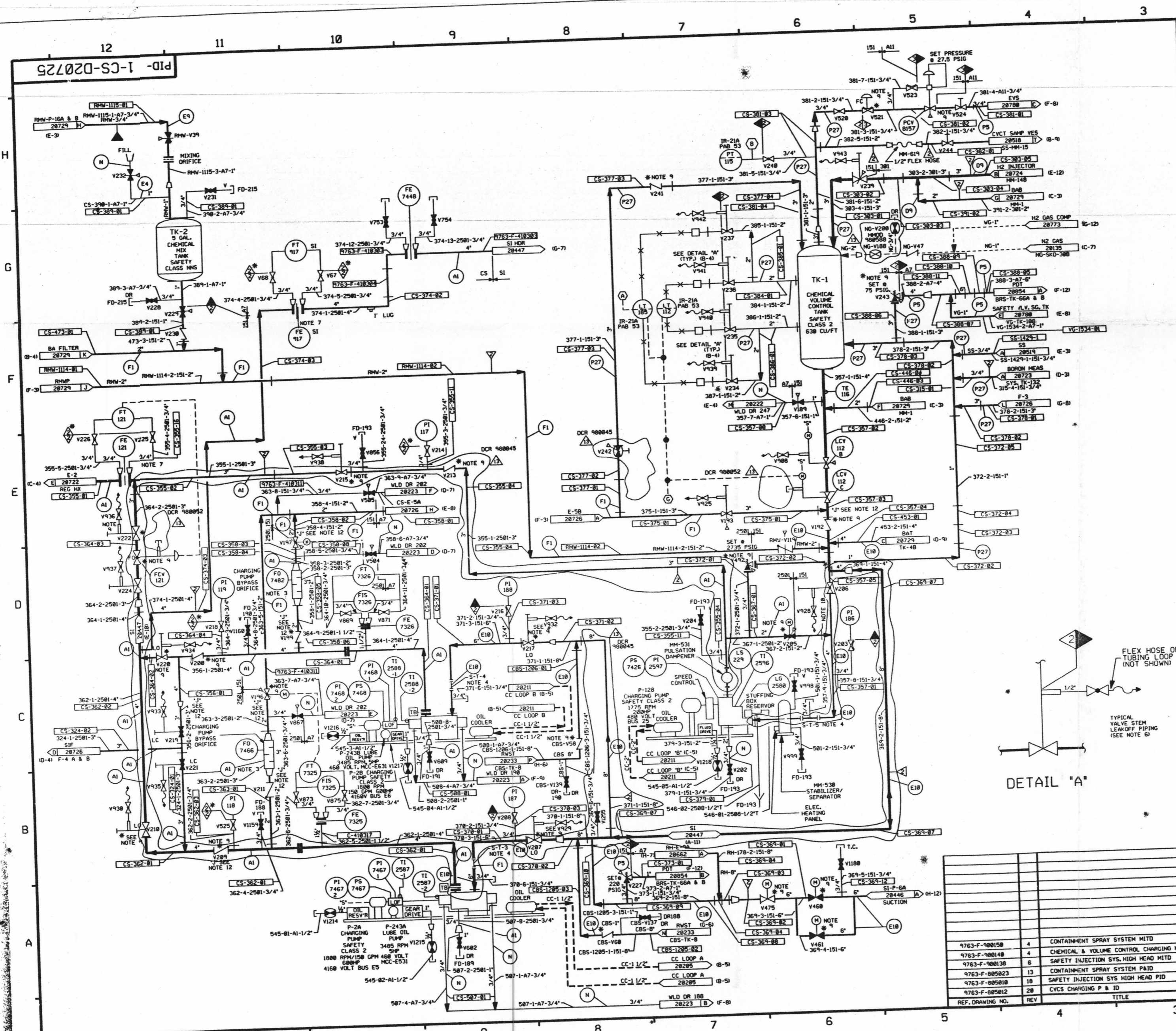


FOR INFORMATION ONLY

17005248004A JHM

027020725 -PID-



FOR PAID REFERENCE DRAWINGS, SYMBOLS AND ABBREVIATIONS REFER TO DRAWINGS PAID - LEGEND 1 AND PAID - LEGEND 2

LEGEND				
TEST BOUNDARY	DESIGN PRESSURE	TEST PRESSURE	MIN. TEST TEMP °F	TEST MEDIUM
TEMPORARY TEST BOUNDARY				
(AI) INTEGRITY TEST	2735 PSIG	3419/3624 PSIG	35	WATER
(PI) INTEGRITY TEST	248 PSIG	306/318 PSIG	35	WATER
(EA) INTEGRITY TEST	150 PSIG	225/245 PSIG	35	WATER
(E9) INTEGRITY TEST	200 PSIG	306/318 PSIG	35	WATER
(FI) INTEGRITY TEST	150 PSIG	187.5/199 PSIG	35	WATER
(P9) INTEGRITY TEST	15 PSIG	18/22.5 PSIG		AIR N ₂
(E10) INTEGRITY TEST	75 PSIG	94/108 PSIG	35	AIR N ₂
(E12) INTEGRITY TEST	228 PSIG	275/291.5 PSIG	35	WATER
(N) NO TEST REQUIRED				

NOTES:
 A. VENTS AND DRAINS WITH CAPS/BLIND FLANGES ETC. (ASME CL 2 & 3) SHALL BE TESTED TO THE LAST ISOLATION VALVE.
 B. THE RELIEF VALVE DISCHARGE PIPING FOR VALVES CBS-V52, CBS-V222, RHM-V10, V25, V75, V165, V183 & SI-V248 MUST BE FILLED WITH WATER TO THE MAXIMUM ELEVATION DURING PRESSURE TESTING.

- NOTES:
- WORK THIS DWG WITH 28728 THRU 28724 & 28726 THRU 28724. PORTIONS OF THIS DRAWING ARE DUPLICATED ON DRAWING SI-28447 DUE TO SIMILAR SYSTEM FUNCTIONS.
 - ALL LINES, EQUIPMENT, COMPONENTS & INSTRUMENTS HAVE SYSTEM PREFIX 'CS', UNLESS NOTED OTHERWISE.
 - MIN. OF 9' OF STRAIGHT PIPE AFTER NON-FLOW ORIFICE.
 - PERMANENT SPOOL PIECE INSTALLATION SHOWN TEMP. SPOOL PIECE WITH STRAINER, PRESSURE INSTRUMENTS, VENTS & DRAINS INSTALLED ONLY DURING PLUMBING OPERATIONS & IS REMOVED BEFORE START-UP.
 - VENT AND DRAIN CODE BREAKS ARE AT THE DOWNSTREAM END OF THE OUTER ISOLATION VALVE PER 1-NM-V0811 UNLESS NOTED OTHERWISE.
 - REFER TO DRAWING VSL-28774 FOR VALVE LEAKOFFS.
 - OFFICE PLATE NON-ASME
 - INSTRUMENT REFERENCE
 - (A) TO LCV-112A & LV-112A ON DWG. 28724.
 - (B) TO WG-PIC-8156 ON PAID WG-28773
 - (C) TO LCV-112E & LV-112D ON DWG. 28233.
 - INDICATES VALVE SUPPLIED BY WESTINGHOUSE.
 - CONNECT BYPASS RETURN LINE A MIN. OF 8 FEET FROM PUMP SUCTION.
 - CLEANLINESS CLASS 'B'
 - THE IDENTIFICATION 'J' NEAR A VALVE DENOTES THAT VALVE IS DESIGNATED FOR INSERVICE TESTING.
 - SYSTEM DESCRIPTION NO. IS 50-NM-VCH-282
 - INDICATES REVISION LEVEL.

PORTIONS OF THIS DRAWING ARE NUCLEAR SAFETY RELATED

REV	DATE	DSGN	DRWN	CHKD	CODE	SES	DESCRIPTION
13	12/15/78	DWS	RMS	BES	JHM	APL	PARTIAL INCORP DCR 9-8883 DCH-001 INCORP DCR 9-8883 DCH-001 & HMOO 888588 DCH-001
12	10/25/78	BCL	DWS	BCL	BAW	APL	INCORP HMOO 97-818 DCH-001
11	8/3/74	MPW	DWS	BCL	QW	APL	INCORP DCR 88-152 CA-08 AND HMOO 888588 CA-08
10	4/14/74	BCL	DWS	DHS	DHS	APL	INCORP HMOO 93-517 CAB
9	11/14/74	BCL	DWS	DHS	DHS	APL	INCORP DCR 89-73 CAB
8	11/13/72	BCL	DWS	JEV	JEV	APL	INCORP HMOO 91-515 CA 02
7	10/24/74	MRB	FCB	JHM	APL	BCL	INCORP HMOO 91-515 CA 02
6	1/25/75	MRB	RMC	GPM	APL	BCL	INCORP HMOO 91-515 CA 02
5	7/22/68	GPM	RMC	MPW	APL	GPM	INCORP DCR 87-361

North Atlantic Energy Service Corporation



CHEMICAL & VOLUME CONTROL CHARGING SYSTEM DETAIL

PID- 1-CS-D20725

REV	DATE	DSGN	DRWN	CHKD	CODE	SES	DESCRIPTION
4	9/25/68	GPM	RMC	APL	BCL	DIM	INCORP DCR 87-323
3	11/23/67	GPM	JHM	DWS	BCL	RRC	INCORP DCR 87-323
2	6/28/66	DWS	JHM	VNK	JMS	RRC	ISSUED FOR OPERATIONS
1							

DETAIL "A"

8.5"
11"
17"
22"

8.5"
11"
17"

D-16