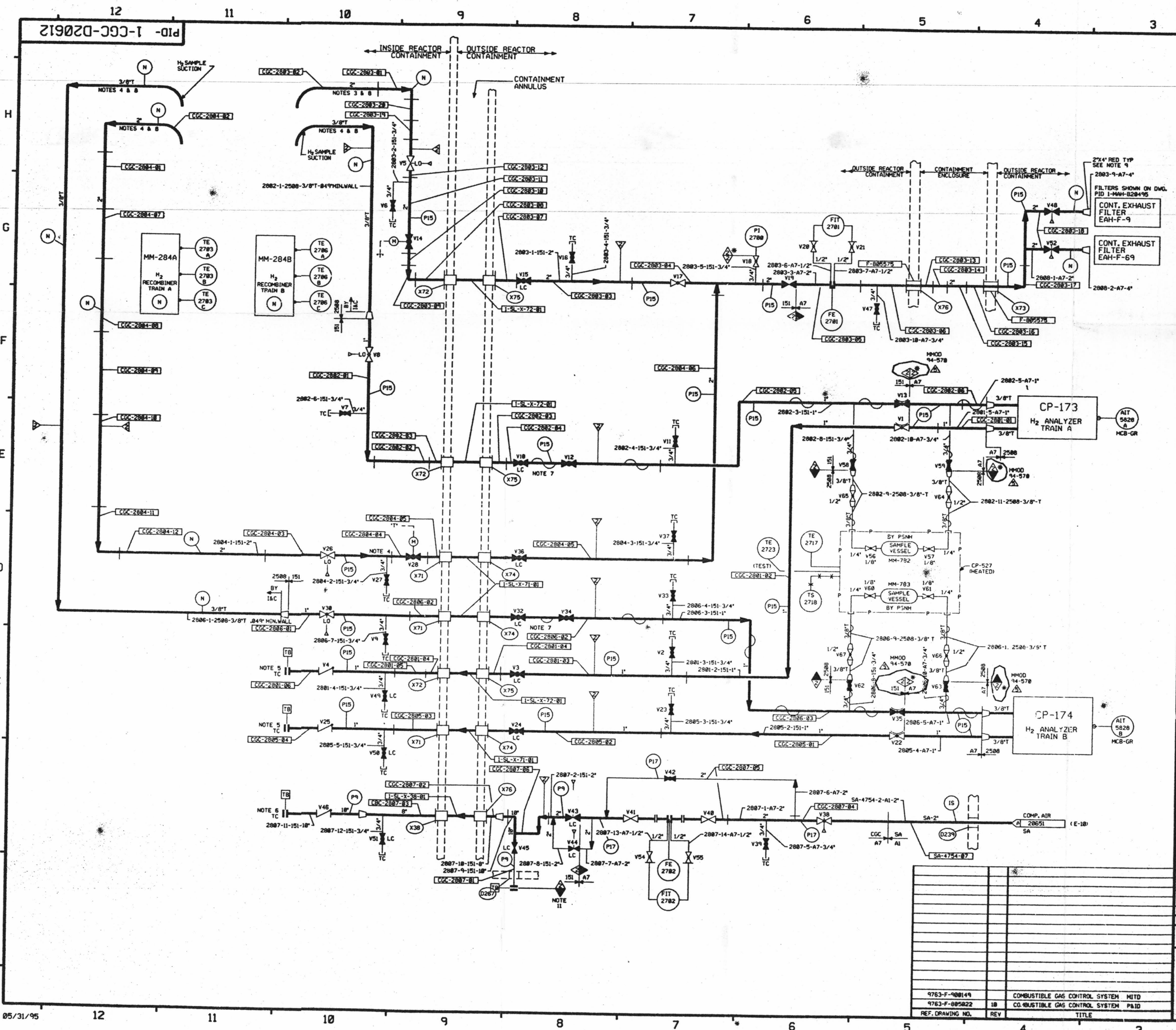


FOR INFORMATION ONLY



FOR PAID REFERENCE DRAWINGS, SYMBOLS AND ABBREVIATIONS REFER TO DRAWINGS PAID - LEGEND 1 AND PAID - LEGEND 2

**LEGEND**

DESIGN	TEST	MIN. TEST	TEST
PRESSURE	PRESSURE	TEMP.	MEDIUM
TEST BOUNDARY			
TEMPORARY TEST BOUNDARY			
INTEGRITY TEST	138 PSIG	162.5/172 PSIG	35 WATER
INTEGRITY TEST	158 PSIG	188/225 PSIG	35 WATER
INTEGRITY TEST	52 PSIG	65/69 PSIG	35 AIR
NO TEST REQUIRED			

NOTES:  
A. VENTS & DRAINS WITH CAPS/BLIND FLANGES E.T.C. SHALL BE TESTED TO THE LAST ISOLATION VALVE.

- NOTES:**
- THIS IS A ONE DRAWING SYSTEM.
  - ALL PIPING, VALVES, EQUIPMENT & INSTRUMENTS HAVE SYSTEM PREFIX CCG, UNLESS NOTED OTHERWISE.
  - PIPE IS TERMINATED INSIDE THE CONTAINMENT AT THE 183'-0" ELEV. & NEAR SAME AZIMUTH AS PENETRATION.
  - PIPE IS EXTENDED INSIDE CONTAINMENT 180° FROM PENETRATION & TERMINATES AT 183'-0" ELEV.
  - PIPE TERMINATES INSIDE THE CONTAINMENT AT 26'-3" ELEV. NEAR THE PENETRATION, USE BLIND FLANGE FOR TC. REMOVE FOR NORMAL OPERATION.
  - BLIND FLANGE WITH TC FITTING FOR PENETRATION LR TEST. REMOVE FOR NORMAL OPERATION.
  - HEAT TRACED TO 380° F.
  - H<sub>2</sub> SAMPLE SUCTION AND PURGE LINES TERMINATE IN A 90° ELBOW WITH OPEN END POINTING DOWN.
  - EACH 4" X 2" RED IS CENTERED IN THE FILTER INLET OPENING AND LOCATED 5" TO 6" AWAY FROM THE FACE OF THE SCREEN.
  - DELETED.
  - BLIND FLANGE REMOVED FOR CONNECTION TO POTABLE AIR COMPRESSORS FOR CONTAINMENT LEAK TEST AND PRESSURIZATION.
  - DELETED.
  - CLEANLINESS CLASS 'B'.
  - DELETED.
  - DELETED.
  - VENTS, DRAINS AND TEST CONNECTIONS CODE BREAKS ARE AT THE DOWNSTREAM END OF THE OUTER ISOLATION VALVE PER DESIGN STANDARD 1-MHY-08011 UNLESS NOTED.
  - △ INDICATES REVISION LEVEL.
  - SD NO IS SD-29

PORTIONS OF THIS DRAWING ARE  
**NUCLEAR SAFETY RELATED**

REV	DATE	DSGN	DNWN	CHKD	CODE	SES	DESCRIPTION
5	6/15/95	BCL					INCORP. HMOO 94-578 CAB
4	4/14/91	BCL					INCORP. HMOO 93-517 CAB
3	4/13/92	HRS					INCORP. HMOO 94-516 CAB
2	1/11/90	HRS	RNC	APL	COH	IV	REVISED TE TAG NOS PER NHY LOOP DIAG INCORPORATED DCR 89-29 CA 18 REVISED LEGEND NOTE A PER 1-MHY-08008 & NOTE 15 DELETED HMOO-1 SYMBOL & NOTE 12
1	8/3/88	HRJ	TAK	NRJ	VNK	RRC	REVISED PIPING PER ERECTION ISO. ADDED NOTES 1A, 1B, 1X, 1Y AND CONTAINMENT FLAME DRAG CONTROL CONNECTED NOTE REF. EGG083-1-18 PER LEG. PAID, DROPPED COMMON CONTROL TO INC. ADDED HMOO REF. ENG. DELETED NOTE 1A
0	8/27/88	DVS	DMC	BCL	JMS	RRC	ISSUED FOR OPERATIONS

**North Atlantic Energy Service Corporation**

**COMBUSTIBLE GAS CONTROL SYSTEM**

PID- 1-CGC-020612

D-12