



**Pacific Gas and  
Electric Company**

**Gregory M. Rueger**  
Senior Vice President and  
General Manager  
Nuclear Power Generation

77 Beale Street, 32nd Floor  
San Francisco, CA 94105  
*Mailing Address*  
Mail Code B32  
P.O. Box 770000  
San Francisco, CA 94177  
415.973.4684  
Fax: 415.973.2313

March 15, 2000

PG&E Letter DCL-00-040

U.S. Nuclear Regulatory Commission  
ATTN: Document Control Desk  
Washington, D.C. 20555-0001

Docket No. 50-275, OL-DPR-80

Diablo Canyon Unit 1

Special Report 00-02: Results of Steam Generator Tube Eddy Current Inspections  
During Unit 1 Ninth Refueling Outage

Dear Commissioners and Staff:

In accordance with Diablo Canyon Power Plant Technical Specifications 6.9.2, "Special Reports," and 4.4.5.5b, "Steam Generators," this special report provides the results of steam generator (SG) tube eddy current inspections performed during the Unit 1 ninth refueling outage, completed in March, 1999.

The enclosed tables provide the number and extent of tubes inspected in each SG and the location and percent through-wall of each indication identified.

Sincerely,

Gregory M. Rueger

cc: Steven D. Bloom  
Ellis W. Merschoff  
David L. Proulx  
State of California  
Diablo Distribution (w/o enc.)

Enclosure

DDM/469

A001

**SPECIAL REPORT 00-02**

**RESULTS OF STEAM GENERATOR TUBE EDDY CURRENT INSPECTIONS  
DURING UNIT 1 NINTH REFUELING OUTAGE**

**Introduction**

TS 4.4.5.5b requires that the results of steam generator (SG) tube inspections be submitted to the NRC within 12 months following completion of the inspection. The report shall include:

1. Number and extent of tubes inspected.
2. Location and percent of wall thickness penetration for each indication of an imperfection.
3. Identifications of tubes plugged.

Table 1 provides the number and extent of tubes inspected in each SG. 100% of tubes were full length inspected by bobbin coil, except for rows 1 and 2 U-bends which were inspected by rotating probes.

Table 2 provides the location and percent through-wall of each indication identified, and identifies the tubes that were plugged in the Unit 1 ninth refueling outage (1R9).

**Notes:**

1. Free span indications (e.g., manufacturing burnish mark) that had eddy current signals traceable to preservice inspection data are not considered as reportable indications and are not included in this report.
2. Bobbin distorted support signals that were not confirmed by Plus Point are not reportable indications and are not included in this report. A discussion of bobbin distorted support signals attributed to axial ODSCC are included in the 90 day report for voltage-based alternate repair criteria (ARC), submitted to the NRC in DCL-99-076 dated June 1, 1999.

**Abbreviations and Terms**

The following provides a definition of abbreviations and terms used in Tables 1 and 2.

SG	Steam Generator
Row	Row
Col	Column
Location	SG location codes (see Figure 1 for definitions)
Inch	Distance above or below the center line of the TSP or the top of TS, inches
Plugged	Tube plugged in 1R9
Deplugged	Tube was deplugged in 1R9
Bobbin	Differential inside diameter coil probe
RPC	Rotating probe
TSP	Tube support plate
TS	Tubesheet
Indication	Type of indication (either percent through wall or an Indication Code)
<b>INDICATION CODES</b>	
SAI	Single axial indication (from +Point exam) Note: SAI may be left in service for the following reasons: <ul style="list-style-type: none"> <li>• Voltage-based ARC for axial ODSCC at TSP intersections</li> <li>• W* ARC for axial PWSCC in WEXTEx tubesheet</li> <li>• Less than 40% through-wall axial PWSCC at dented TSP intersections</li> </ul>
SCI	Single circumferential Indication (from +Point exam)
SVI	Single volumetric indication (from +Point exam)

**Table 1**  
 Number and Extent of Tube Inspections During 1R9

SCOPE	PROBE TYPE	SG 11	SG 12	SG 13	SG 14
Full length (except Rows 1 and 2 U-bends)	Bobbin	100%	100%	100%	100%
Rows 1 and 2 U-bends	Plus Point	100%	100%	100%	100%, plus 20% of Row 3
Hot Leg top-of tubesheet	Plus Point	100%	100%	100%	100%
Dented TSP intersections	Plus Point	100% from 1H to 3H, 20% at 4H	100% from 1H to 6H, 20% at 7H	20% at 1H	100% from 1H to 3H, 20% at 4H
Distorted OD bobbin signals at TSP intersections	Plus Point	Voltage-based ARC	Voltage-based ARC	Voltage-based ARC	Voltage-based ARC
Distorted ID bobbin signals at TSP intersections	Plus Point	100%	100%	100%	100%
Free span dings	Plus Point	20% TSH to 3H	20% TSH to 6H	20% TSH to 1H	20% TSH to 3H
TSP ligament indications	Plus Point	20% of baseline	20% of baseline	20% of baseline	20% of baseline

**Table 2**  
Location and Percent Through-Wall of Indications Identified During 1R9

SG	Row	Column	Indication	Location	Inch	Status
11	3	2	SAI	TSH	-1.28	
11	1	5	SVI	TSC	17.57	Plugged
11	9	6	SAI	1H	-0.1	Plugged
11	9	6	SAI	1H	-0.01	Plugged
11	22	7	SAI	3H	-0.02	
11	14	12	SAI	1H	-0.05	Deplugged
11	23	14	SAI	3H	-0.1	
11	19	15	SAI	3H	0.1	
11	35	17	16	1C	-0.21	
11	30	19	SVI	TSH	-0.93	Plugged
11	24	20	SAI	2H	0	
11	30	21	SAI	2H	-0.05	
11	28	24	SVI	TSH	0.06	Plugged
11	34	24	SAI	3H	0	
11	14	27	SAI	2H	-0.1	Plugged
11	42	29	31	2C	-0.27	
11	36	30	SAI	2H	-0.14	
11	43	30	19	7H	36.96	
11	20	33	SAI	1H	-0.08	
11	44	34	42	2C	-0.2	Plugged
11	44	34	45	1C	-0.26	Plugged
11	17	35	20	7H	35.06	
11	28	35	SAI	1H	-0.01	Deplugged
11	44	37	40	2C	-0.26	Plugged
11	44	37	44	2C	0.2	Plugged
11	25	40	SAI	1H	0.02	Deplugged
11	27	40	SAI	1H	0.05	Deplugged
11	27	40	SAI	1H	0.05	Deplugged
11	28	41	SAI	4H	-0.01	Deplugged
11	28	41	SAI	1H	0.05	Deplugged
11	28	41	SAI	1H	-0.05	Deplugged
11	28	41	SAI	1H	-0.05	Deplugged
11	28	41	SAI	4H	-0.02	Deplugged
11	37	41	SAI	1H	0	Deplugged
11	37	41	SAI	2H	-0.02	Deplugged
11	38	42	SAI	3H	0.01	Plugged
11	29	43	SAI	1H	0.06	
11	40	43	33	7H	67.56	
11	40	43	37	7H	103.63	
11	40	43	34	7H	104.35	
11	20	44	SAI	TSH	-8.38	
11	29	44	SAI	2H	-0.11	Plugged
11	41	44	16	7H	107.09	
11	41	44	12	7H	137.68	
11	19	45	SCI	TSH	0.06	Plugged
11	29	45	SAI	1H	-0.04	Deplugged

**Table 2**  
Location and Percent Through-Wall of Indications Identified During 1R9

SG	Row	Column	Indication	Location	Inch	Status
11	42	45	SAI	3H	0	Deplugged
11	23	46	SAI	1H	-0.02	Plugged
11	37	46	32	7H	62.89	
11	26	47	SAI	1H	-0.03	Deplugged
11	27	47	SAI	1H	0.11	
11	28	48	21	7H	50.69	
11	28	48	24	7H	73.39	
11	28	48	15	7H	84.95	
11	20	51	SAI	1H	0.12	
11	46	51	33	1C	-0.17	
11	4	52	SAI	1H	0.04	
11	22	52	SAI	1H	0.01	Deplugged
11	22	52	SAI	1H	0	Deplugged
11	39	54	22	7H	65.94	
11	39	54	31	7H	101.24	
11	39	54	22	7H	129.46	
11	46	54	30	1C	-0.3	
11	44	55	0	2C	0.22	
11	39	56	20	7H	130.87	
11	20	57	SCI	TSH	-0.02	Plugged
11	11	58	SAI	2H	0.01	Deplugged
11	11	58	SAI	1H	0.06	Deplugged
11	11	58	SAI	1H	-0.07	Deplugged
11	44	58	SVI	2C	0.06	Plugged
11	5	59	SAI	1H	0.05	Deplugged
11	5	59	SAI	1H	0.05	Deplugged
11	5	59	SAI	2H	-0.04	Deplugged
11	5	59	SAI	2H	-0.04	Deplugged
11	5	59	SAI	1H	0.04	Deplugged
11	42	59	34	1C	-0.41	
11	44	59	16	1C	-0.03	
11	45	59	16	2C	-0.27	
11	44	60	20	2C	-0.21	
11	4	61	SAI	1H	-0.04	Deplugged
11	4	61	SAI	1H	-0.03	Deplugged
11	43	61	45	1C	-0.35	Plugged
11	44	61	0	1C	-0.38	
11	5	62	SAI	1H	-0.05	
11	5	62	SAI	1H	0.02	
11	5	62	SAI	1H	-0.07	
11	5	62	SAI	1H	-0.1	
11	5	62	SAI	1H	0.17	
11	25	62	23	7H	44.44	
11	25	62	29	7H	63.52	
11	42	62	26	1C	-0.31	
11	43	62	37	1C	-0.28	

**Table 2**  
Location and Percent Through-Wall of Indications Identified During 1R9

SG	Row	Column	Indication	Location	Inch	Status
11	5	64	SAI	1H	-0.2	Deplugged
11	5	64	SAI	1H	-0.09	Deplugged
11	41	64	0	2C	-0.18	
11	43	64	SVI	1C	-0.28	Plugged
11	42	65	25	1C	-0.36	
11	16	68	SAI	1H	-0.01	Deplugged
11	16	68	SAI	1H	0.17	Deplugged
11	40	68	19	7H	68.08	
11	40	68	27	7H	102.83	
11	39	69	43	1C	-0.33	Plugged
11	10	71	SAI	1H	-0.09	
11	22	71	SAI	2H	0.02	
11	38	72	32	1C	-0.3	
11	36	73	7	2C	-0.18	
11	39	73	25	1C	-0.31	
11	17	74	20	7H	34.05	
11	17	74	SAI	1H	-0.1	
11	17	74	SAI	3H	-0.16	
11	17	74	SAI	3H	-0.12	
11	17	74	SAI	1H	-0.13	
11	37	75	20	2C	-0.09	
11	17	76	SAI	1H	-0.24	Deplugged
11	22	76	SAI	3H	0.08	Plugged
11	35	76	0	2C	-0.22	
11	33	77	38	2C	-0.3	
11	36	77	3	2C	-0.18	
11	36	77	0	1C	0.31	
11	32	79	11	1C	0	
11	34	79	10	1C	-0.31	
11	20	80	SAI	2H	-0.22	Plugged
11	31	81	23	2C	-0.14	
11	9	82	SAI	1H	-0.02	
11	18	83	SAI	1H	0.02	Deplugged
11	29	83	30	2C	-0.14	
11	30	83	17	1C	-0.25	
11	29	84	28	2C	-0.16	
11	28	85	0	1C	-0.06	
11	25	86	10	2C	-0.18	
11	26	86	0	2C	-0.19	
11	14	87	SAI	2H	-0.01	
11	22	87	34	2C	-0.09	
11	24	87	20	2C	-0.18	
11	23	88	0	2C	-0.22	
11	18	89	23	2C	-0.21	
11	12	91	2	1C	-0.22	
11	4	92	29	2C	-0.09	

**Table 2**  
Location and Percent Through-Wall of Indications Identified During 1R9

SG	Row	Column	Indication	Location	Inch	Status
11	4	92	0	1C	0.09	
11	7	92	41	1C	-0.09	Plugged
11	15	92	33	1C	-0.15	
11	6	93	14	1C	0.03	
11	6	93	0	1C	0.06	
11	10	93	15	1C	-0.25	
11	11	93	0	1C	-0.31	
11	4	94	28	2C	0.06	
11	5	94	0	2C	0.11	
11	5	94	0	1C	-0.03	
12	2	1	3	1C	-0.2	
12	3	1	12	1C	-0.11	
12	4	1	18	2C	0.06	
12	5	1	2	2C	0.03	
12	6	1	40	2C	-0.14	Plugged
12	6	1	26	1C	0.09	Plugged
12	6	2	35	1C	0.03	
12	7	2	26	2C	-0.14	
12	8	2	36	2C	-0.14	
12	12	3	11	1C	-0.03	
12	13	3	8	1C	0	
12	15	3	36	1C	-0.14	
12	5	4	31	1C	-0.23	
12	11	4	39	1C	-0.2	
12	12	4	0	1C	-0.09	
12	14	5	14	2C	-0.23	
12	15	5	29	2C	-0.14	
12	18	5	35	2C	-0.06	
12	13	6	28	2C	-0.11	
12	19	6	6	1C	-0.31	
12	20	7	38	2C	-0.14	
12	23	7	18	2C	-0.37	
12	17	9	SAI	6H	-0.06	Plugged
12	15	10	SAI	1H	-0.05	
12	26	10	29	2C	-0.14	
12	27	10	3	2C	-0.26	
12	28	11	0	2C	-0.17	
12	29	12	0	2C	-0.17	
12	17	16	SAI	3H	-0.23	
12	7	17	SAI	1H	-0.05	Deplugged
12	8	17	SAI	1H	0.26	
12	25	17	SAI	2H	-0.23	
12	25	17	SAI	3H	-0.2	
12	26	17	SAI	3H	-0.25	
12	3	18	SAI	6H	-0.27	
12	36	18	38	2C	-0.32	



**Table 2**  
Location and Percent Through-Wall of Indications Identified During 1R9

SG	Row	Column	Indication	Location	Inch	Status
12	36	18	33	1C	-0.06	
12	35	19	0	2C	-0.17	
12	35	19	18	1C	-0.29	
12	37	19	29	1C	0.2	
12	5	20	SAI	6H	-0.05	
12	7	20	SAI	2H	-0.2	
12	8	20	SAI	2H	-0.24	
12	36	20	41	2C	-0.3	Plugged
12	38	21	39	1C	-0.03	
12	22	22	SAI	1H	0	Deplugged
12	38	22	5	2C	-0.27	
12	36	23	9	7H	62.49	
12	38	23	22	2C	-0.24	
12	28	24	SAI	1H	0.08	Deplugged
12	25	25	SAI	1H	-0.13	Deplugged
12	25	25	SAI	3H	0.02	Deplugged
12	25	25	SAI	5H	0.09	Deplugged
12	38	25	0	2C	-0.18	
12	38	25	8	1C	-0.36	
12	9	27	SAI	3H	-0.11	Plugged
12	11	27	SAI	1H	0	Plugged
12	7	28	SAI	2H	-0.1	Plugged
12	9	28	SAI	1H	-0.26	Plugged
12	35	28	SAI	1H	0	Deplugged
12	27	29	SAI	1H	0.05	Deplugged
12	7	31	SAI	1H	0.04	
12	43	31	41	1C	-0.23	Plugged
12	17	32	SAI	1H	-0.18	Plugged
12	24	32	SAI	1H	0.02	
12	25	32	SAI	1H	0	
12	37	32	SAI	3H	0.04	Plugged
12	43	32	4	1C	-0.2	
12	16	33	SAI	2H	0	
12	21	33	SAI	3H	0.1	Plugged
12	21	33	SCI	3H	-0.04	Plugged
12	41	33	6	1C	0	
12	43	33	30	1C	-0.26	
12	9	34	SAI	1H	0.29	
12	9	34	SAI	2H	0.24	
12	22	34	SAI	2H	0	Plugged
12	38	34	15	7H	34.53	
12	38	34	16	7H	65.65	
12	22	35	15	7H	25.49	
12	28	35	SAI	2H	-0.11	
12	30	35	SAI	1H	0	Deplugged
12	44	35	45	1C	0.09	Plugged

**Table 2**  
Location and Percent Through-Wall of Indications Identified During 1R9

SG	Row	Column	Indication	Location	Inch	Status
12	14	37	SAI	2H	0.04	
12	25	37	SAI	1H	0.06	
12	19	39	19	7H	48.06	
12	26	39	SAI	2H	0	
12	16	40	SAI	2H	0.05	
12	38	40	38	7H	35.24	
12	38	40	29	7H	66.21	
12	38	40	36	7H	98.48	
12	38	40	23	7H	129	
12	40	42	11	7H	35.81	
12	10	43	SAI	1H	-0.21	
12	14	43	SAI	1H	0.16	
12	20	43	SAI	1H	-0.17	Deplugged
12	20	43	SAI	1H	-0.08	Deplugged
12	20	43	SAI	1H	0.07	Deplugged
12	11	45	SAI	1H	-0.05	
12	41	46	17	7H	106.06	
12	6	47	SAI	1H	-0.23	Plugged
12	6	47	SAI	1H	0.05	Plugged
12	11	47	SAI	2H	-0.11	Plugged
12	17	47	SAI	1H	-0.11	
12	33	47	16	7H	86.45	
12	38	47	39	7H	66.44	Plugged
12	38	47	40	7H	98.52	Plugged
12	38	47	38	7H	129.43	Plugged
12	20	48	SAI	3H	-0.08	
12	24	48	SAI	4H	-0.27	
12	38	49	32	7H	129.77	
12	27	50	SAI	1H	-0.13	
12	28	50	SAI	1H	0.05	
12	32	50	23	7H	33.07	
12	32	50	20	7H	57.76	
12	32	50	28	7H	83.69	
12	41	50	12	7H	70.94	
12	29	51	SAI	2H	0.01	
12	31	51	SAI	1H	-0.11	
12	34	51	36	7H	88.68	
12	34	51	20	7H	115.3	
12	38	51	13	7H	98.62	
12	38	51	18	7H	98.68	
12	38	51	16	7H	128.59	
12	38	51	17	7H	128.76	
12	39	51	10	7H	36.56	
12	39	51	29	7H	68.46	
12	39	51	20	7H	101.75	
12	26	52	SAI	2H	0.03	

**Table 2**  
Location and Percent Through-Wall of Indications Identified During 1R9

SG	Row	Column	Indication	Location	Inch	Status
12	35	52	SAI	3H	-0.07	
12	38	52	22	7H	66.71	
12	41	52	11	7H	106.64	
12	7	53	SAI	3H	0.08	Plugged
12	38	53	30	7H	129.25	
12	33	54	14	7H	59.43	
12	40	54	33	7H	69.96	
12	40	54	20	7H	104.4	
12	40	54	20	7H	136.78	
12	21	55	26	7H	40.64	
12	21	55	16	7H	57.18	
12	25	55	SAI	2H	0.18	
12	28	55	SAI	2H	0.02	
12	32	55	37	7H	83.58	
12	16	57	SAI	1H	-0.07	Plugged
12	21	57	SAI	1H	-0.06	Plugged
12	22	57	SAI	1H	0.03	
12	25	57	SAI	1H	-0.05	Deplugged
12	25	57	SAI	1H	0.06	Deplugged
12	32	57	23	7H	58.11	
12	39	57	18	7H	101.5	
12	36	58	14	7H	63.4	
12	37	58	29	7H	34.75	
12	37	58	34	7H	65.13	
12	37	58	20	7H	96.93	
12	45	58	10	1C	0	
12	36	60	SAI	4H	0.25	
12	38	60	18	7H	35.44	
12	38	60	26	7H	66.52	
12	8	61	SAI	2H	0.14	
12	29	61	SAI	3H	-0.05	
12	38	61	SAI	1H	0.25	Plugged
12	21	62	SAI	1H	0	Deplugged
12	36	63	20	7H	63.6	
12	36	63	33	7H	94.55	
12	39	63	SAI	2H	0.18	Plugged
12	36	64	28	7H	34.95	
12	36	64	37	7H	63.49	
12	36	64	24	7H	94.48	
12	38	64	23	7H	99.08	
12	38	64	28	7H	129.33	
12	39	64	SAI	1H	0.26	
12	43	64	28	2C	-0.17	
12	12	65	SAI	2H	0.22	
12	16	66	SAI	1H	0.06	Plugged
12	34	66	16	7H	89.09	

**Table 2**  
Location and Percent Through-Wall of Indications Identified During 1R9

SG	Row	Column	Indication	Location	Inch	Status
12	38	66	10	7H	98.75	
12	38	66	24	7H	128.92	
12	38	66	SAI	1H	0.13	
12	15	67	SAI	2H	0.05	
12	19	67	22	7H	35.58	
12	19	67	19	7H	37.17	
12	19	67	22	7H	49.9	
12	19	67	20	7H	50.89	
12	19	67	20	7H	61.97	
12	38	67	12	7H	98.27	
12	26	68	18	7H	28.01	
12	26	68	16	7H	46.28	
12	26	68	22	7H	67.86	
12	26	68	29	7H	86.31	
12	33	68	SAI	2H	0.06	
12	36	68	23	7H	35.6	
12	36	68	19	7H	62.94	
12	40	68	SAI	2H	-0.11	
12	4	69	SAI	1H	0.01	
12	6	69	SAI	2H	0.25	
12	35	69	SAI	2H	-0.07	
12	39	69	23	7H	131.93	
12	9	70	SAI	1H	0.04	Plugged
12	27	71	SAI	1H	-0.12	
12	39	71	18	7H	67.76	
12	39	71	22	7H	100.07	
12	38	72	16	7H	65.96	
12	38	72	14	7H	98.03	
12	19	74	SAI	2H	-0.06	
12	37	74	SAI	3H	0.01	Plugged
12	13	75	SAI	2H	-0.17	Plugged
12	13	75	SAI	2H	0.05	Plugged
12	18	75	SCI	4H	0.01	Plugged
12	29	75	SAI	1H	0.01	Plugged
12	5	77	SAI	5H	-0.17	
12	17	79	SAI	1H	0.29	
12	19	79	SAI	1H	0.29	
12	26	79	SAI	1H	0.01	
12	8	80	SAI	2H	-0.17	Plugged
12	8	80	SCI	4H	0.22	Plugged
12	9	82	SAI	3H	0.18	Plugged
12	23	82	SAI	1H	0.16	
12	12	83	SAI	2H	-0.01	
12	5	84	SAI	1H	-0.57	Plugged
12	13	84	SAI	1H	0.06	
12	13	84	SAI	2H	0.23	

**Table 2**  
Location and Percent Through-Wall of Indications Identified During 1R9

SG	Row	Column	Indication	Location	Inch	Status
12	5	86	SAI	5H	-0.27	Plugged
12	9	87	SAI	4H	-0.04	Plugged
12	20	87	SAI	1H	-0.1	Deplugged
12	20	87	SAI	1H	0.04	Deplugged
12	20	87	SAI	1H	0.11	Deplugged
12	19	89	0	2C	-0.23	
12	8	90	SAI	3H	-0.14	Plugged
12	8	91	SAI	1H	0.21	
12	14	91	38	1C	-0.15	
12	2	92	SAI	5H	-0.03	
12	2	92	SAI	5H	0.19	
12	8	92	20	2C	-0.17	
12	9	92	35	2C	-0.06	
12	13	92	24	2C	-0.06	
12	6	93	15	1C	-0.32	
12	11	93	18	2C	-0.12	
12	4	94	32	1C	0.12	
12	7	94	17	1C	-0.3	
13	2	1	SVI	TSC	18.61	Plugged
13	15	4	0	1C	-0.24	
13	21	25	10	7H	39.59	
13	33	27	11	7H	86.5	
13	41	28	10	2C	-0.25	
13	42	28	2	2C	-0.2	
13	36	31	SVI	TSH	0.27	Plugged
13	42	32	8	2C	-0.2	
13	23	33	10	7H	42.92	
13	12	34	23	7H	31.73	
13	37	34	18	7H	97.03	
13	40	34	17	7H	68.24	
13	40	34	24	7H	103.98	
13	40	34	12	7H	134.26	
13	31	36	SAI	TSH	-2.79	
13	36	36	12	7H	62.23	
13	43	36	20	2C	-0.2	
13	33	37	SAI	TSH	-5.8	
13	41	37	SAI	2H	0	Plugged
13	41	37	SAI	2H	0.08	Plugged
13	43	37	15	2C	-0.17	
13	32	38	10	7H	32.04	
13	32	38	25	7H	56.88	
13	34	39	16	7H	33.01	
13	35	41	8	7H	61.41	
13	40	41	24	7H	103.91	
13	40	41	28	7H	134	
13	42	41	9	7H	109.31	

**Table 2**  
Location and Percent Through-Wall of Indications Identified During 1R9

SG	Row	Column	Indication	Location	Inch	Status
13	45	43	0	2C	-0.09	
13	28	45	9	7H	51.06	
13	28	45	9	7H	72.93	
13	29	45	15	7H	75.15	
13	30	45	SAI	TSH	-2.06	
13	37	45	24	7H	64.72	
13	37	45	35	7H	96.86	
13	37	45	24	7H	124.31	
13	38	45	18	7H	99.11	
13	39	45	12	7H	67.68	
13	39	45	10	7H	102.34	
13	39	46	SAI	TSH	-2.32	
13	35	48	15	7H	61.72	
13	35	48	12	7H	91.46	
13	31	49	11	7H	54.52	
13	37	50	34	7H	64.04	
13	41	50	15	7H	70	
13	41	50	15	7H	105.93	
13	41	50	22	7H	137.48	
13	28	52	12	7H	72.9	
13	28	52	11	7H	50.33	
13	39	52	12	7H	67.17	
13	41	52	10	7H	106.3	
13	41	52	10	7H	70.47	
13	9	55	SAI	1H	-0.02	Deplugged
13	9	55	SAI	1H	-0.02	Deplugged
13	36	55	10	7H	62.57	
13	9	56	SAI	1H	-0.16	Deplugged
13	9	56	SAI	2H	-0.06	Deplugged
13	9	56	SAI	6H	-0.11	Deplugged
13	9	56	SAI	6H	-0.07	Deplugged
13	9	56	SAI	6H	-0.05	Deplugged
13	28	56	10	7H	50.7	
13	28	56	11	7H	73.34	
13	33	56	31	7H	33.59	
13	33	56	25	7H	111.02	
13	33	56	36	7H	86.3	
13	33	56	29	7H	58.24	
13	36	56	21	7H	93.64	
13	36	56	26	7H	62.55	
13	36	56	16	7H	121.87	
13	33	57	19	7H	57.65	
13	35	57	15	7H	60.88	
13	36	57	16	7H	93.11	
13	30	58	27	7H	78.2	
13	30	58	19	7H	29.94	

**Table 2**  
Location and Percent Through-Wall of Indications Identified During 1R9

SG	Row	Column	Indication	Location	Inch	Status
13	30	58	32	7H	52.96	
13	30	58	17	7H	100.87	
13	34	58	17	7H	59.44	
13	34	58	34	7H	88.18	
13	37	58	24	7H	64.49	
13	37	58	37	7H	96.17	
13	37	58	17	7H	124.55	
13	33	59	0	7H	143.21	
13	36	59	12	7H	93.36	
13	43	59	9	7H	110.97	
13	15	60	SVI	TSH	0.21	Plugged
13	9	61	SAI	1H	-0.05	Deplugged
13	9	61	SAI	1H	-0.01	Deplugged
13	9	61	SAI	1H	0.1	Deplugged
13	9	61	SAI	2H	-0.02	Deplugged
13	32	61	20	7H	56.52	
13	32	61	33	7H	83.17	
13	32	61	16	7H	33.33	
13	36	61	20	7H	121	
13	36	61	30	7H	93.95	
13	36	61	29	7H	62.24	
13	41	61	11	7H	69.41	
13	9	63	SAI	4H	-0.08	
13	40	63	13	7H	134.39	
13	41	63	SAI	2H	-0.11	
13	41	63	SAI	2H	0.09	
13	15	64	12	7H	41.01	
13	33	64	15	7H	57.74	
13	33	64	14	7H	32.39	
13	43	64	35	1C	-0.22	
13	43	65	SVI	2C	-0.36	Plugged
13	9	66	SAI	1H	0	Deplugged
13	9	66	SAI	1H	0.02	Deplugged
13	39	66	24	7H	130.66	
13	34	68	13	7H	59.91	
13	35	68	11	7H	116.33	
13	37	68	11	7H	95	
13	37	68	22	7H	64.58	
13	37	69	27	7H	95	
13	39	69	10	7H	67.63	
13	9	70	SAI	3H	-0.15	Deplugged
13	9	70	SAI	5H	-0.01	Deplugged
13	37	70	11	7H	64.7	
13	37	70	20	7H	94.67	
13	10	71	SAI	1H	0.01	
13	10	71	SAI	3H	-0.17	

**Table 2**  
Location and Percent Through-Wall of Indications Identified During 1R9

SG	Row	Column	Indication	Location	Inch	Status
13	37	75	5	2C	-0.31	
13	34	78	1	2C	-0.26	
13	23	82	10	7H	43.43	
13	19	88	20	1C	0.06	
14	3	2	43	2C	-0.21	Plugged
14	9	2	29	2C	-0.29	
14	4	3	10	2C	-0.09	
14	4	3	0	1C	-0.21	
14	6	3	20	2C	-0.21	
14	9	5	14	2C	0.09	
14	4	6	SAI	3H	-0.02	Deplugged
14	17	6	12	2C	-0.12	
14	18	6	20	2C	-0.06	
14	19	6	41	2C	-0.18	Plugged
14	23	7	SAI	TSH	-8	
14	9	9	SAI	3H	-0.13	
14	27	11	23	2C	-0.12	
14	8	12	SAI	TSH	-0.72	Plugged
14	27	12	15	2C	-0.09	
14	28	12	27	2C	-0.09	
14	24	13	13	2C	-0.21	
14	12	14	SAI	3H	-0.02	
14	33	16	8	2C	-0.19	
14	34	16	29	2C	-0.27	
14	33	18	SVI	2C	-0.29	Plugged
14	35	18	19	2C	-0.22	
14	35	18	39	1C	0.11	
14	36	19	21	2C	-0.22	
14	35	20	25	2C	-0.17	
14	35	21	25	2C	-0.17	
14	38	21	10	2C	-0.19	
14	35	22	0	2C	-0.11	
14	26	23	SVI	2H	-0.19	Plugged
14	38	23	37	2C	-0.22	
14	17	24	SAI	1H	0.33	
14	20	25	SAI	1H	-0.67	
14	33	33	12	7H	109.58	
14	27	34	SAI	1H	-0.08	
14	29	34	17	7H	75.05	
14	29	34	19	7H	31.84	
14	29	34	28	7H	95.58	
14	31	34	22	7H	53.21	
14	31	34	18	7H	102.15	
14	31	34	27	7H	79.82	
14	44	34	23	2C	-0.22	
14	27	36	SAI	4H	-0.12	



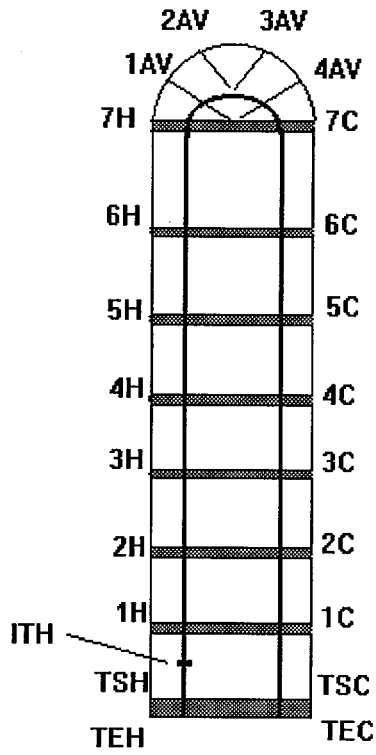
**Table 2**  
Location and Percent Through-Wall of Indications Identified During 1R9

SG	Row	Column	Indication	Location	Inch	Status
14	32	36	27	7H	55.99	
14	32	36	13	7H	34.79	
14	35	36	SAI	2H	0.27	Deplugged
14	43	37	11	7H	72.55	
14	42	40	14	7H	39.82	Plugged
14	42	40	25	7H	71.65	Plugged
14	42	40	SVI	TSH	0.23	Plugged
14	31	42	20	7H	35.87	
14	31	42	14	7H	56.59	
14	46	42	SAI	1H	-0.09	
14	32	43	23	7H	103	
14	35	44	31	7H	37.49	
14	36	46	26	7H	119.38	
14	43	46	10	7H	143.55	
14	39	48	SAI	3H	0.16	Deplugged
14	28	51	17	7H	50.81	
14	28	51	38	7H	71.44	
14	28	51	18	7H	34.25	
14	28	51	17	7H	52.83	
14	36	52	29	7H	62.9	
14	36	52	37	7H	91.65	
14	36	52	24	7H	123.9	
14	33	53	12	7H	34.99	
14	35	53	28	7H	60.58	
14	35	53	15	7H	121.64	
14	37	53	13	7H	63.71	
14	37	53	24	7H	37.42	
14	37	53	35	7H	94.76	
14	37	53	14	7H	127.49	
14	31	55	20	7H	54.6	
14	31	55	24	7H	79.14	
14	26	56	19	7H	87.58	
14	35	56	SAI	3H	0.07	
14	43	56	33	7H	110.17	
14	43	56	37	7H	145.86	
14	43	56	25	7H	146.28	
14	28	57	SAI	TSH	-6.59	
14	28	57	SAI	TSH	-2.75	
14	36	57	19	7H	33.93	
14	36	57	13	7H	61.48	
14	43	57	30	7H	145.58	
14	43	57	30	7H	110.54	
14	44	57	9	2C	-0.06	
14	35	58	35	7H	60.13	
14	35	58	9	7H	90.07	
14	35	58	17	7H	32.97	

**Table 2**  
Location and Percent Through-Wall of Indications Identified During 1R9

SG	Row	Column	Indication	Location	Inch	Status
14	39	58	27	7H	101.13	Deplugged
14	39	58	14	7H	133.45	Deplugged
14	39	58	12	7H	36.81	Deplugged
14	39	58	SAI	TSH	-6.44	Deplugged
14	39	58	SAI	1H	0.22	Deplugged
14	44	58	11	7H	74.25	
14	45	58	31	2C	-0.19	
14	45	58	22	7H	115.81	
14	36	59	12	7H	93.32	
14	43	59	12	7H	110.49	
14	36	61	22	7H	123.81	
14	36	61	23	7H	122.73	
14	36	61	36	7H	61.38	
14	36	61	24	7H	92.58	
14	42	61	30	7H	70.8	
14	38	62	11	7H	130.02	
14	40	63	11	7H	103.02	
14	40	63	20	7H	68.36	
14	41	63	15	7H	105.43	
14	14	64	SVI	TSH	3.66	Plugged
14	31	64	12	7H	53.28	
14	40	64	23	7H	68.2	
14	40	64	33	7H	103.3	
14	35	65	15	7H	36.46	
14	35	65	27	7H	59.97	
14	35	65	19	7H	90.16	
14	43	65	31	7H	109.82	
14	16	66	SAI	1H	-0.12	Deplugged
14	16	66	SAI	1H	0.03	Deplugged
14	35	66	25	7H	60.08	
14	35	66	16	7H	36.42	
14	35	66	21	7H	90.16	
14	37	66	15	7H	63.62	
14	37	66	10	7H	95.49	
14	37	66	11	7H	37.73	
14	31	67	19	7H	80.29	
14	31	67	12	7H	107.3	
14	35	68	SAI	3H	-0.13	
14	31	72	13	7H	106.96	
14	21	76	SAI	1H	-0.11	
14	21	84	SAI	1H	0.07	Deplugged
14	6	86	SAI	1H	0.21	
14	9	89	SAI	1H	0.28	
14	1	91	SVI	TSH	20.2	Plugged
14	2	92	13	1C	-0.24	

**Figure 1**  
 SG Eddy Current Location Code Definitions



- TEH -- Tube End HL (Hot Leg)
- TSH -- Top of Tube Sheet HL
- ITH -- Implant Top Hot (applies to  
16 tubes in SG 1-1 only)
- 1H -- 1st TSP (Tube Support Plate) HL
- 2H -- 2nd TSP HL
- 3H -- 3rd TSP HL
- 4H -- 4th TSP HL
- 5H -- 5th TSP HL
- 6H -- 6th TSP HL
- 7H -- 7th TSP HL
- 1AV -- 1st AVB (Anti-Vibration Bar)
- 2AV -- 2nd AVB
- 3AV -- 3rd AVB
- 4AV -- 4th AVB
- 7C -- 7th TSP CL (Cold Leg)
- 6C -- 6th TSP CL
- 5C -- 5th TSP CL
- 4C -- 4th TSP CL
- 3C -- 3rd TSP CL
- 2C -- 2nd TSP CL
- 1C -- 1st TSP CL
- TSC -- Top of Tube Sheet CL
- TEC -- Tube End CL