

Date Entered: Mar 08, 2000

TO: USNRC/WASHINGTON
JMCKNIGHT
Copy Number: 145

TRANSMITTAL NUMBER: 144728

PROCEDURE NUMBER: EI-6.13

TITLE: PROTECTIVE ACTION RECOMMENDATIONS FOR
OFFSITE POPULATIONS

TRANSMITTAL: LISTED BELOW ARE NEW/REVISED PROCEDURES WHICH MUST BE
IMMEDIATELY INSERTED INTO OR DISCARDED FROM YOUR PROCEDURE
MANUAL.

Action Required	Section or Description
REMOVE AND DESTROY	EI-6.13, R/9, COVERSHEET AND ATTACHMENT 1, PAGES 1-2
REPLACE WITH	EI-6.13, R/9, COVERSHEET AND ATTACHMENT 1, PAGES 1-2 EDITORIAL

*SIGN, DATE, AND RETURN THE ACKNOWLEDGEMENT FORM WITHIN 10 DAYS TO THE PALISADES
PLANT DOCUMENT CONTROL.*

SIGNATURE OR INITIALS

DATE

A045

PALISADES NUCLEAR PLANT
EMERGENCY IMPLEMENTING PROCEDURE

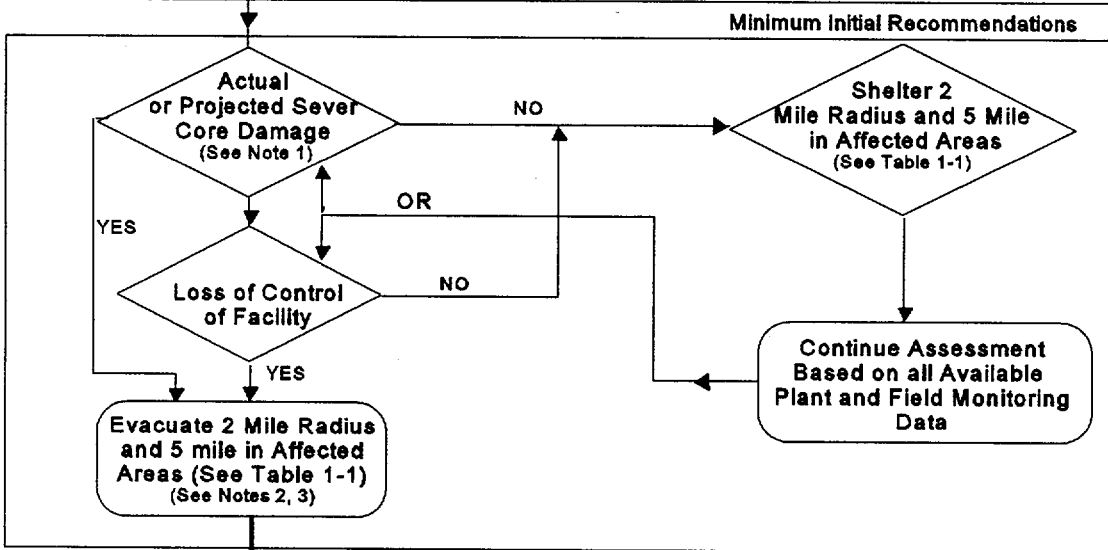
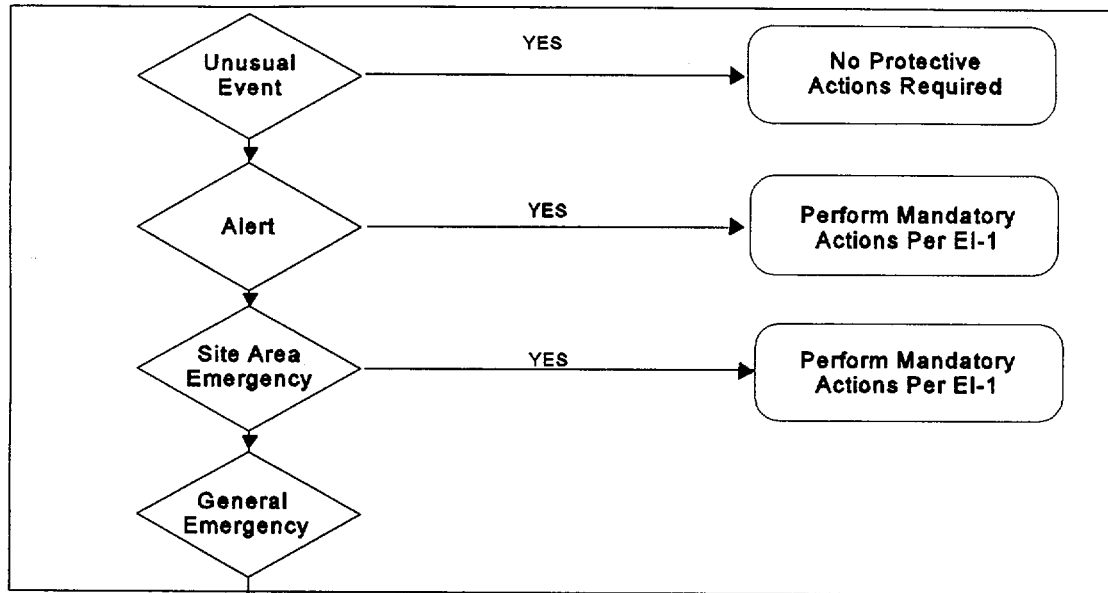
TITLE: PROTECTIVE ACTION RECOMMENDATIONS FOR OFFSITE POPULATIONS

JRBreunert / 3/8/00
Procedure Sponsor Date

KLPenrod / 5/28/97
Technical Reviewer Date

TPNeal / 7/31/97
User Reviewer Date

**PROTECTIVE ACTION RECOMMENDATIONS
 FOR OFFSITE POPULATION**



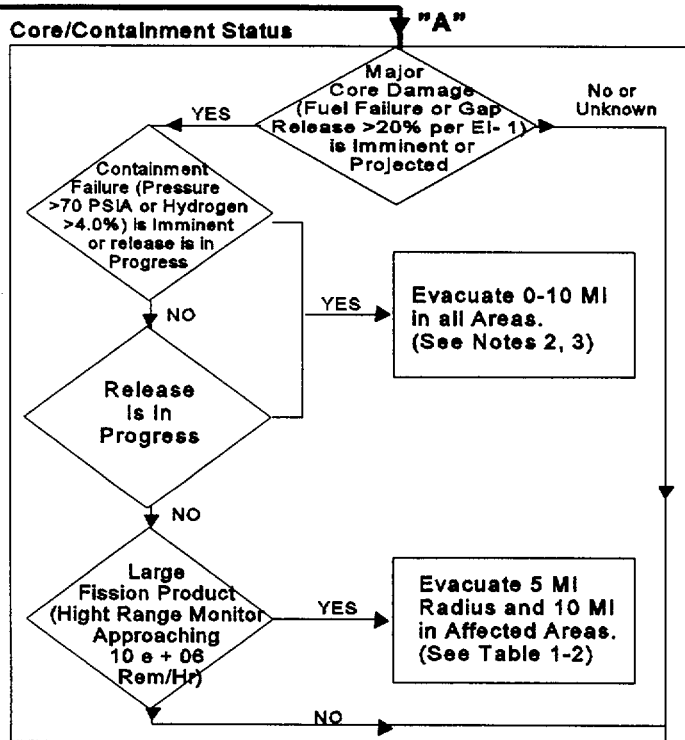
GO TO "A" ON PAGE 2

Conversion Table 1-1
 (For PAR's Out To 5 Miles)
 Convert Wind Direction Degrees
 from to Downwind Areas

Wind direction Degrees (FROM):	Areas Affected:
> 169° and 236°	1 and 2
> 236° and 303°	1, 2, and 3
> 303° and 56°	1 and 3

NOTE 1: Server core damage is indicated by (1) loss of critical functions required for core protection (eg, loss of injection combined with a LOCA); (2) high core temperatures; (3) very high radiation levels in area or process monitors.

**PROTECTIVE ACTION RECOMMENDATIONS
 FOR OFFSITE POPULATION**



**CONVERSION TABLE 1-2
 (FOR PAR's OUT TO 10 MILES)**

Convert
 Wind Direction Degrees from
 to Downwind Areas

Wind Direction Degrees (FROM):	Areas Affected:
>169° and 236°	1, 2, 3, and 4
>236° and 303°	1, 2, 3, 4, and 5
>303° and 56°	1, 2, 3, and 5

NOTE 2: If there are very dangerous travel conditions, initially, shelter rather than evacuate until conditions improve.

NOTE 3: Shelter may be the appropriate action for controlled releases from containment if there is assurance that the release is short term (puff release) and the area near the Plant cannot be evacuated before plume arrives.

Site Dose Status Calculated Measure Under Actual Suspected Release Conditions

