



P21 99-42-1

Swagelok Company
29500 Solon Road, Solon, OH 44139
Phone: 440-248-4600
Fax: 440-519-7384
FACSIMILE COVER SHEET

Date: October 6, 1999
To: Document Control Desk
From: Bruce Flusche/ Technical Service

Total Pages:3

Subject: Possible 10CFR21 Notification

This is a preliminary notification of a possible defect in a Swagelok tube fitting, part number SS-400-3-4TTM, male branch tee. A drawing of the part is included with this notification. We are also notifying each of the involved utilities.

We became aware of this on October 4, 1999

The defect is a crack in the seat of the fitting. We are continuing our analysis of the part and will provide further details in accordance with NRC timetables. Following are the six utilities to whom we have sold these parts:

Georgia Power Company
Plant Vogtle
P.O.# 70306960022
10 pcs. SS-400-3-4TTM
Product I.D. R17F30508

Duke Power Company
Oconee Nuclear Station
Ref. ON 3350 7310 052
100 pcs. SS-400-3-4TTM
Product I.D. R17ECO510B

Arizona Public Service Co.
Palo Verde Nuclear Generating Station
P.O. #500217158
15 pcs. SS-400-3-4TTM
Product I.D. R17KL0509

140048

1/1
J E 19

Swagelok Company
29500 Solon Road, Solon, OH 44139
Phone: 440-248-4600
Fax: 440-519-7384
FACSIMILE COVER SHEET

Date: October 6, 1999
To: Document Control Desk
From: Bruce Flusche/ Technical Service
Total Pages: 3
Subject: Possible 10CFR21 Notification

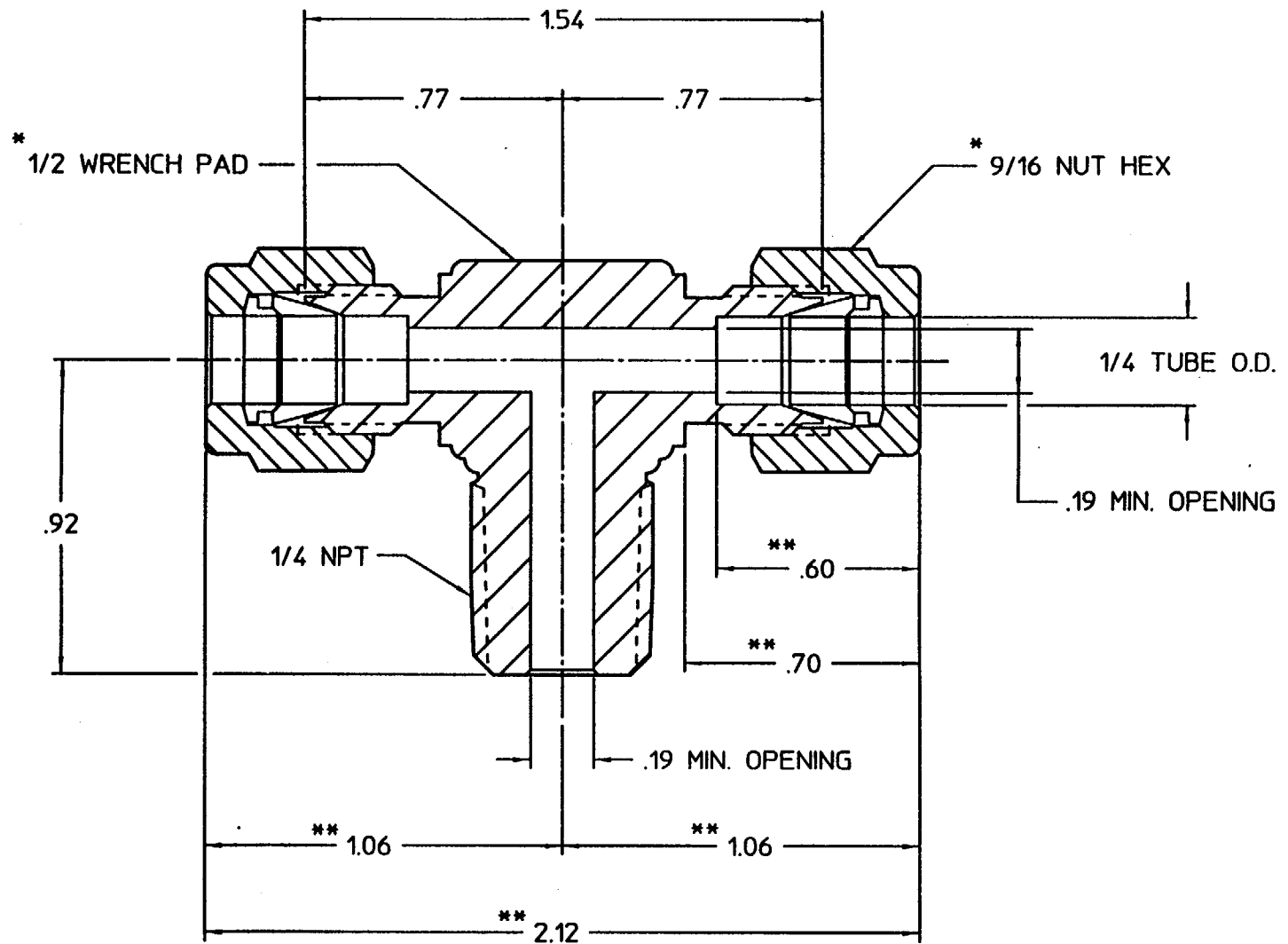
Document Control Desk
October 6, 1999
Page 2

North Atlantic Energy Service Co.
Seabrook Station P.O. 02055171
10 pcs. SS-400-3-4TTM
Product I.D. R17KL0509B

Virginia Power
Surry Power Station
PO BNT 448898 Rel.292
3 pcs. SS-400-3-4TTM
Product I. D. R17KL0509

Omaha Public Power District
Ft. Calhoun Nuclear Station
P.O. C500635 Q
10 Pcs. SS-400-3-4TTM
Product I. D. R17KL0509B

PART NO:
SS-400-3-4TTM



4. BOTH TUBE PORTS ARE IDENTICAL.
 3. ALL DIMENSIONS ARE IN INCHES FOR REFERENCE ONLY AND SUBJECT TO CHANGE.
 2. ** ARE TYPICAL FINGER-TIGHT DIMENSIONS.

NOTES: 1. * DIMENSIONS ARE ACROSS HEX FLATS.

Page 3

SUPERSEDES	PREPARED BY JN	APPROVED BY JN	DATE 10-5-99	Swagelok SWAGELOK COMPANY	SS-400-3-4TTM
------------	-------------------	-------------------	-----------------	------------------------------	---------------