

1. ALL EQUIPMENT AND INSTRUMENTS ARE PREFIXED BY SYSTEM NUMBER (2C71), UNLESS OTHERWISE NOTED.
2. FOR LOCATION AND IDENTIFICATION OF INSTRUMENTS, SEE INSTRUMENT DATA SHEET LISTED IN MPL FOR EACH INSTRUMENT.
3. TRIP CHANNELS FOR THE "TURBINE CONTROL VALVE FAST CLOSURE" TRIP SHALL BE DERIVED FROM THOSE EVENTS CAUSING FAST CLOSURE OF THE CONTROL VALVES.
4. ALL FUNCTIONAL CONTROL DIAGRAMS ARE SUPERSEDED BY ELECTRICAL ELEMENTARY DIAGRAMS.

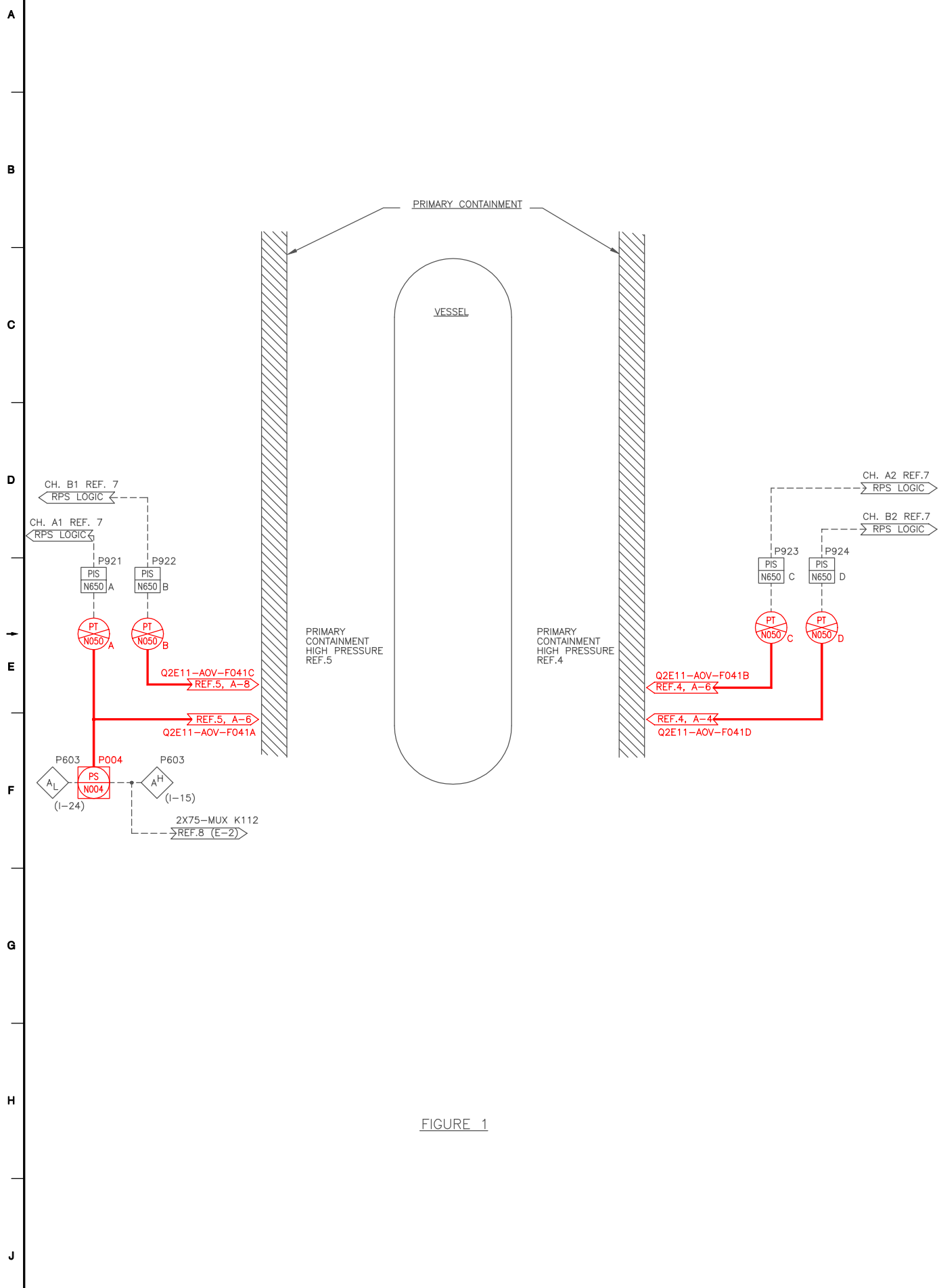


FIGURE 1

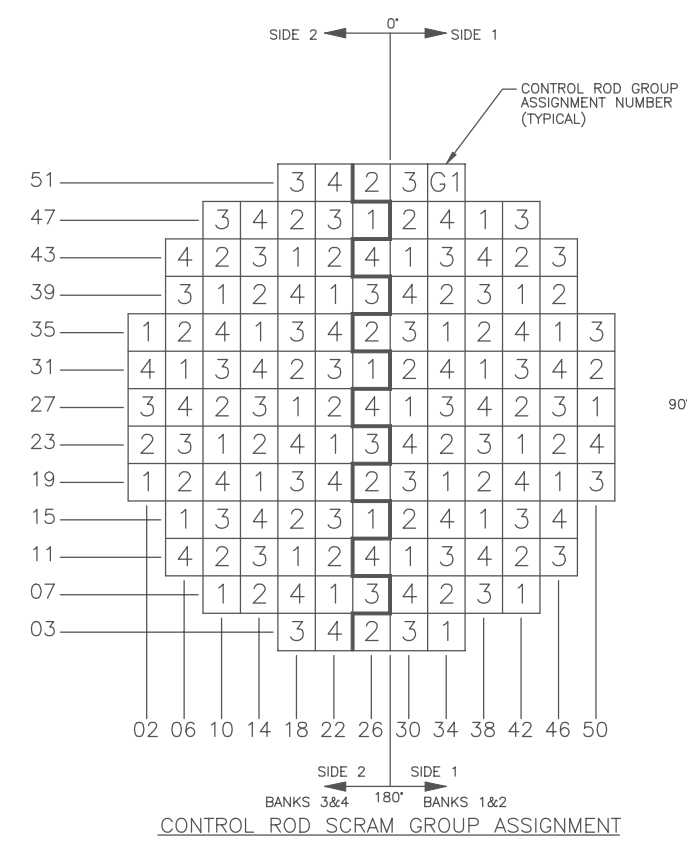


FIGURE 2 (TOP VIEW OF CORE)

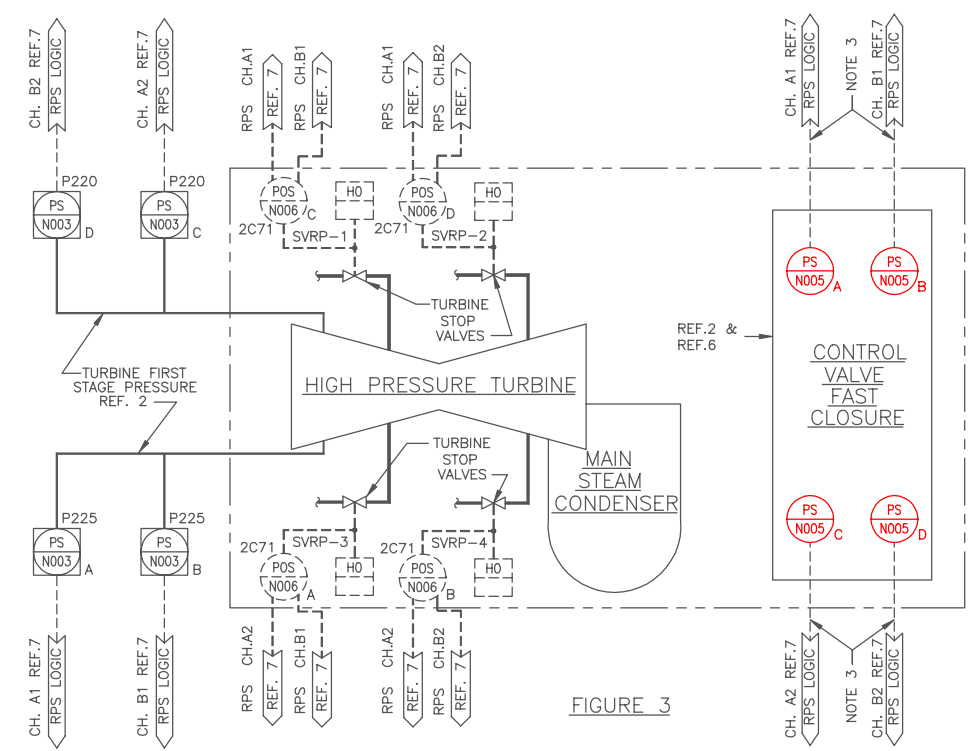


FIGURE 3

REFERENCES

TITLE	MPL NO.	DWG. NO.
1. PIPING AND INSTRUMENT SYMBOLS	2A41-1010	SX-28760
2. PLANT REQUIREMENTS	2A61-4020	S-25706
3. REACTOR PROTECTION SYSTEM DESIGN SPEC	2C71-4010	S-25319
4. RESIDUAL HEAT REMOVAL SYSTEM P&ID, SHEET 1	2E11-1010	H-26014
5. RESIDUAL HEAT REMOVAL SYSTEM P&ID, SHEET 2	2E11-1010	H-26015
6. TURBINE & GENERATOR AUX. SYSTEM IED: TURBINE VALVES	2N32-1010	H-21242
7. REACTOR PROTECTION SYSTEM 2C71 ELEMENTARY DIAGRAMS SHEETS 1-16	2C71-1020	H-27605 THRU H-27619 & H-27850
8. ANNUNCIATOR SIGNALS TO TSC I.E.D.	2X75-1010	H-26159

BOUNDARY DIAGRAM NO.: 2B21-B02-15
 FUNCTION(S) NO.: 2723-01
 2C71-01
 PREPARED BY: WILLIE JENNINGS
 DATE: 7/15/98
 REVIEWED BY: WILLIAM P EVANS
 DATE: 7/15/98

LICENSE RENEWAL DOCUMENT

MPL NO 2C71-1010 ACAD14 HL28001



LICENSE RENEWAL SCREENING FOR INFORMATION ONLY

EDWIN I. HATCH NUCLEAR PLANT UNIT No.2
 REACTOR PROTECTION SYSTEM P&ID

Revision: A Date: 11-10-99
 APPROVED, ISSUED PER LICENSE RENEWAL BOUNDARY PACKAGES. DRAWING CREATED FROM H-28001, REV.5; BY TRM.

BY	CHK'D	APPR.	LOCATION	DOCUMENT NUMBER	REVISION
TRM	RLM	ASK	None	10-502	HL-28001