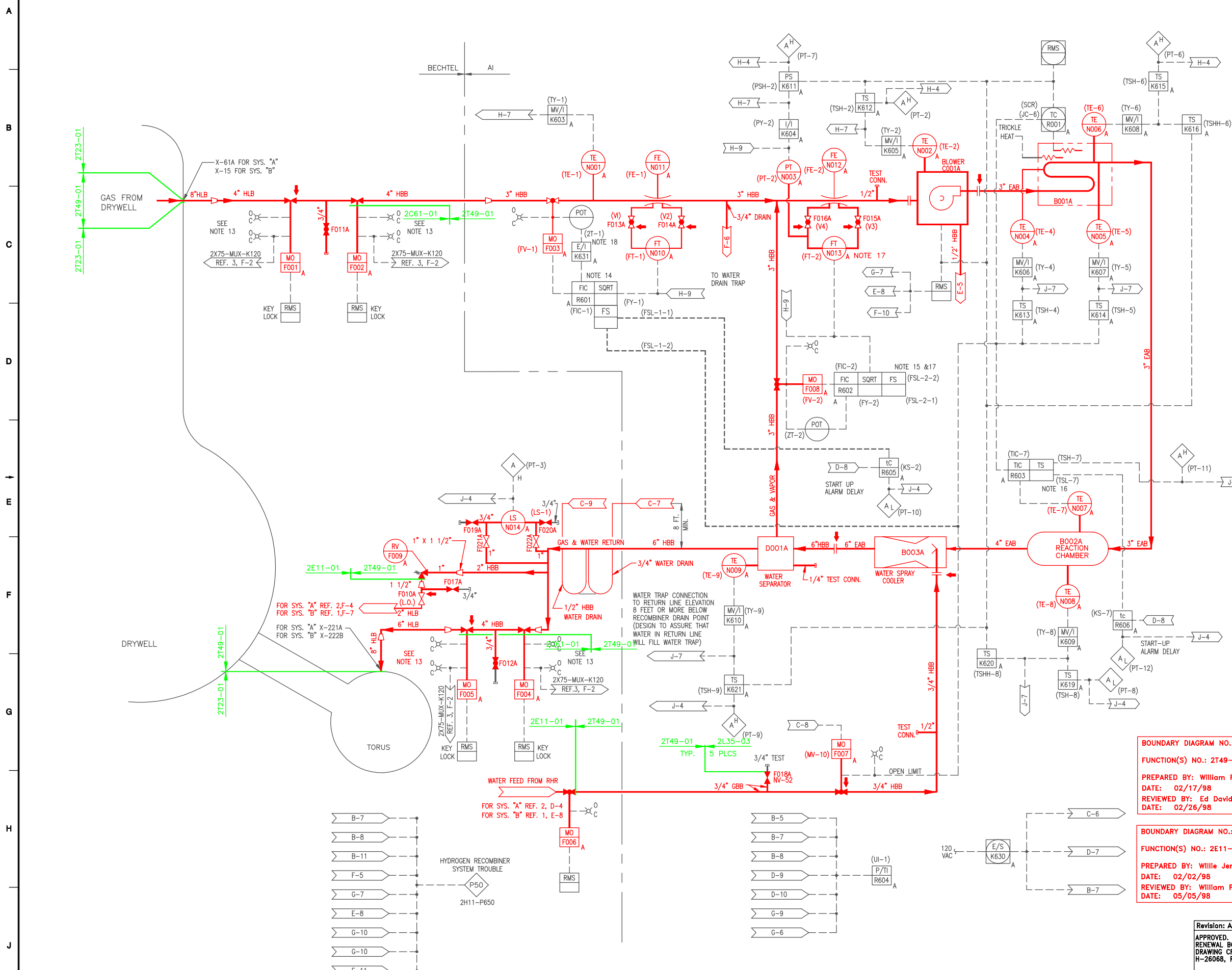


1. ALL EQUIPMENT AND INSTRUMENTS PREFIXED BY SYSTEM MPL NO. 2149 UNLESS OTHERWISE NOTED.
2. ALL MOTOR OPERATED VALVES ARE AC OPERATED UNLESS OTHERWISE NOTED.
3. ALL POSITION INDICATING LIGHTS ARE LOCATED IN THE CONTROL ROOM PANEL 2149-P600.
4. POSITION VALVES F001 AND F002 AS CLOSE AS POSSIBLE TO THE DRYWELL PENETRATION.
5. POSITION VALVES F004 AND F005 AS CLOSE AS POSSIBLE TO THE TORUS PENETRATION.
6. SYSTEM "A" SHOWN - SYSTEM "B" IDENTICAL EXCEPT WHERE NOTED.
7. ALL INSTRUMENTS AND SWITCHES SHOWN IN ARE LOCATED IN THE CONTROL ROOM PANEL 2149-P600.
8. ALL INSTRUMENTS AND SWITCHES SHOWN IN ARE LOCATED IN POWER CABINET 2149-P001 LOCATED IN REACTOR BUILDING EL. 203"-0".
9. ALL EQUIPMENT AND LOCAL INSTRUMENTS IN THE ATOMICS INTERNATIONAL SCOPE OF SUPPLY ARE LOCATED IN SKID 2149-Z001.
10. THE INSTRUMENT AND VALVE NUMBERS IN () ARE AS CALLED OUT BY ATOMICS INTERNATIONAL.
11. PIPING RUN FROM THE DRYWELL TO THE SKID SHALL BE SLOPED BACK TO THE DRYWELL.
12. PIPING RUN FROM THE SKID TO THE TORUS SHALL BE SLOPED TO THE TORUS.
13. SWITCHES AND LIGHTS INDICATED BY THIS NOTE ARE PART OF THE PRIMARY CONTAINMENT ISOLATION SYSTEM (PCIS SYSTEM MPL 2C61). ONE SET OF LIGHTS ON PANEL 2149-P600 AND THE OTHER SET IS ON GRAPHIC DISPLAY BENCHBOARD.
14. FIC-1, FY-1-1(V), FSL-1-1, FSL-1-2 ARE INTEGRAL PARTS OF FLOW CONTROLLERS 2149-FIC-R601A, B.
15. FIC-2, FY-2 (V), FSL-2-1, FSL-2-2 ARE INTEGRAL PARTS OF FLOW CONTROLLERS 2149-FIC R602A, B.
16. TIC-7, TSL-7, TSH-7 ARE INTEGRAL PARTS OF TEMPERATURE CONTROLLERS 2149-TIC R603A, B.
17. FIC-2 FLOW CONTROL LOOP (FT-2, FIC-2) IS ABANDONED IN PLACE. DEVICE, CONTROL AND LOOP POWER FUSES ARE REMOVED AND FV-2 IS LOCKED CLOSED.
18. SIGNAL CONVERTER USED FOR TRAIN "A" ONLY.

REFERENCES

REFERENCE	MPL NO.	DWG NO.
1. RHR SYSTEM P.&I.D. SHEET 1.	2E11-1010	H-26014
2. RHR SYSTEM P.&I.D. SHEET 2.	2E11-1010	H-26015
3. DIGITAL INPUT SIGNALS TO THE ERF COMPUTER SYS. I.E.D. SHEET 10 OF 15	2X75-1010	H-26278



BOUNDARY DIAGRAM NO.: 2T49-B01-01
FUNCTION(S) NO.: 2T49-01, 2C61-01
 PREPARED BY: William P. Evans
 DATE: 02/17/98
 REVIEWED BY: Ed Davidson
 DATE: 02/26/98

BOUNDARY DIAGRAM NO.: 2E11-B01-07
FUNCTION(S) NO.: 2E11-01
 PREPARED BY: Willie Jennings
 DATE: 02/02/98
 REVIEWED BY: William P. Evans
 DATE: 05/05/98

Revision: A Date: 11-22-99
 APPROVED. ISSUED PER LICENSE RENEWAL BOUNDARY PACKAGES. DRAWING CREATED FROM H-26068, REV 12; BY BKN.

MPL NO. 2T49-1010 LVN-F018 ACAD14 HL26068



LICENSE RENEWAL SCREENING FOR INFORMATION ONLY

EDWIN I. HATCH NUCLEAR PLANT UNIT No. 2
POST LOCA HYDROGEN RECOMBINER SYSTEM P.& I.D.

BY	CHK'D	APPR.	LOCATION	DOCUMENT NUMBER	REVISION
BKN	RLM	ASK	10-502	HL-26068	A