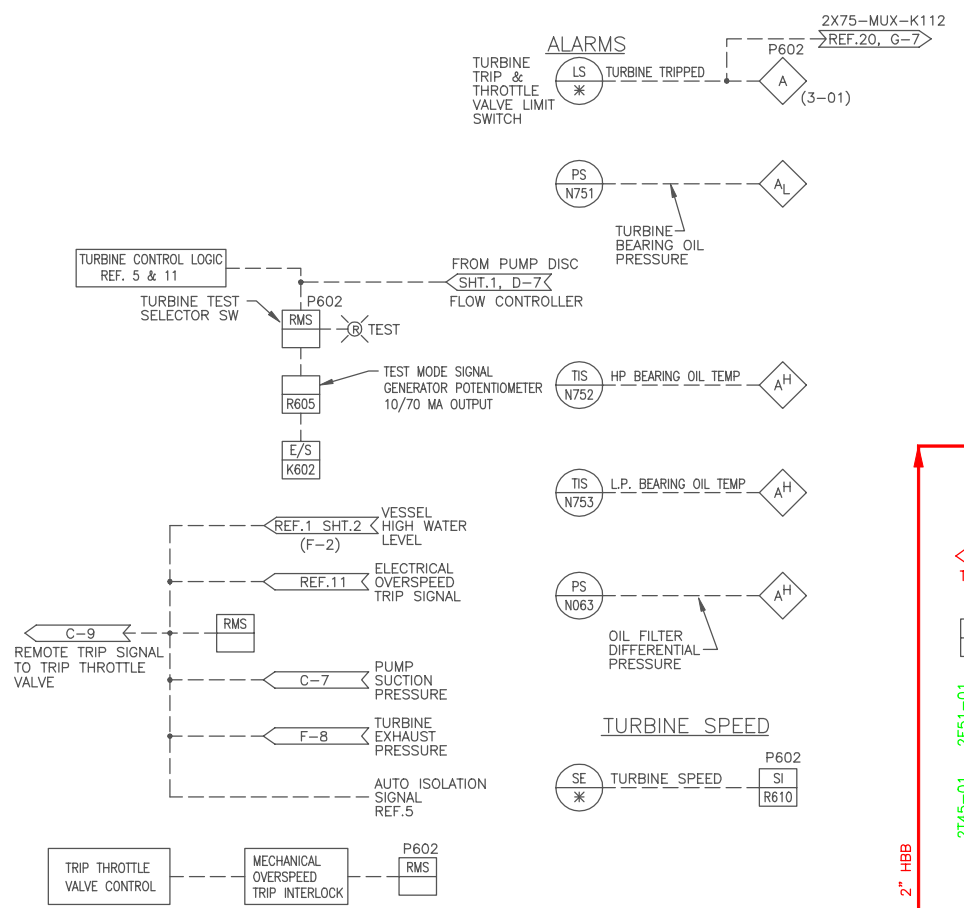
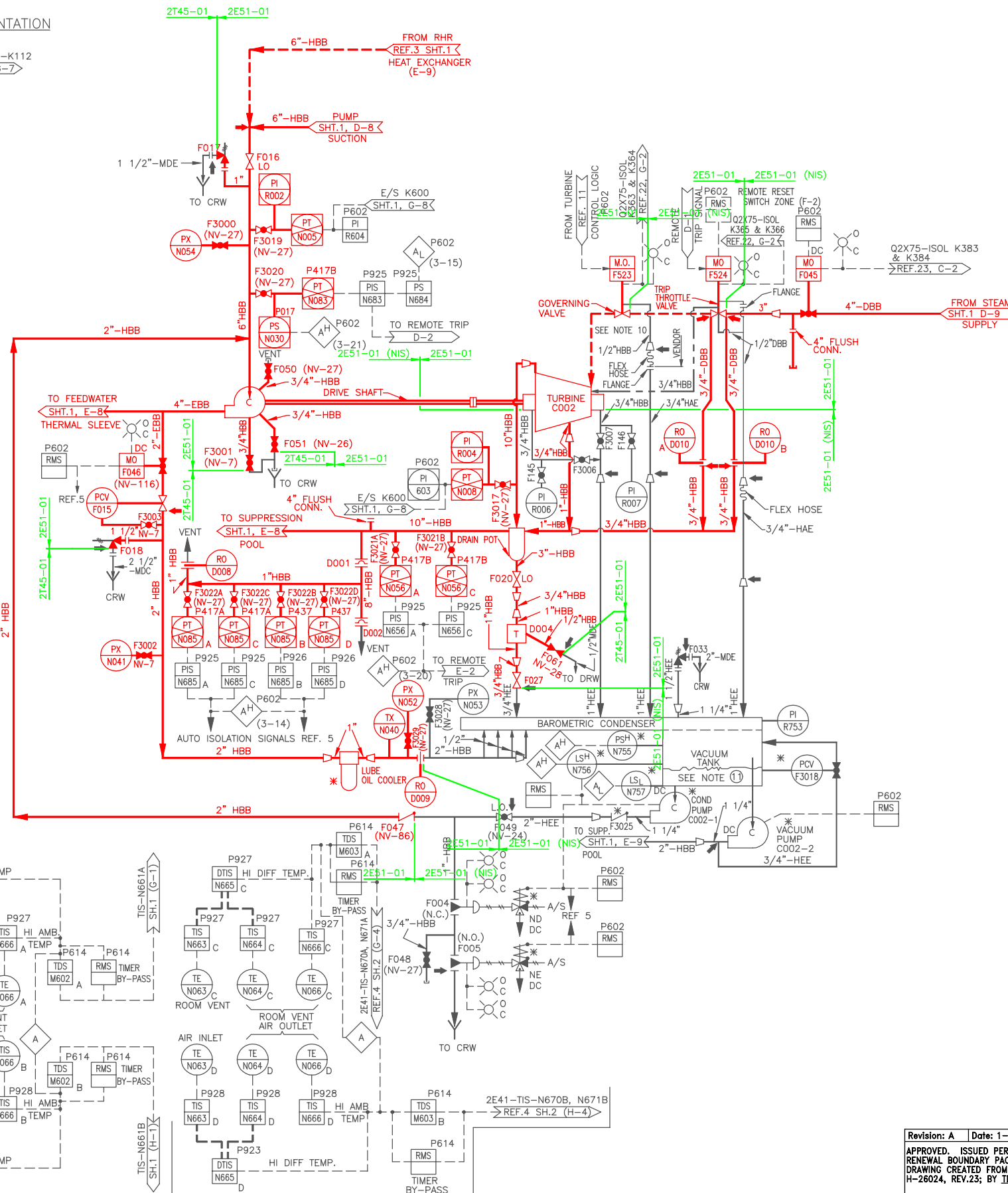
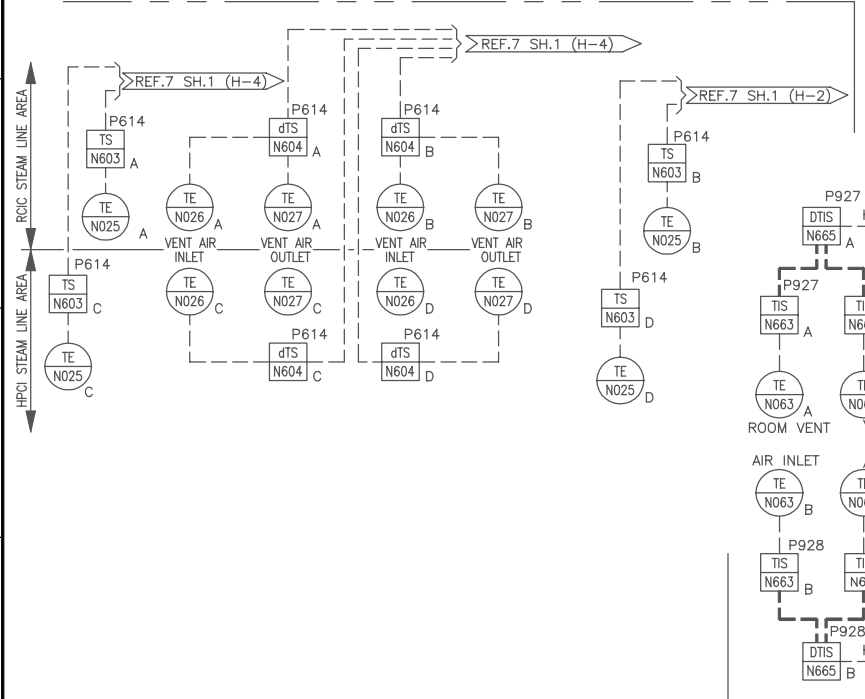


TURBINE CONTROL SYSTEM **TURBINE SUPERVISORY INSTRUMENTATION**



SUPPRESSION POOL AREA LEAK DETECTION SYS.
(SEE REF.6)



FOR NOTES AND REFERENCES SEE DWG. H-26023 SH.1

BOUNDARY DIAGRAM NO.: 2E51-B01-02
 FUNCTION(S) NO.: 2E51-01
 PREPARED BY: WAYNE LUNCFORD
 DATE: 5/8/98
 REVIEWED BY: WILLIAM P EVANS
 DATE: 5/8/98

LICENSE RENEWAL DOCUMENT

MPL NO. 2E51-1010 ACAD14 HL26024

SOUTHERN COMPANY

LICENSE RENEWAL SCREENING FOR INFORMATION ONLY

EDWIN I. HATCH NUCLEAR PLANT UNIT No.2
 RCIC SYSTEM
 P&ID SHEET 2

Revision: A Date: 1-4-2000
 APPROVED, ISSUED PER LICENSE RENEWAL BOUNDARY PACKAGES.
 DRAWING CREATED FROM H-26024, REV.23; BY IRM.

DATE	SCALE	LOCATION	DOCUMENT NUMBER	REVISION
10-502	None		HL-26024	A