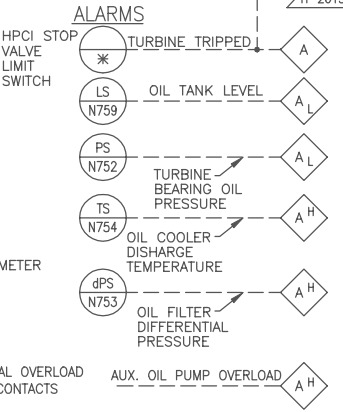
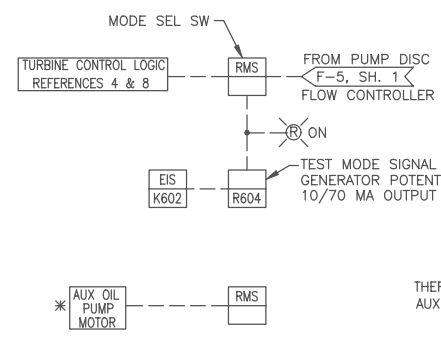
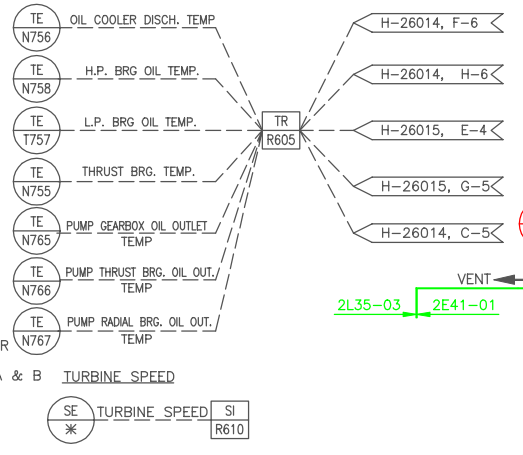


TURBINE SUPERVISORY INSTRUMENTATION

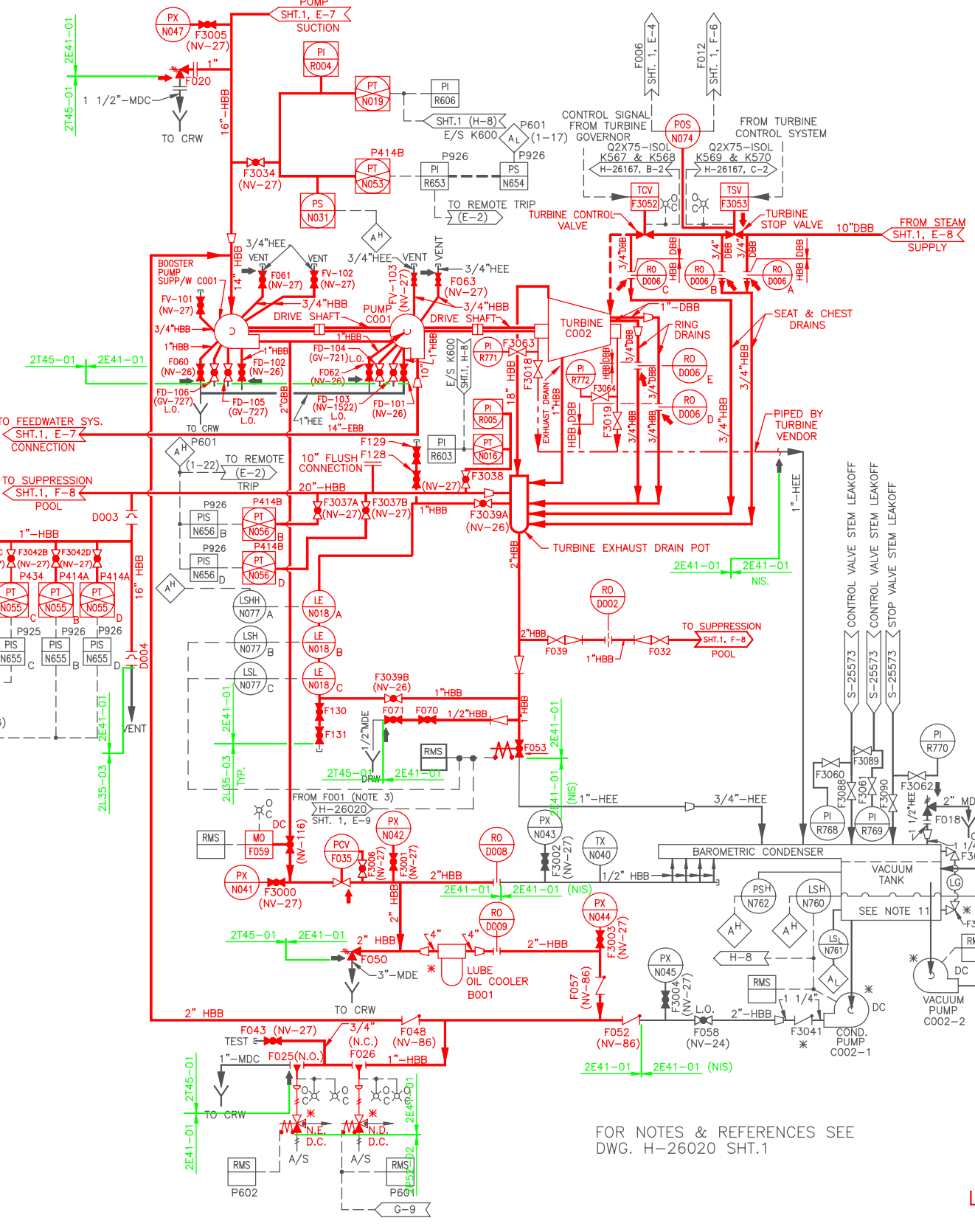
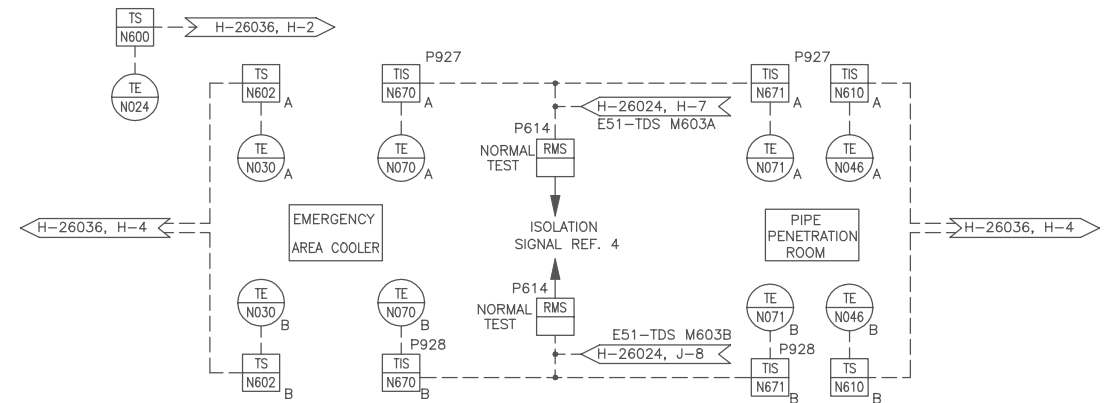
TURBINE HYDRAULIC CONTROL SYSTEM



TEMP RECORDING



HPCI EQUIP. AREA LEAK DETECTION SYS. (SEE S-25280)



FOR NOTES & REFERENCES SEE DWG. H-26020 SHT.1

BOUNDARY DIAGRAM NO.: 2E41-B01-02
 FUNCTION(S) NO.: 2E41-01
 PREPARED BY: Wayne Luncford
 DATE: 05/08/98
 REVIEWED BY: William P. Evans
 DATE: 05/08/98

LICENSE RENEWAL DOCUMENT

MPL NO. 2E41-1010 ACAD14 HL26021



LICENSE RENEWAL SCREENING FOR INFORMATION ONLY

EDWIN I. HATCH NUCLEAR PLANT UNIT No.2 HPCI SYSTEM P&ID SHEET 2

Revision: A Date: 11-02-99
 APPROVED, ISSUED PER LICENSE RENEWAL BOUNDARY PACKAGES. DRAWING CREATED FROM H-26021, REV. 25; BY BKN.

BY	CHK'D	APPR.	LOCATION	DOCUMENT NUMBER	REVISION
BKN	RLM	ASK	None	10-502	HL-26021