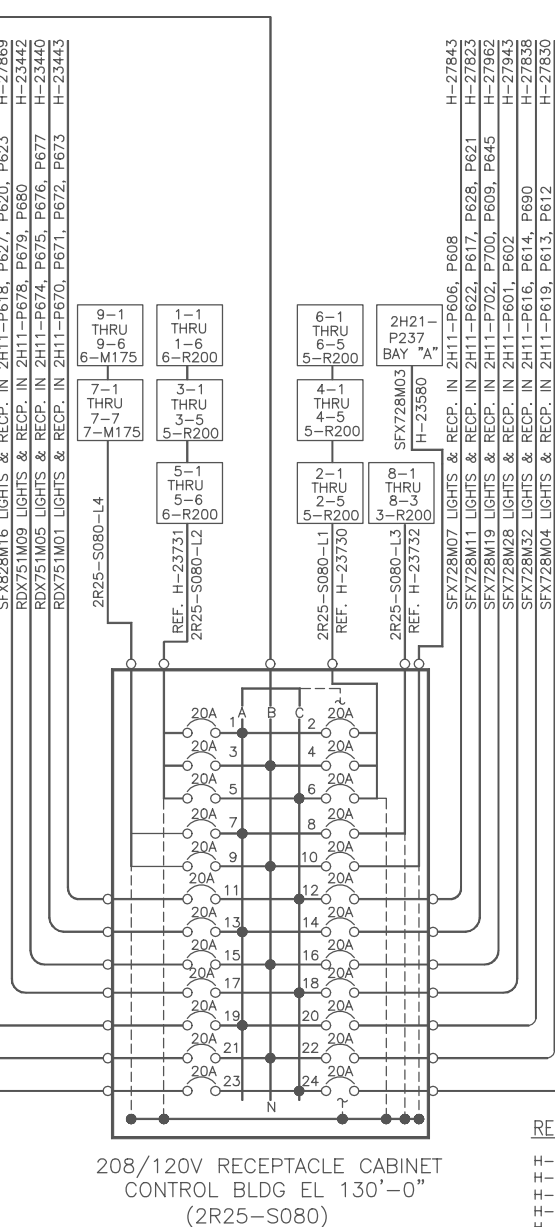
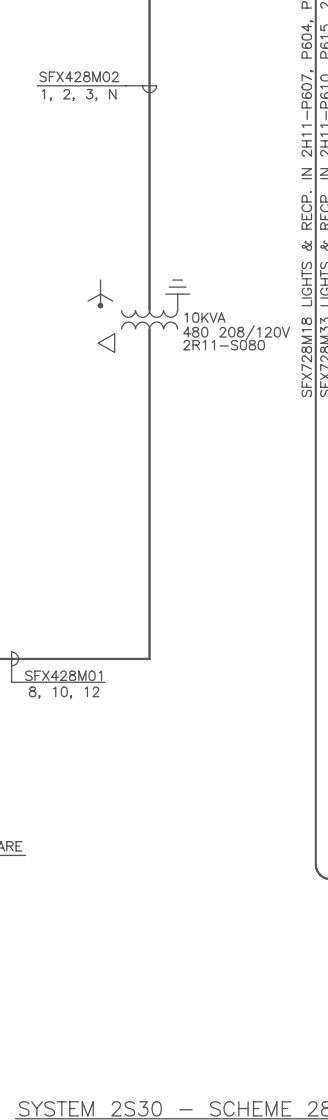
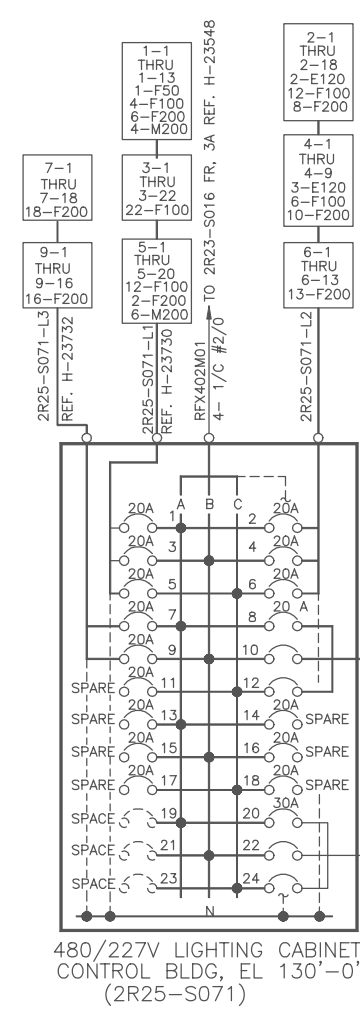
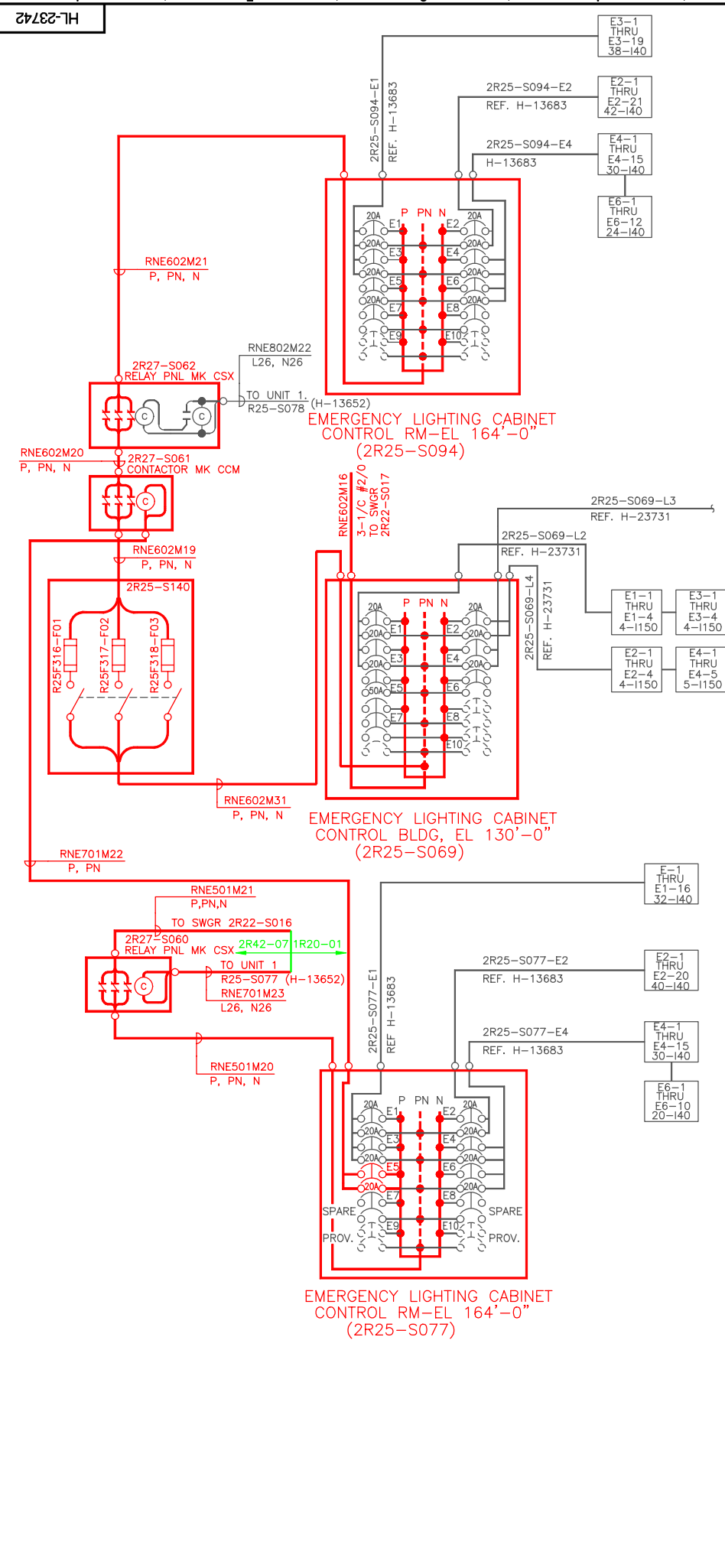


A
B
C
D
E
F
G
H
J



- SPECIFICATIONS**
- 2R25-S071**
- ENCLOSURE** WALL MOUNTED, BLACK CODE GAUGE SHEET STEEL. STANDARD CONSTRUCTION DUST RESISTING.
- PANEL** DEAD FRONT, DISTRIBUTION TYPE FOR MAINS WITH BURNDY HY-LUG TERMINALS FOR #2/0 AWG STRANDED COPPER CABLE, CIRCUIT BREAKERS TO BE RATED 20 AMPS UNLESS OTHERWISE SHOWN, CALIBRATED AT 40°C AND HAVE A MINIMUM INTERRUPTING CAPACITY OF 14,000 AMPS RMS. CARD HOLDERS TO BE PROVIDED FOR BREAKER IDENTIFICATION. WHERE PROVISION FOR FUTURE BREAKERS IS SHOWN, MANUFACTURER SHALL PROVIDE MOUNTING ASSEMBLY, STRAPS, ETC. SO THAT BREAKER CAN BE ADDED WITHOUT ADDITIONAL HARDWARE
- 2R25-S080**
- ENCLOSURE** SAME AS FOR PANEL 2R25-S071
- PANEL** SAME AS FOR PANEL 2R25-S071, EXCEPT 208/120V, 3Ø & 4 WIRE AND 100 AMP MAINS WITH BURNDY HY-LUG TERMINALS FOR #6 AWG STRANDED COPPER CABLE
- 2R25-S069**
- ENCLOSURE** WALL MOUNTED, BLACK CODE GAUGE SHEET STEEL. STANDARD CONSTRUCTION DUST RESISTING.
- PANEL** DEAD FRONT, DISTRIBUTION TYPE FOR 250/125 V DC, 3 WIRE AND 100 AMP MAINS WITH BURNDY HY-LUG TERMINALS FOR #2/0 AWG STRANDED COPPER CABLE, CIRCUIT BREAKERS TO BE RATED 20 AMPS UNLESS OTHERWISE SHOWN, CALIBRATED AT 40° C AND HAVE A MINIMUM INTERRUPTING CAPACITY OF 14,000 AMPS. RMS CARD HOLDERS TO BE PROVIDED FOR BREAKER IDENTIFICATION. WHERE PROVISION FOR FUTURE BREAKER IS SHOWN, MANUFACTURER SHALL PROVIDE MOUNTING ASSEMBLY, STRAPS, ETC. SO THAT BREAKER CAN BE ADDED WITHOUT ADDITIONAL HARDWARE.
- 2R25-S077**
- ENCLOSURE** SAME AS FOR 2R25-S069
- PANEL** SAME AS FOR 2R25-S069 EXCEPT IT HAS #2/0 AWG INSTEAD OF #1.
- 2R25-S094**
- ENCLOSURE** SAME AS FOR 2R25-S069 EXCEPT IT HAS #2/0 AWG INSTEAD OF #1.
- PANEL** SAME AS FOR 2R25-S069
- NOTES**
- 2R25-S069 POSITION 9 IS A SINGLE SPACE

- REF. DWGS**
- H-23730 LIGHTING, CONTROL BLDG. EL 112'-0"
 - H-23731 LIGHTING, CONTROL BLDG. EL 130'-0"
 - H-23732 LIGHTING, CONTROL BLDG. EL 147'-0"
 - H-23738 RISER DIAGRAM
 - H-23741 LIGHTING WIRING DIAGRAMS SHEET NO.2 CABINETS 2R25-S075 / 2R25-S076
 - H-24769 10CFR50 APPENDIX R EMERGENCY LIGHTING CONTROL BUILDING EL. 130'-0" EAST
 - H-23240 CONDUIT PLAN - CONTROL BLDG EL 130' COL TA-T1 & T12-T14
 - H-23390 SHEET #1 SINGLE LINE DIA 125/250V DC STATION SERV. SYS. 2R42A
 - H-23607 WIRING DIA. 125/250 DC SWGR BUS-2B FR-2
 - H-23737 RISER DIA LTG & MISC PWR PNL. & TRANS.
 - A-20183 PANEL LOAD LIST FOR 2R25-S069
 - A-20184 PANEL LOAD LIST FOR 2R25-S071
 - A-20189 PANEL LOAD LIST FOR 2R25-S077
 - A-20190 PANEL LOAD LIST FOR 2R25-S080
 - A-20192 PANEL LOAD LIST FOR 2R25-S094
 - H-13683 LIGHTING-CONTROL ROOM EL 164' FLOOR PLAN
 - H-23810 125/250V DC. AND 480/277-120/200V AC DIST PANELS 2R25-S069, S071, S080 AND S094 SINGLE LINE DWG.
 - B-23390 125/250V STATION BATTERY SYS 2R42A BLOCK DIA.

BOUNDARY DIAGRAM NO.:2R42-B01-03

FUNCTION(S) NO.: 2R42-07

PREPARED BY: MARK CRISLER

DATE: 4/16/98

REVIEWED BY: RENEE RITCHEY

DATE: 4/28/98

LICENSE RENEWAL DOCUMENT

MPL. NO. 2R25 ACAD14 HL23742



LICENSE RENEWAL SCREENING FOR INFORMATION ONLY

EDWIN I. HATCH NUCLEAR PLANT UNIT No. 2 LIGHTING - WIRING DIAGRAM CONTROL BUILDING CABINETS 2R25-S069, S071, S077, S080 & S094

Revision: A Date: 1-4-2000

APPROVED, ISSUED PER LICENSE RENEWAL BOUNDARY PACKAGES. DRAWING CREATED FROM H-23742, REV.11; BY TRM.

BY	CHKD	APPR	DATE	SCALE	LOCATION	DOCUMENT NUMBER	REVISION
TRM	RBR	ASK		None	10-502	HL-23742	A