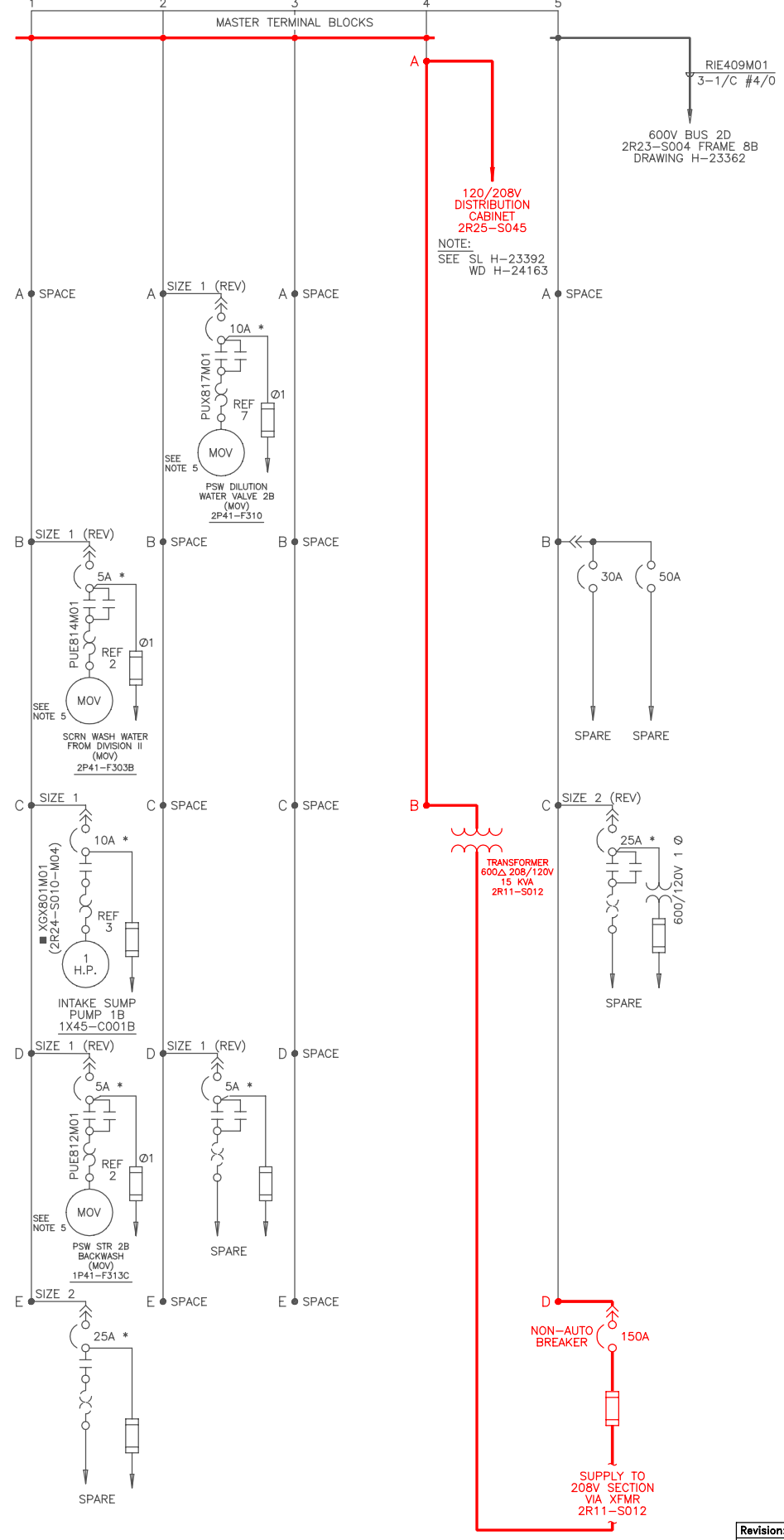
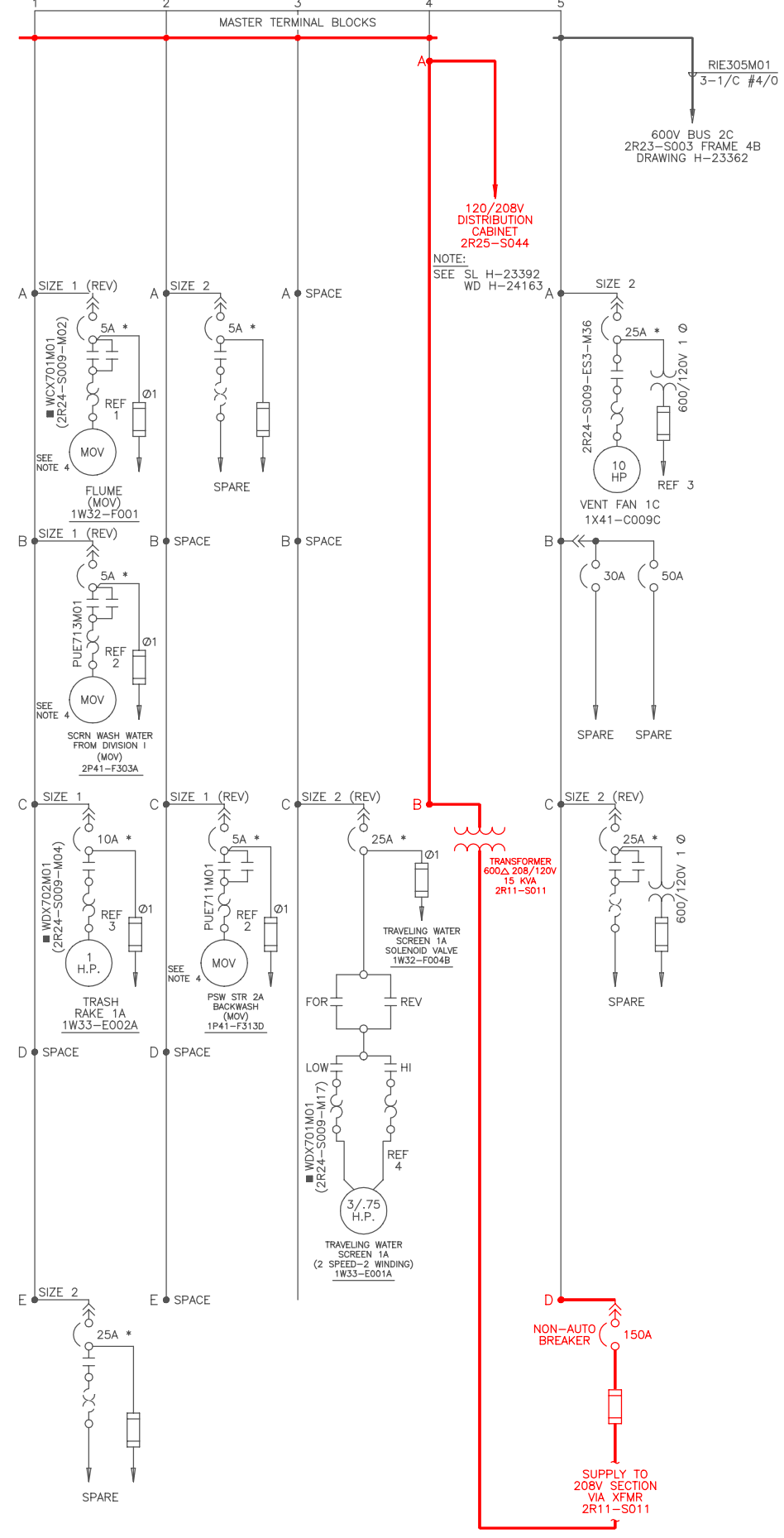


INTAKE STRUCTURE
600-208V MCC-2A (2R24-S009)

INTAKE STRUCTURE
600-208V MCC-2B (2R24-S010)



- NOTES:
- 1.* CONTINUOUS RATING FOR MAGNETIC BREAKER WITH ADJUSTABLE INSTANTANEOUS TRIP RANGE.
 2. ■ DENOTES CABLES INSTALLED WITH UNIT 1 CABLE DESCRIPTIONS AND ARE TO BE RETAGED AS SHOWN.
 3. REFER TO THE MASTER FUSE LIST FOR FUSE DESIGN INFORMATION.
 4. SEE MCC DATA SHEET B-23026 FOR MOTOR DATA.
 5. SEE MCC DATA SHEET B-23027 FOR MOTOR DATA.

- REFERENCES:
1. H-13388 ELEMENTARY DIAGRAM PLANT SERVICE WATER MO VALVES
 2. H-23696 ELEMENTARY DIAGRAM PLANT SERVICE WATER MO VALVES SYSTEM 2P41 SHEET 2 OF 3
 3. H-13610 ELEMENTARY DIAGRAM MISC PUMPS, VALVES AND EQUIPMENT SHEET 1 OF 2
 4. H-13579 ELEMENTARY DIAGRAM MISC PUMPS, VALVES AND EQUIPMENT SHEET 2 OF 2
 5. H-23392 SINGLE LINE DIAGRAMS INTAKE STRUCTURE 120/208V MISC POWER PANELS 2R25-S044 & 2R25-S045
 6. H-23362 SINGLE LINE DIAGRAM 600V BUS 2C AND 2D
 7. H-23697 ELEMENTARY DIAGRAM PLANT SERVICE WATER MO VALVES SYSTEM 2P41 SHEET 3 OF 3
 8. H-23650 WIRING DIAGRAM INTAKE STRUCTURE 600/208V MCC-2A FRAMES 1, 2 AND 3 2R24-S009
 9. H-23651 WIRING DIAGRAM INTAKE STRUCTURE 600/208V MCC-2A FRAMES 4 AND 5 2R24-S009
 10. H-23652 WIRING DIAGRAM INTAKE STRUCTURE 600/208V MCC-2B FRAMES 1, 2 AND 3 2R24-S010
 11. H-23653 WIRING DIAGRAM INTAKE STRUCTURE 600/208V MCC-2B FRAMES 4 AND 5 2R24-S010
 12. B-23010 FRONT VIEW INTAKE STRUCTURE 600/208V MCC-2A CLASS 1E 2R24-S009
 13. B-23026 MOTOR CONTROL CENTER EQUIPMENT LIST INTAKE STRUCTURE 600/208V MCC-2A 2R24-S009 CLASS 1E 208V SECTION
 14. B-23011 FRONT VIEW INTAKE STRUCTURE 600/208V MCC-2B CLASS 1E 2R24-S010
 15. B-23027 MOTOR CONTROL CENTER EQUIPMENT LIST INTAKE STRUCTURE 600/208V MCC-2B 2R24-S010 CLASS 1E 208V SECTION
 16. H-24047 WIRING DIAGRAM 600V SWITCHGEAR 2R23-S004 BUS 2D FRAME B
 17. A-20103 LOAD LIST INTAKE STRUCTURE MCC 2A (2R24-S009)
 18. A-20104 LOAD LIST INTAKE STRUCTURE MCC 2B (2R24-S010)
 19. A-20175 LOAD LIST INTAKE STRUCTURE 120/208V DISTRIBUTION CABINET (2R25-S044)
 20. A-20176 LOAD LIST INTAKE STRUCTURE 120/208V DISTRIBUTION CABINET (2R25-S045)

BOUNDARY DIAGRAM NO.: 2R20-B01-10
 FUNCTION(S) NO.: 2R20-01
 PREPARED BY: MARK CRISLER
 DATE: 4/6/98
 REVIEWED BY: RENEE RITCHEY
 DATE: 4/28/98

LICENSE RENEWAL DOCUMENT

MPL NO. R24 ACAD14 HL23380



LICENSE RENEWAL SCREENING FOR INFORMATION ONLY

EDWIN I. HATCH NUCLEAR PLANT UNIT No. 2
SINGLE LINE DIAGRAM - INTAKE STRUCTURE
600-208V MCC 2A AND 2B
MPL'S 2R24-S009 AND 2R24-S010

Revision: A Date: 12-30-99
APPROVED, ISSUED PER LICENSE RENEWAL PACKAGE.
DRAWING CREATED FROM H-23380, REV.15; BY TRM.

BY	CHK'D	APP'R
TRM	RBR	ASK

DRAWN	DESIGNED	LOCATION	DOCUMENT NUMBER	REVISION
TRM	LCF	SCALE	10-502	HL-23380
DATE	None			A