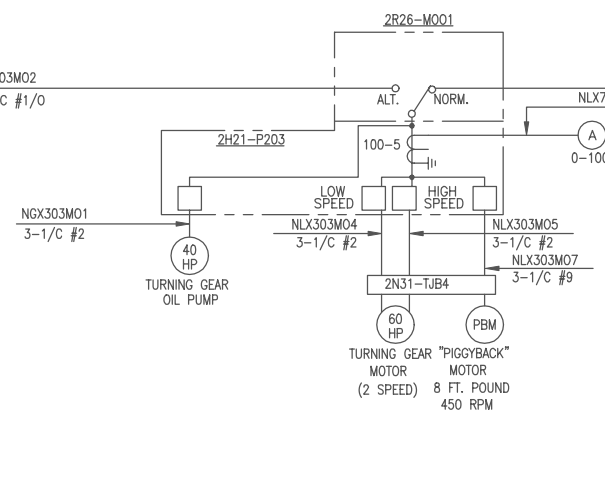
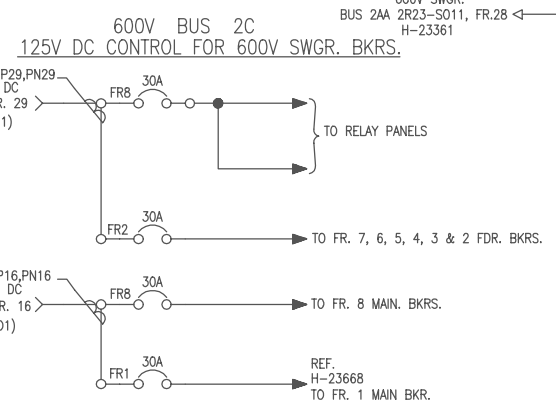
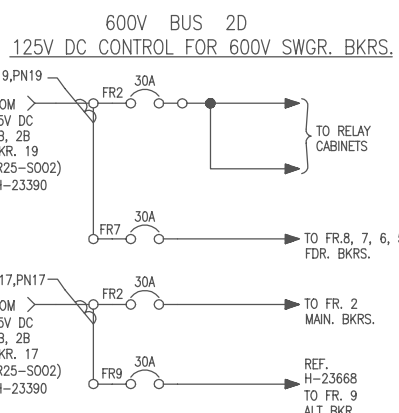
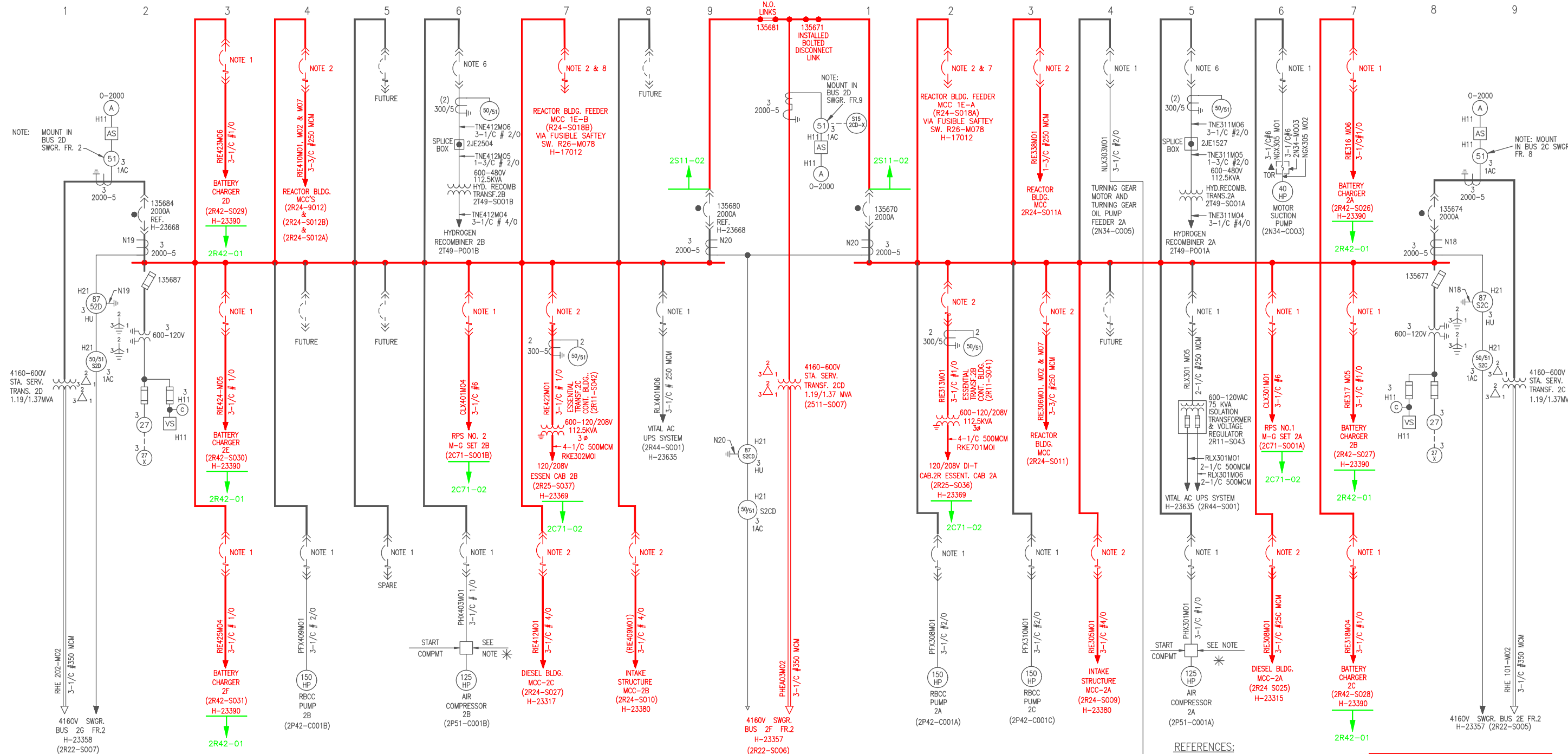


600V BUS 2D
2R23-S004
ESS DIV. II

600V BUS 2C
2R23-S003
ESS DIV. I



REFERENCES:
 H-23350 MASTER SINGLE LINE DIAGRAM
 H-23352 SINGLE LINE DIAGRAM-EMERG. STA. SERV.
 S-51195 600V SWGR OVERCURRENT TRIP ELEMENTS
 S-51196 600V SWGR OVERCURRENT TRIP ELEMENTS

BOUNDARY DIAGRAM NO.: 2R20-B01-05
FUNCTION(S) NO.: 2R20-01
PREPARED BY: MARK CRISLER
DATE: 08-18-99
REVIEWED BY: RENEE RITCHIEY
DATE: 08-18-99

- NOTES & LEGEND:**
- THESE BREAKERS HAVE MICRO-VERSA-TRIP RMS-9 O.C. TRIP DEVICES INSTALLED. REFERENCE B-51195 SH. 1 OF 2 (BUS 2C) AND B-51196 SH. 1 OF 2 (BUS 2D) FOR TRIP DEVICE RATINGS AND SET POINTS.
 - THESE BREAKERS HAVE THE MICRO-VERSA-TRIP O.C. DEVICES INSTALLED. REFERENCE B-51195 SH. 2 OF 2 (BUS 2C) AND B-51196 SH. 2 OF 2 (BUS 2D) FOR TRIP DEVICE RATINGS AND SET POINTS.
 - FOR ADDITIONAL BKRR SETTING INFO. SEE PLANT PROCEDURE 52PM-MEL-012-05 (EXCEPT BKRRS WITH ●).
 - ▲ THERMAL OVERLOAD RELAY USED FOR ALARM ONLY. MOUNT NEAR MOTOR. H11 EQUIPMENT LOCATED IN MAIN CONTROL.
 - FOR ADDITIONAL BKRR. SETTING INFO. SEE PROTECTION ENGRG DEPT. PLANT HATCH RELAYING DATA SHEETS.
 - * REFER TO VENDOR DWG. S-52065.
 - REFER TO THE MASTER FUSE LIST FOR FUSE DESIGN INFORMATION.
 - THESE BREAKERS DO NOT CONTAIN TRIP UNITS.
 - THE BREAKER REMOVED FROM 600V SWGR. BUS 1C (R23-S003) FR. 4M WILL BE INSTALLED IN FR. 2T OF SWGR BUS 2C (2R23-S003).
 - THE BREAKER REMOVED FROM 600V SWGR. BUS 1D (R23-S004) FR. 4M WILL BE INSTALLED IN FR. 7T OF SWGR BUS 2D (2R23-S004).

Revision: A Date: 1-7-2000
 APPROVED. ISSUED PER LICENSE RENEWAL BOUNDARY PACKAGES. DRAWING CREATED FROM H23362, REV. 34; BY ECB

LICENSE RENEWAL DOCUMENT
 MPL NO. 2R23 ACAD14 HL23362

SOUTHERN COMPANY

LICENSE RENEWAL SCREENING FOR INFORMATION ONLY

EDWIN I. HATCH NUCLEAR PLANT UNIT No.2
 SINGLE LINE DIAGRAM
 600V BUS 2C & 2D

DATE	SCALE	LOCATION	DOCUMENT NUMBER	REVISION
1-16-73	None	10-502	HL-23362	A